

# SHIMANO®

**SHIMANO EUROPA**

Industrieweg 24 NL-8071 CT Nunspeetâ Holland  
Phone 31-3412-72222

**SHIMANO AMERICAN CORPORATION**

One Holland Irvine CA 92618 U.S.A.  
Phone 949-951-5003

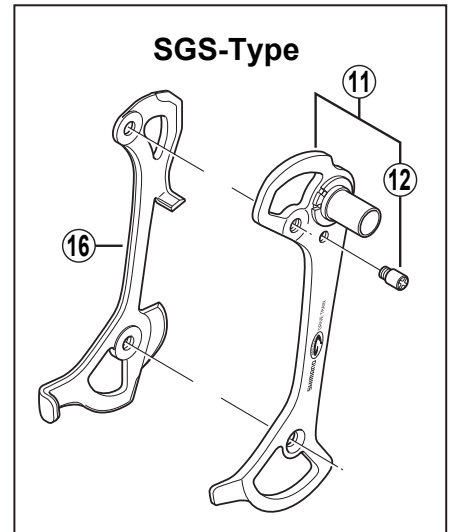
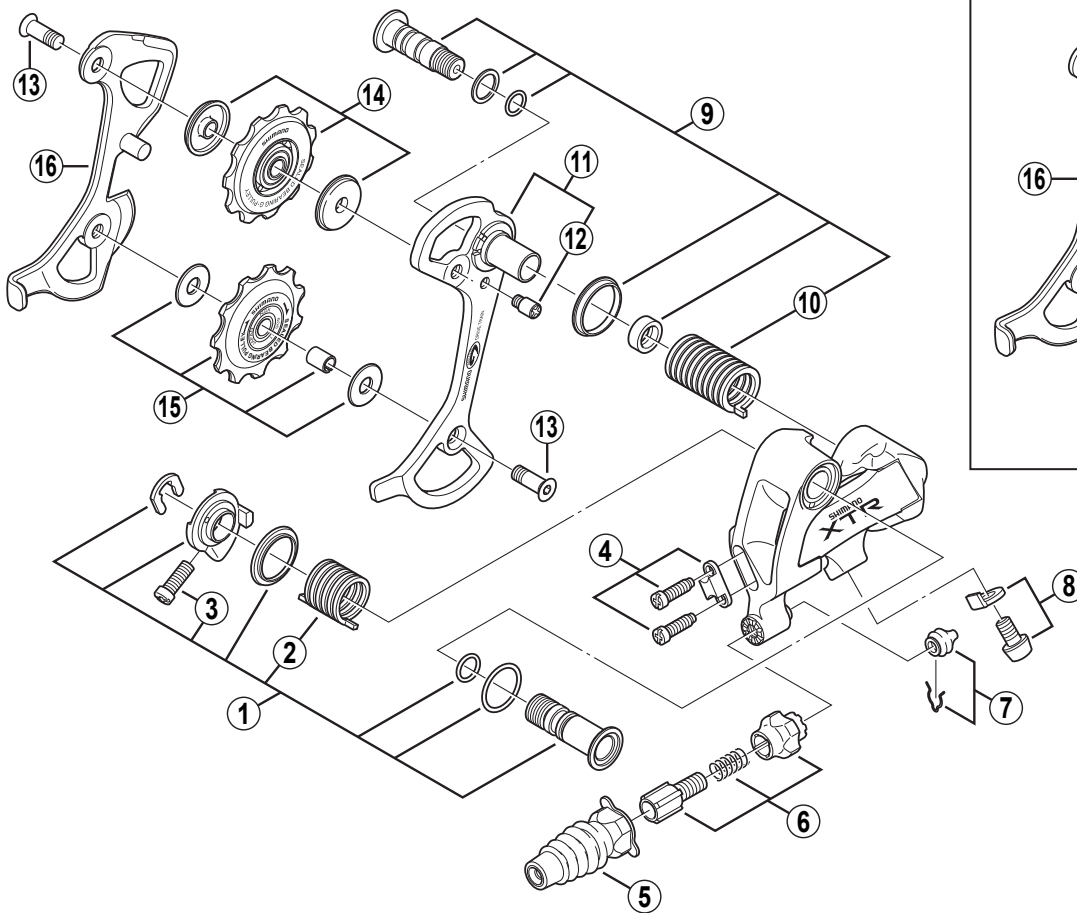
## Spare parts list for after market.

- You may photocopy this sheet and use it as an order form.
- Sie können dieses Blatt kopieren und als Bestellformular verwenden.
- Vous pouvez photocopier cette feuille et l'utiliser comme bon de commande.
- Dit blad kan gecopieerd en als bestelformulier gebruikt worden.
- Potete fotocopiare questo foglio e usarlo come modulo di commissione.

### SHIMANO XTR Rear Derailleur (9-Speed)

## RD-M952 Middle Cage

## RD-M952-SGS Super Long Cage



Q'TY	ITEM NO.	SHIMANO CODE NO.	DESCRIPTION
	1	Y-5TM98010	B-Axle Assembly
	2	Y-53N 12000	B-Tension Spring
	3	Y-53M21000	B-Tension Adjusting Screw (M4 x 12)
	4	Y-53M98030	Stroke Adjusting Screws (M4 x 13.5) & Plate
	5	Y-5TN 13000	Cable Adjusting Rubber Cover
	6	Y-5TJ 98030	Cable Adjusting Bolt Unit
	7	Y-5TP 98030	Rubber Boot & Stop Ring
	8	Y-53M98050	Cable Fixing Bolt (M5 x 8) & Plate
	9	Y-53M98060	Plate Axle Assembly
	10	Y-53M17010	P-Tension Spring
	11	Y-5TM98020	Outer Plate (Middle Type) & Plate Stopper Pin
		Y-5TM98030	Outer Plate (SGS-Type) & Plate Stopper Pin
	12	Y-559 19100	Plate Stopper Pin
	13	Y-53M24000	Pulley Bolt
	14	Y-53N 98080	Guide Pulley Unit
	15	Y-53N 98090	Tension Pulley Unit
		Y-5TM98040	Inner Plate (Middle Type)
		Y-5TP 10200	Inner Plate (SGS-Type)