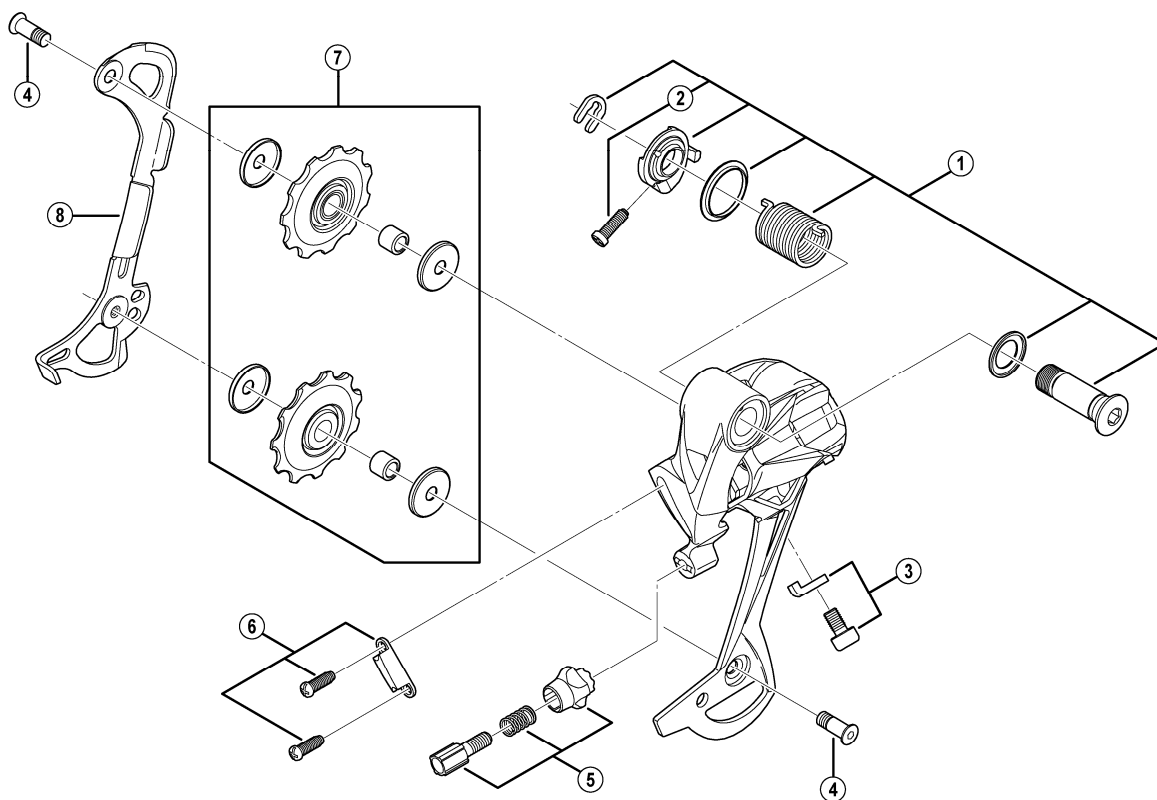


ACERA Rear Derailleur

**RD-M390-S** Silver Version

**RD-M390-L** Black Version



RD-M430

RD-M360

ITEM NO.	SHIMANO CODE NO.	DESCRIPTION	INTERCHANGEABILITY		
			RD-M430	RD-M360	
1	Y5XG98010	B-Axle Assembly	A		
2	Y5T822000	B-Tension Adjusting Screw (M4 x 12)	A	A	
3	Y5XL98010	Cable Fixing Bolt & Plate			
4	Y5XG16100	Pulley Bolt			
5	Y5XG98040	Cable Adjusting Bolt Unit	A		
6	Y5XL98020	Stroke Adjusting Screws (M4 x 11.5) & Plate			
7	Y5XG98060	Tension & Guide Pulley Unit	A		
8	Y5XG10010	Inner Plate	A		

A: Same parts.

B: Parts are usable, but differ in materials, appearance, finish, size, etc.

Absence of mark indicates non-interchangeability.

Feb.-2011-3216

© Shimano Inc. A

Specifications are subject to change without notice.

**SHIMANO**