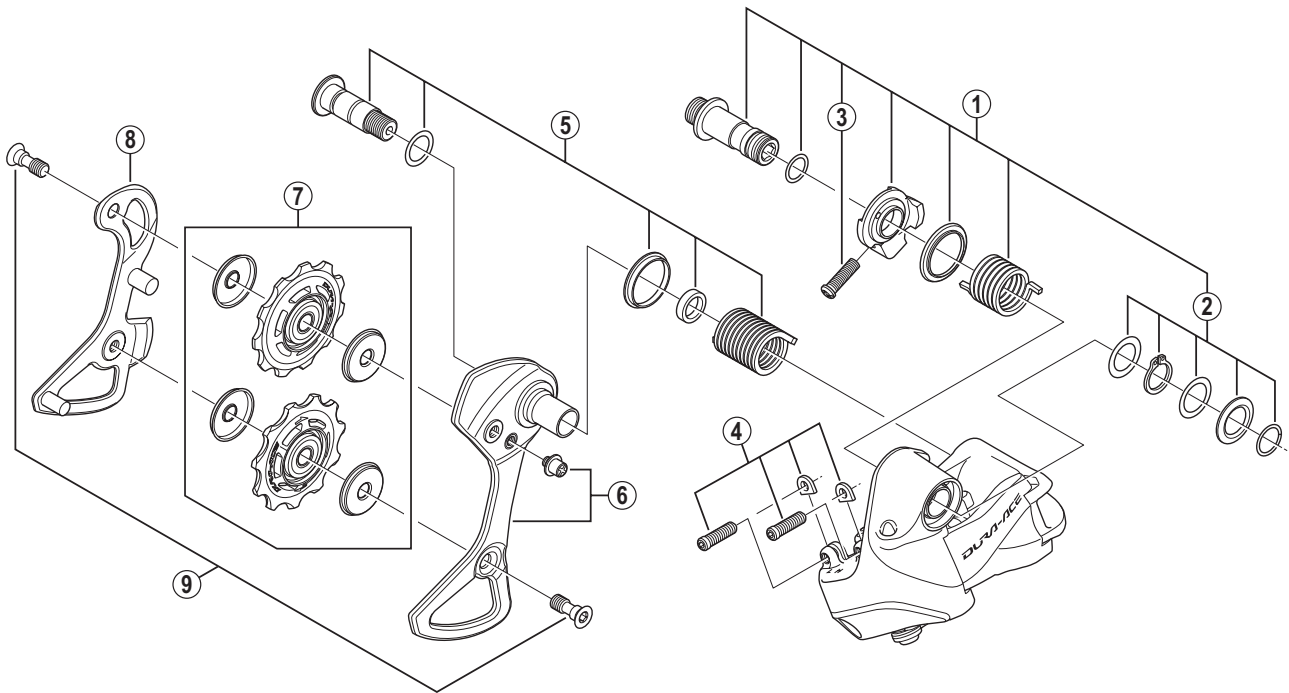


DURA-ACE Rear Derailleur (11-Speed)

RD-9070-SS Short Cage



RD-9070

ITEM NO.	SHIMANO CODE NO.	DESCRIPTION	INTERCHANGEABILITY
1	Y5Y898010	B-Axle Assembly	
2	Y5Y898020	B-Axle Cap Unit	
3	Y53M21000	B-Tension Adjusting Screw (M4 x 12)	
4	Y5X298020	Stroke Adjusting Screws (M4 x 13.5) & Plates	A
5	Y5Y898030	Plate Axle Assembly	
6	Y5Y898040	Outer Plate & Plate Stopper Pin	
7	Y5Y898060	Tension & Guide Pulley Set	
8	Y5Y898070	Inner Plate	
9	Y5XX98130	Pulley Bolt (2 pcs.)	

A: Same parts.

B: Parts are usable, but differ in materials, appearance, finish, size, etc.

Absence of mark indicates non-interchangeability.

Mar.-2013-3442

© Shimano Inc. I

Specifications are subject to change without notice.

SHIMANO