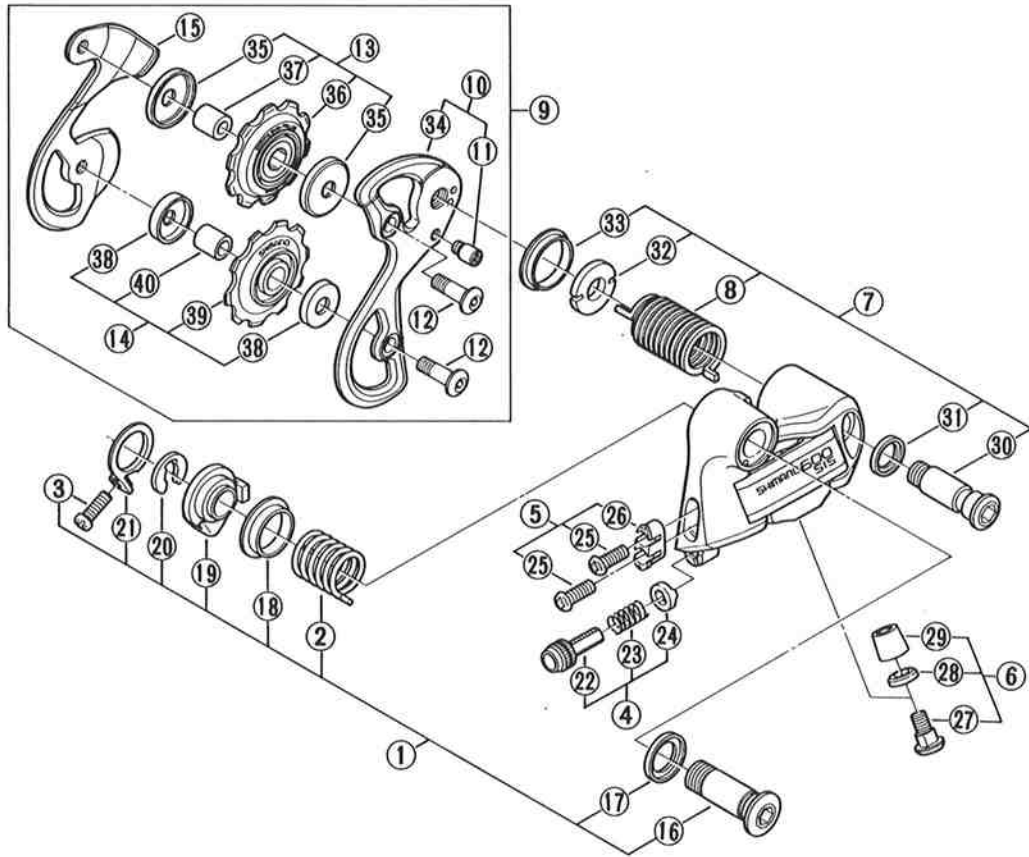




SHIMANO (EUROPA) GmbH.
Im Hülsenfeld 13 4010 Hilden,
West Germany Tel. 02103-5005-0

- You may photocopy this sheet and use it as an order form.
- Sie können dieses Blatt kopieren und als Bestellformular verwenden.
- Vous pouvez photocopier cette feuille et l'utiliser comme bon de commande.
- Dit blad kan gecopieerd en als bestelformulier gebruikt worden.
- Potete fotocopiare questo foglio e usarlo come modulo di commissione.

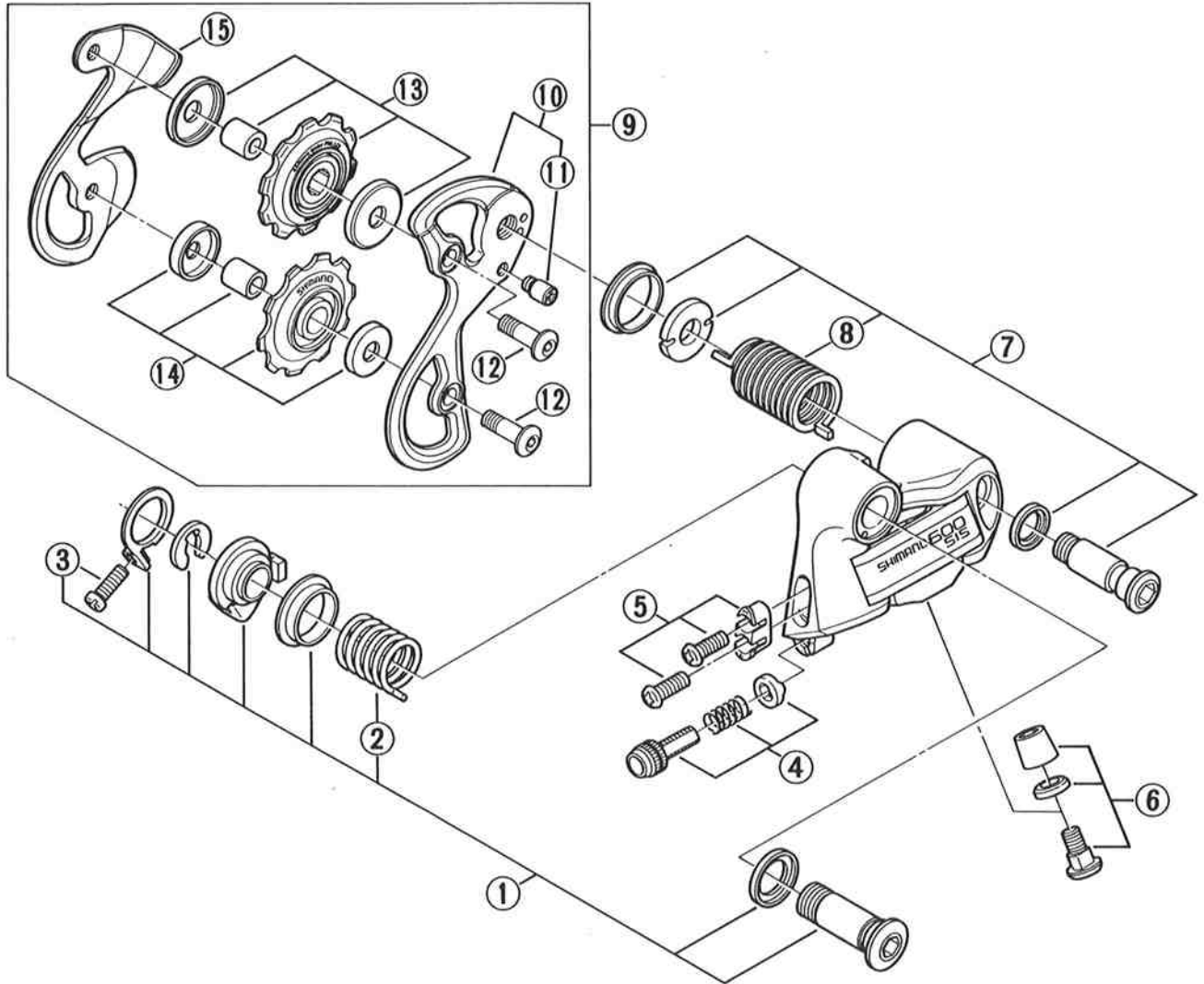
RD-6208 Rear Derailleur SHIMANO 600EX



ITEM NO.	PART NO.	DESCRIPTION	Q'TY
* 1	3-559 9801-1	Bracket Axle Assembly	
2	516 3400	B-Tension Spring	
3	000 1012	B-Tension Adjusting Bolt	
4	3-559 9802	Cable Adjusting Barrel Unit	
5	3-559 9803	Stroke Adjusting Screw & Plate	
6	3-546 9803	Cable Fixing Bolt Unit	
7	3-559 9805	Plate Axle Assembly	
8	563 5400	P-Tension Spring	
9	3-559 9806	Pulley Plate Assembly	
10	3-559 9807	Outer Plate & Plate Stopper Screw	
11	559 1900	Plate Stopper Screw	
12	569 5400	Pulley Bolt	
13	3-559 9808	Guide Pulley Unit	
14	3-546 9806	Tension Pulley Unit	
15	559 2000	Inner Plate	
16	516 0200	Bracket Axle	
17	516 0300	Bracket Axle Collar	
18	516 0400	B-Seal Ring	
*19	3-560 9821	Bracket Axle Bushing	
20	516 0700	Stop Ring (φ6.5mm)	
*21	516 0800	B-Tension Adjusting Plate	
22	559 0300	Cable Adjusting Barrel	
23	559 0500	Cable Adjusting Spring	
24	559 0400	Cable Adjusting Plate	
25	542 0500	Stroke Adjusting Screw	
26	559 0200	Stroke Adjusting Plate	
27	546 2100	Cable Fixing Bolt	
28	567 0700	Cable Fixing Plate	
29	546 2200	Cable Fixing Nut	
30	559 0700	Plate Mounting Bolt	
31	559 0800	Plate Mounting Collar A	
32	559 0900	Plate Mounting Collar B	
33	559 1000	P-Seal Ring	
34	559 1800	Outer Plate	
35	545 2802	Guide Pulley Cap	
36	3-559 9810	Guide Pulley	
37	559 2300	Guide Pulley Bushing	
38	511 2701	Tension Pulley Cap	
39	521 3100	Tension Pulley	
40	511 2900	Tension Pulley Bushing	

受前 62.12.15

RD-6208 Rear Derailleur
 SHIMANO 600EX



ITEM NO.	PART NO.	DESCRIPTION	Q'TY
* 1	559 9801-1	Bracket Axle Assembly	
2	516 3400	B-Tension Spring	
3	000 1012	B-Tension Adjusting Bolt	
4	559 9802	Cable Adjusting Barrel Unit	
5	559 9803	Stroke Adjusting Screw & Plate	
6	546 9803	Cable Fixing Bolt Unit	
7	559 9805	Plate Axle Assembly	
8	563 5400	P-Tension Spring	
9	559 9806	Pulley Plate Assembly	
10	559 9807	Outer Plate & Plate Stopper Screw	
11	559 1900	Plate Stopper Screw	
12	569 5400	Pulley Bolt	
13	559 9808	Guide Pulley Unit	
14	546 9806	Tension Pulley Unit	
15	559 2000	Inner Plate	