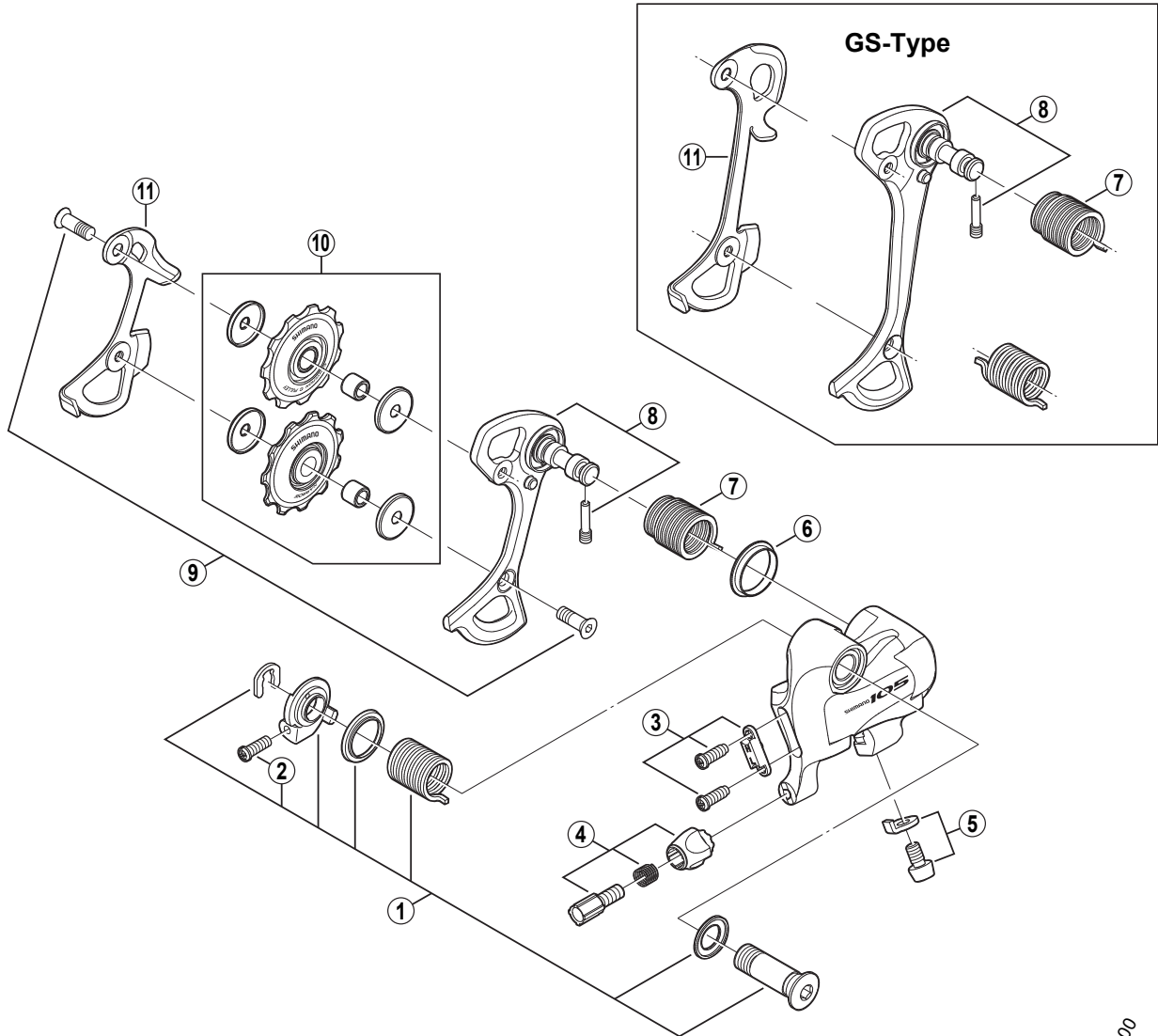


SHIMANO 105 Rear Derailleur (10-Speed)

**RD-5600-SS/GS** Silver Version

**RD-5600-L-SS/GS** Black Version



RD-6600  
RD-5501

ITEM NO.	SHIMANO CODE NO.	DESCRIPTION	INTERCHANGEABILITY	
1	Y-5VN 98010	B-Axle Assembly (SS-Type)	B	
	Y-5VN 98020	B-Axle Assembly (GS-Type)	B	
2	Y-556 25020	B-Tension Adjusting Screw (M4 x 12)	A	
3	Y-5VA 98020	Stroke Adjusting Screws (M4 x 11.5) & Plate	A	B
4	Y-5VN 98030	Cable Adjusting Bolt Unit	B	B
5	Y-5VN 98040	Cable Fixing Bolt (M5 x 8.5) & Plate	B	B
6	Y-5UC 14000	P-Seal Ring	A	A
	Y-5VG 14000	P-Tension Spring (SS-Type)	A	
7	Y-5VG 15000	P-Tension Spring (GS-Type)	A	
	Y-5VN 98050	Outer Plate Assembly (SS-Type)	B	
8	Y-5VN 98060	Outer Plate Assembly (GS-Type)	B	
	Y-5V5 98140	Pulley Bolt (2 pcs.)	A	A
9	Y-5VN 98090	Tension & Guide Pulley Set	B	A
	Y-5V5 08100	Inner Plate (SS-Type)	A	B
11	Y-5VG 09000	Inner Plate (GS-Type)	A	

A: Same parts.

B: Parts are usable, but differ in materials, appearance, finish, size, etc.

Absence of mark indicates non-interchangeability.

0804-2452A

Specifications are subject to change without notice.

**SHIMANO**