

SHIMANO

SHIMANO EUROPA

Industrieweg 24 NL-8071 CT Nunspeet, Holland
Phone 31-3412-72222

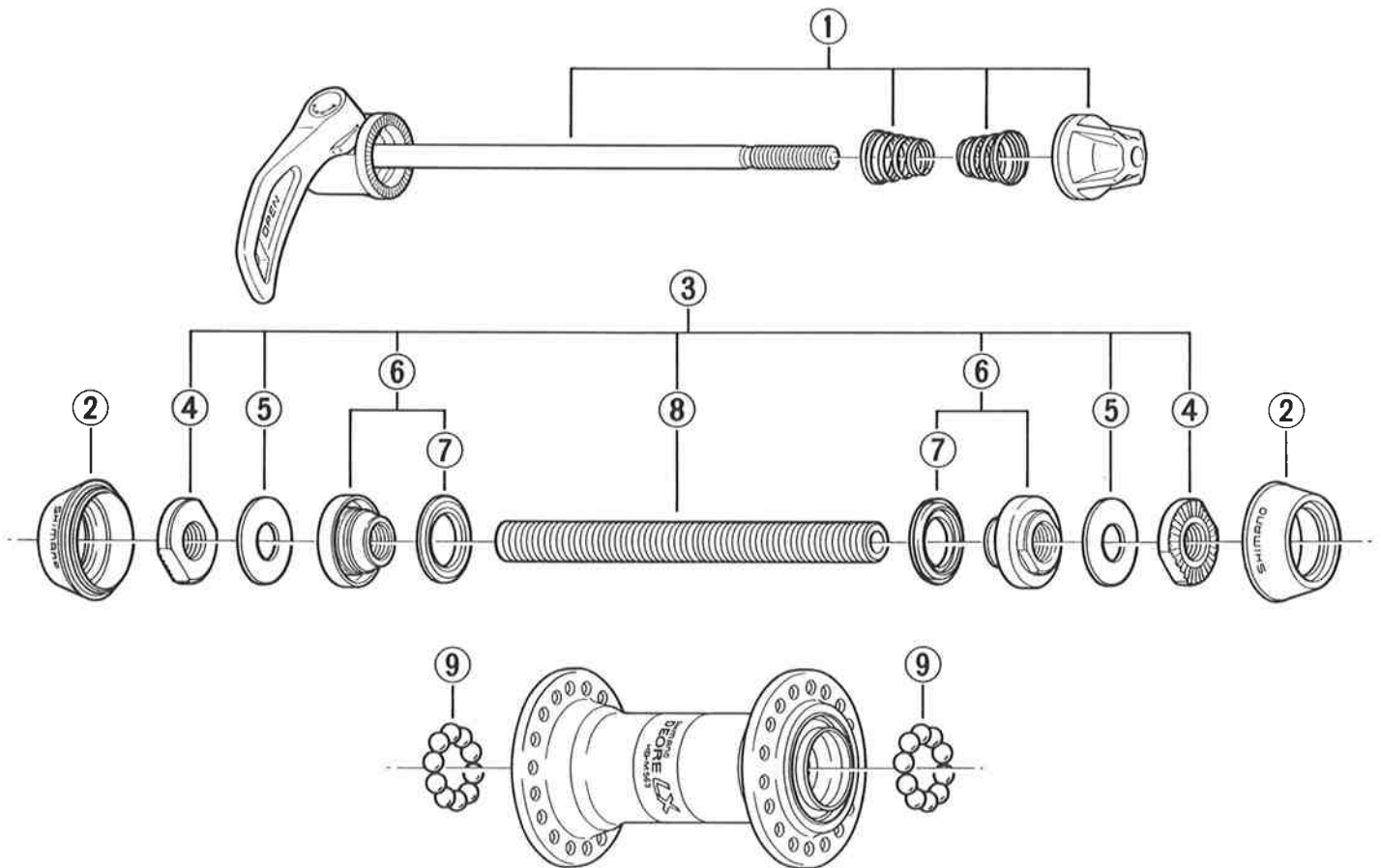
SHIMANO AMERICAN CORPORATION

One Shimano Drive, P.O. Box 19615, Irvine,
California U.S.A. 92713-9615 Phone 714-951-5003

Small parts list for after market.

- You may photocopy this sheet and use it as an order form.
- Sie können dieses Blatt kopieren und als Bestellformular verwenden.
- Vous pouvez photocopier cette feuille et l'utiliser comme bon de commande.
- Dit blad kan gecopieerd en als bestelformulier gebruikt worden.
- Potete fotocopiare questo foglio e usarlo come modulo di commissione.

DEORE LX Front Hub HB-M563-A



	Q'TY	ITEM NO.	PART NO.	DESCRIPTION	WEIGHT / PACK (g)	Q'TY / PACK
		* 1	22K 9010	Complete Quick Release 133 mm (5-1/4")	82	1
		2	21R 0200	Rubber Seal	18	10
		3	21R 9802	Complete Hub Axle 108 mm (4-1/4")	306	5
		4	21H 0810	Serated Lock Nut 3 mm	52	10
		5	21H 1000	Washer 0,5 mm	10	10
		6	21R 9803	Cone (M9 × 12.8 mm) w/Dust Cover & Seal Ring	112	10
		7	214 0600	Seal Ring	6	10
		8	21C 0310	Hub Axle 108 mm (4-1/4")	264	10
		9	000 9121	Steel Ball (3/16") 20 pcs.	12	1

Over Lock Nut Dimension: 100 mm (3-15/16")

02 Printed in Japan 9505-1483B