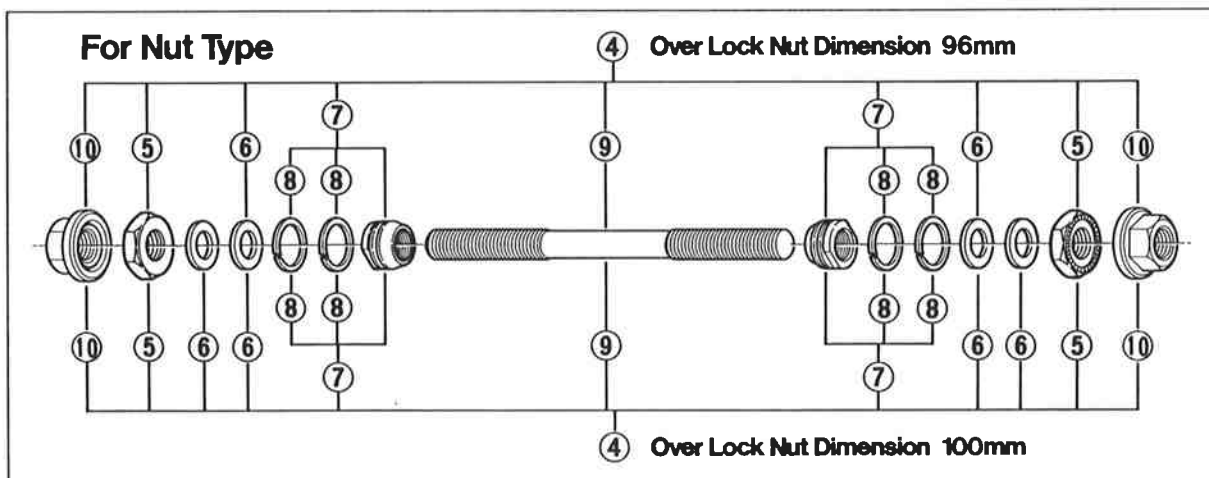
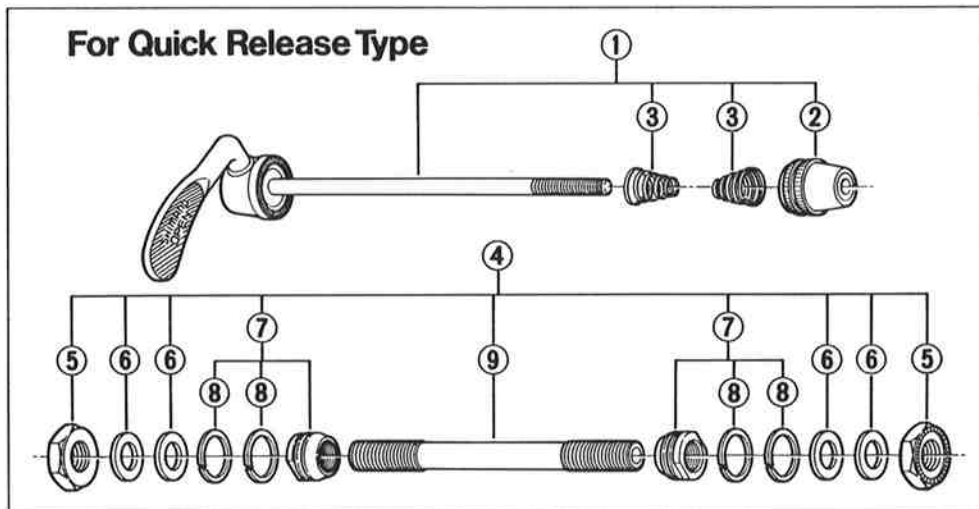
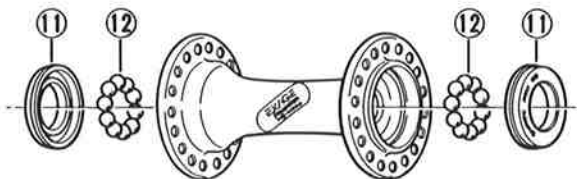


- You may photocopy this sheet and use it as an order form.
- Sie können dieses Blatt kopieren und als Bestellformular verwenden.
- Vous pouvez photocopier cette feuille et l'utiliser comme bon de commande.
- Dit blad kan gecopieerd en als bestelformulier gebruikt worden.
- Potete fotocopiare questo foglio e usarlo come modulo di commissione.

HB-M450-FQR Front Hub EXAGE Mountain / Quick Release Type
HB-M450-FNT Front Hub EXAGE Mountain / Nut Type



O.L.: Over Lock Nut Dimension

ITEM NO.	PART NO.	DESCRIPTION	Q'TY
1	3-203 9801	Complete Quick Release 129mm	
2	3-231 9008	Nut for Skewer	
3	231 1100	Volute Spring	
4	3-202 9804	Complete Hub Axle 108mm for Quick Release Type / O.L.100mm	
	3-204 9801	Complete Hub Axle 136mm for Nut Type / O.L.96mm	
	3-204 9802	Complete Hub Axle 140mm for Nut Type / O.L.100mm	
5	210 0821-1	Lock Nut 3.5mm for O.L.100mm	
	210 0820-1	Lock Nut 3mm for O.L.96mm	
6	301 0700	Washer 1.5mm	
7	3-202 9805	Cone (M9x10.5mm) & Seal Ring	
8	236 0300	Seal Ring	
9	338 0400	Hub Axle 108mm for Quick Release Type	
	204 0110	Hub Axle 136mm for Nut Type / O.L.96mm	
	204 0120	Hub Axle 140mm for Nut Type / O.L.100mm	
10	3-206 0100	Hub Nut	
11	202 0200	Dust Cap	
12	000 0121	Steel Ball (3/16")	

要領 62.11.19

62.11.19

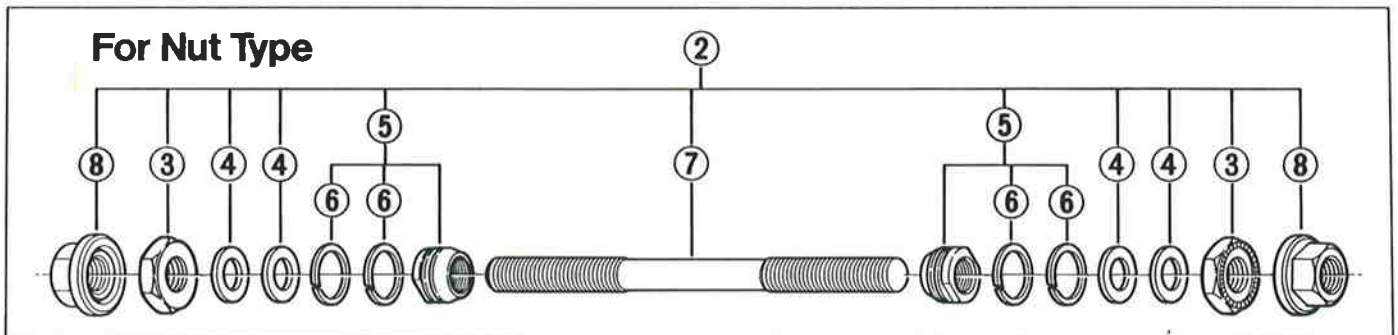
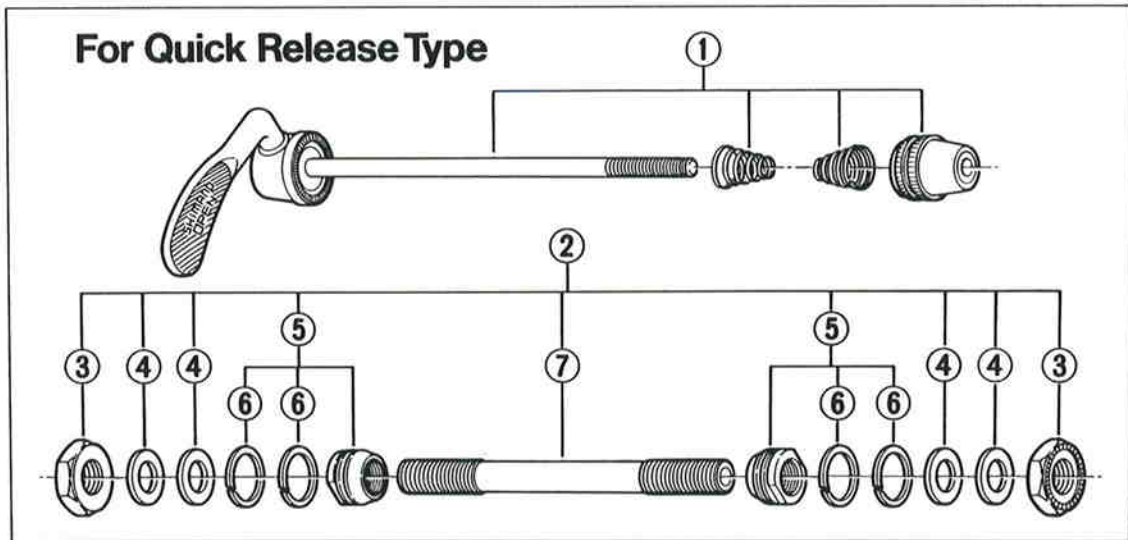
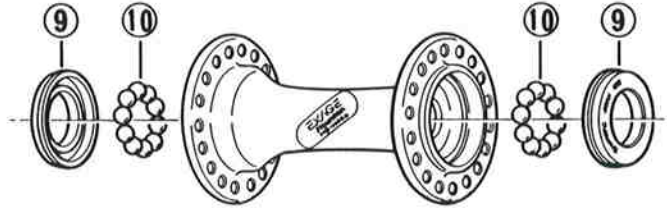


SHIMANO AMERICAN CORPORATION
 One Shimano Drive, Irvine, California
 U.S.A. 92718 Tel. (714) 951-5003

You may photocopy this sheet and use it as an order form.

HB-M450-FQR
HB-M450-FNT

Front Hub
 EXAGE Mountain / Quick Release Type
 Front Hub
 EXAGE Mountain / Nut Type



Over Lock Nut Dimensions: Quick Release Type / Nut Type...100mm(3-15/16")

ITEM NO.	PART NO.	DESCRIPTION	Q'TY
1	203 9801	Complete Quick Release 129mm(5-3/32")	
2	202 9804	Complete Hub Axle 108mm(4-1/4") for Quick Release Type	
	204 9802	Complete Hub Axle 140mm(5-1/2") for Nut Type	
3	210 0821-1	Lock Nut 3.5mm	
4	301 0700	Washer 1.5mm	
5	202 9805	Cone (M9x10.5mm) & Seal Ring	
6	236 0300	Seal Ring	
7	338 0400	Hub Axle 108mm(4-1/4") for Quick Release Type	
	204 0120	Hub Axle 140mm(5-1/2") for Nut Type	
8	206 0100	Hub Nut	
	202 0200	Dust Cap	
10		Steel Ball (3/16") 10pcs.	

Printed in Japan 8711-U881

受領 62.11.19
~~受領 62.11.18~~