

SHIMANO

SHIMANO EUROPA

Industrieweg 24 NL-8071 CT Nunspeet, Holland
Phone 31-3412-72222

SHIMANO AMERICAN CORPORATION

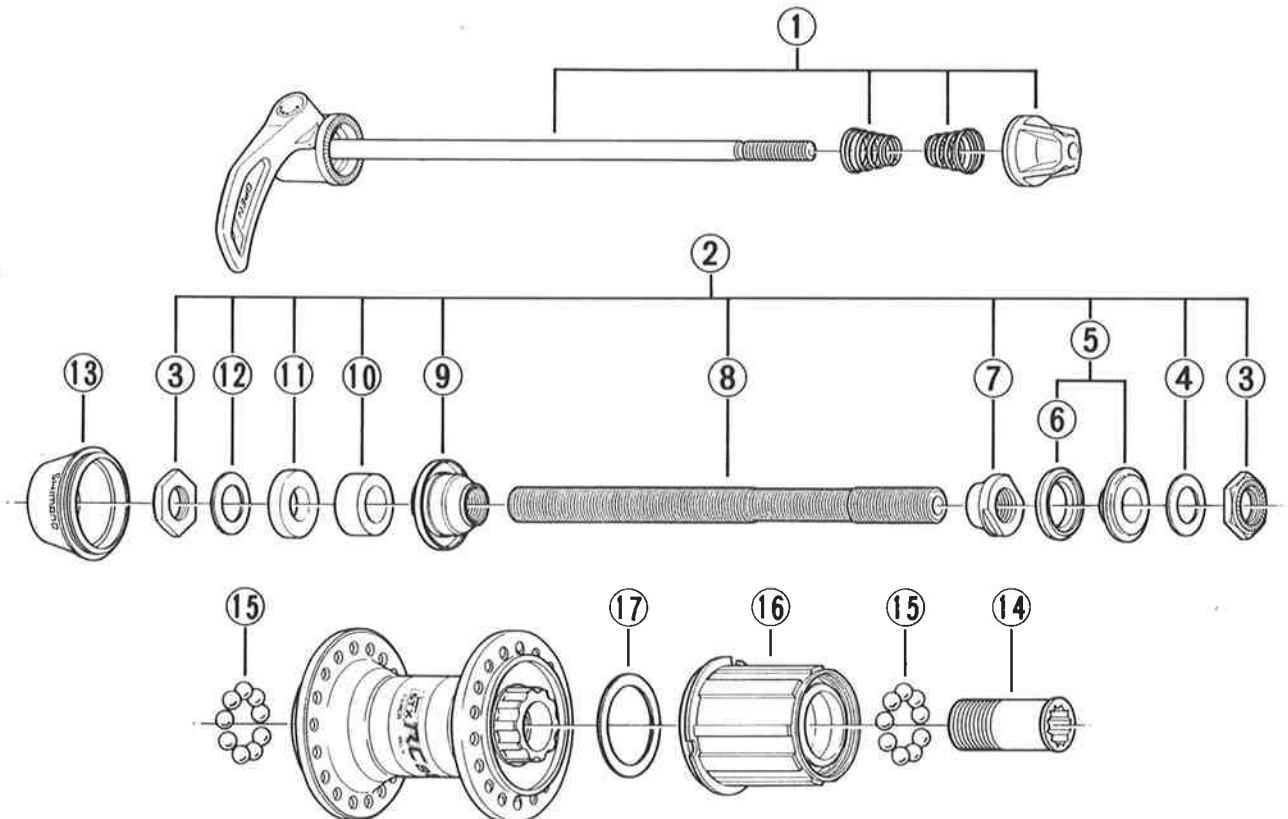
One Shimano Drive, P.O. Box 19815, Irvine,
California U.S.A. 92713-9815 Phone 714-951-5003

Small parts list for after market.

- You may photocopy this sheet and use it as an order form.
- Sie können dieses Blatt kopieren und als Bestellformular verwenden.
- Vous pouvez photocopier cette feuille et l'utiliser comme bon de commande.
- Dit blad kan gecopieerd en als bestelformulier gebruikt worden.
- Potete fotocopiare questo foglio e usarlo come modulo di commissione.

SHIMANO STX-RC Freehub

FH-MC38 8-Speed



• Use with CS-HG60-I.

| Q'TY | ITEM NO. | SHIMANO CODE NO. | DESCRIPTION |
|------|----------|------------------|---|
| | 1 | 30R 9022 | Complete Quick Release 168 mm (6-5/8") |
| | 2 | 3AZ 9801 | Complete Hub Axle 146 mm (5-3/4") |
| | 3 | 220 0502-1 | Serrated Lock Nut 3.5 mm |
| | 4 | 220 0430 | Right Hand Washer 0.5 mm |
| | 5 | 3AP 9803 | Right Hand Axle Spacer Unit |
| | 6 | 377 1000 | Seal Ring |
| | 7 | 3AE 0300 | Right Hand Cone M10 x 9 mm |
| | 8 | 30K 0120 | Hub Axle 146 mm (5-3/4") |
| | 9 | 3AE 9803 | Left Hand Cone (M10 x 16 mm) w/Dust Cover |
| | 10 | 220 0411 | Left Hand Axle Spacer 8 mm |
| | 11 | 3AC 0810 | Left Hand Axle Spacer 4 mm |
| | 12 | 3AC 0900 | Left Hand Washer 0.5 mm |
| | 13 | 3AC 0400 | Rubber Seal |
| | 14 | 359 0400 | Body Fixing Bolt |
| | 15 | 000 9131 | Steel Ball (1/4") 18 pcs. |
| | 16 | 30R 9801 | Complete Freewheel Body w/Right Hand Dust Cap |
| | 17 | 375 0400 | Freewheel Body Washer |

Over Lock Nut Dimension: 135 mm (5-5/16")

05 Printed in Japan 9608-1641