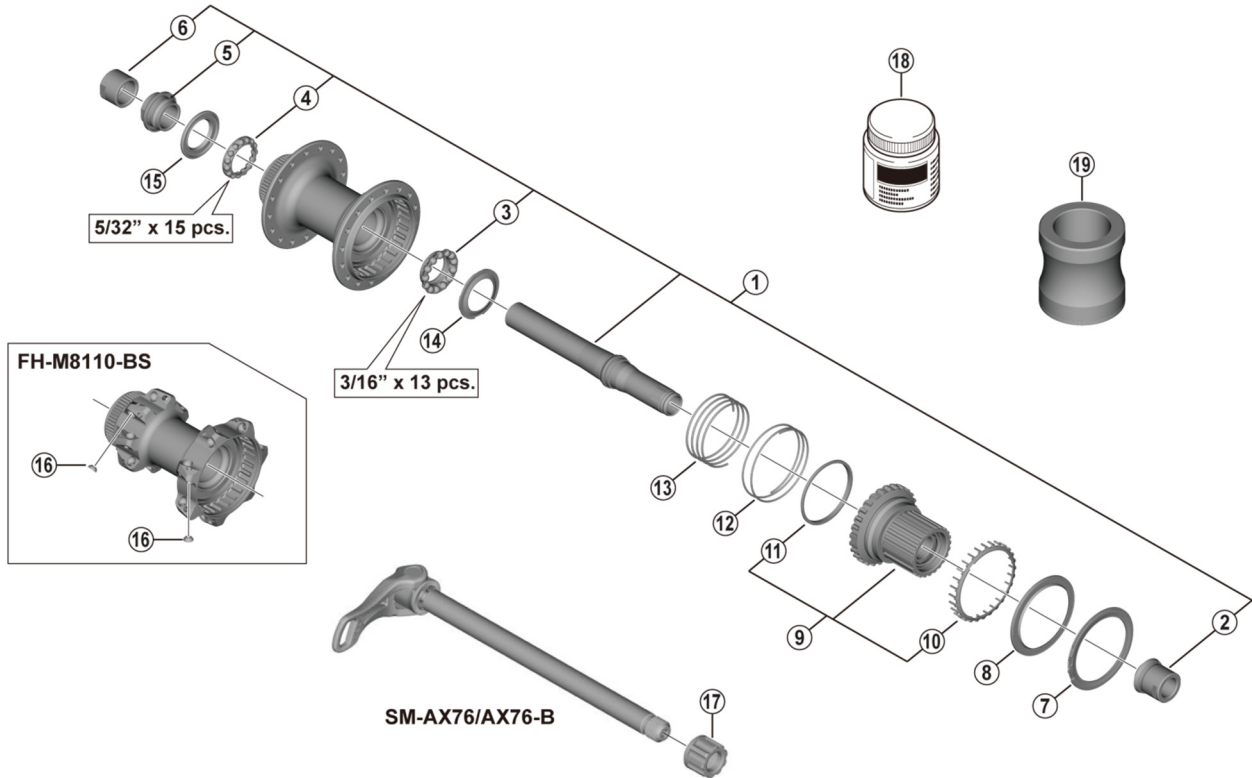


DEORE XT Freehub (12-speed)

FH-M8110/M8110-B/M8110-BS For Disc Brake

SM-AX76/AX76-B



• Over Lock Nut Dimension: 142 mm for FH-M8110 / 148 mm for FH-M8110-B, and FH-M8110-BS

ITEM NO.	SHIMANO CODE NO.	DESCRIPTION	INTERCHANGEABILITY	
			FH-M8111	FM-MT901-B
1	Y3G098010	Complete hub axle for FH-M8110		
	Y3G198010	Complete hub axle for FH-M8110-B and FH-M8110-BS		
2	Y3G198020	Right hand cap unit		
3	Y3G198030	Right hand ball retainer (3/16" x 13)	B	B
4	Y0CJ98030	Ball retainer (5/32" x 15)	B	B
5	Y3G198040	Left hand cone with dust cover		
6	Y3G104000	Left hand lock nut		
7	Y3FL98060	Stop ring with outer dust cover	A	A
8	Y3FM26000	Outer seal ring	A	A
9	Y3G198050	Complete freewheel body		
* 10	Y3FM14000	Spacer	A	A
11	Y3FM11000	Slider	A	A
12	Y3FM10000	Spring	A	A
13	Y3FM12000	Coil spring	A	A
14	Y3G112000	Inner cover		
15	Y26D10000	Seal ring		
16	Y44801000	Spherical washer		
17	Y27Y02000	Fixing nut (M12)		
18	Y38Z98000	Seal grease for freehub 50 g	A	A
19	Y1Y100010	TL-FH16 Seal ring presser	A	A

A: Same parts.

B: Parts are usable, but differ in materials, appearance, finish, size, etc.

Absence of mark indicates non-interchangeability.

Specifications are subject to change without notice.

Jun.-2021-4511A

© Shimano Inc. |

SHIMANO



quefairedemesdechets.fr