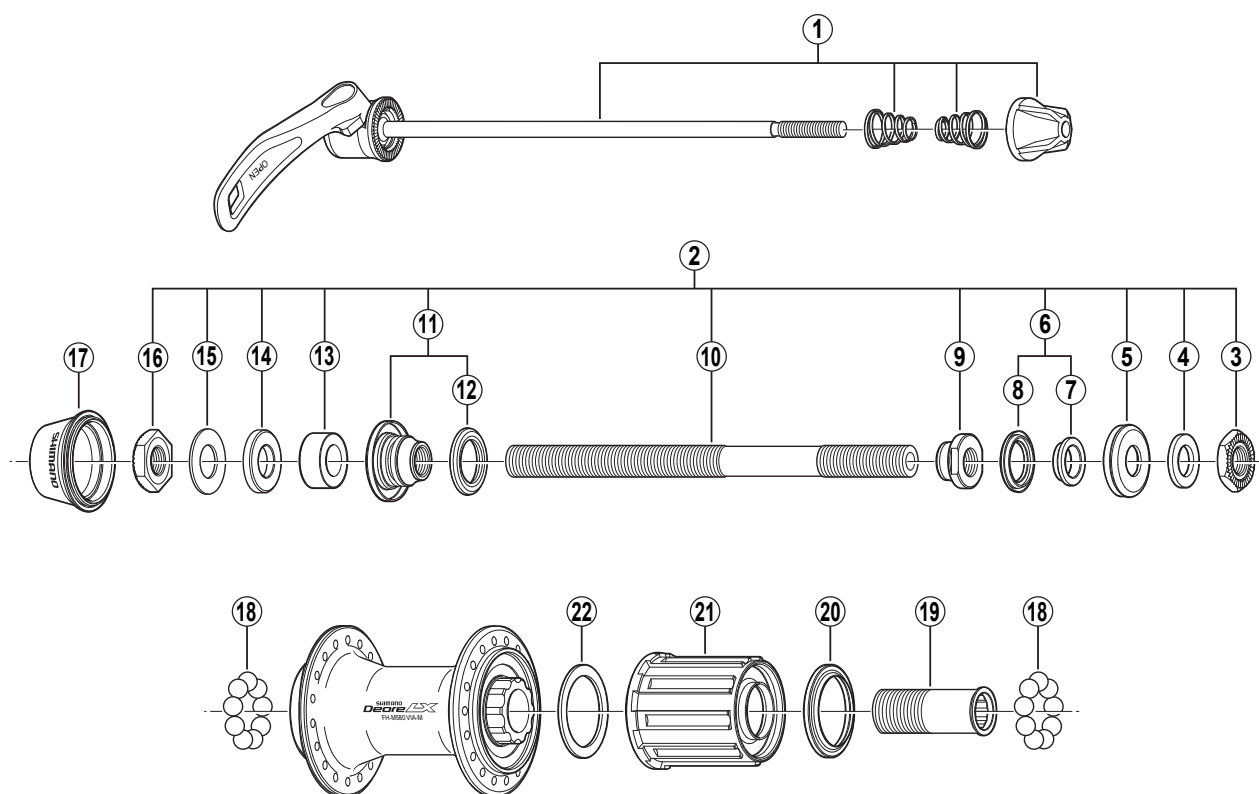


DEORE LX Freehub FH-M580 8/9-Speed



ITEM NO.	SHIMANO CODE NO.	DESCRIPTION
* 1	Y-3BL98010	Complete Quick Release 168 mm (6-5/8")
	Y-3SP98020	Complete Quick Release 173 mm (6-13/16")
2	Y-3C698010	Complete Hub Axle 146 mm (5-3/4")
3	Y-220 05021	Right Hand Serated Lock Nut 3.5 mm
4	Y-301 06300	Right Hand Washer 1.9 mm
5	Y-3C7 02000	Right Hand Dust Cap
6	Y-32X 98020	Right Hand Axle Spacer & Seal Ring
7	Y-31V 03000	Right Hand Axle Spacer 3.7 mm
8	Y-214 06000	Right Hand Seal Ring
9	Y-3AE03100	Right Hand Cone M10 x 9 mm
10	Y-30K 01200	Hub Axle 146 mm (5-3/4")
11	Y-3C0 98030	Left Hand Cone (M10 x 16 mm) w/Dust Cover & Seal Ring
12	Y-377 10000	Left Hand Seal Ring
13	Y-3BC04000	Left Hand Axle Spacer 8 mm
14	Y-3AC08310	Left Hand Axle Spacer 3 mm
15	Y-3AC09000	Left Hand Washer 0.5 mm
16	Y-220 05031	Left Hand Serated Lock Nut 4 mm
17	Y-3AC04200	Rubber Seal
18	Y-000 91310	Steel Ball (1/4") 18 pcs.
19	Y-3BL03000	Body Fixing Bolt
20	Y-3C7 03000	Sub Unit Rubber Seal
21	Y-3C0 98010	Complete Freewheel Body w/Right Hand Dust Cap
22	Y-375 04000	Freewheel Body Washer

Over Lock Nut Dimension: 135 mm (5-5/16")

0506-2344B

Specifications are subject to change without notice.

SHIMANO