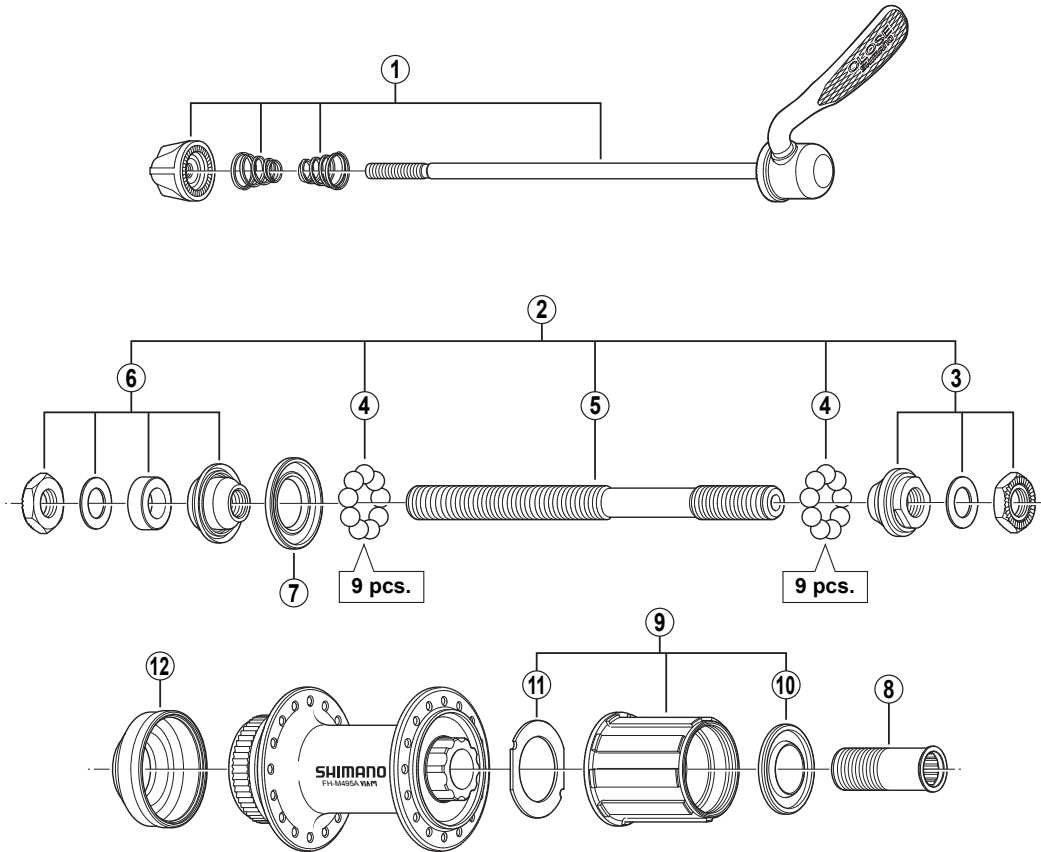


Freehub (8/9-Speed) for Disc Brake

FH-M495A-S Silver Version

FH-M495A-L Black Version



• Over Lock Nut Dimension: 135 mm (5-5/16")

ITEM NO.	SHIMANO CODE NO.	DESCRIPTION	INTERCHANGEABILITY		
			FH-M495	FH-4500	FH-RM65
1	Y-3B598010	Complete Quick Release 166 mm (6-17/32")	A	A	
	Y-3B598020	Complete Quick Release 170 mm (6-11/16")	A	A	
2	Y-3CY98070	Complete Hub Axle 146 mm (5-3/4")			
3	Y-3CY98080	Right Hand Lock Nut Unit			
4	Y-000 91310	Steel Ball (1/4") 18 pcs.	A	A	A
5	Y-30K 01200	Hub Axle 146 mm (5-3/4")	A	A	A
6	Y-3CY98040	Left Hand Lock Nut Unit			
7	Y-3CR09000	Left Hand Seal Ring		A	
8	Y-3BL03000	Body Fixing Bolt	A	A	A
9	Y-3CY98100	Complete Freewheel Body			
10	Y-3CR08000	Right Hand Seal Ring		A	
11	Y-3AN10000	Freewheel Body Washer	A		
12	Y-25Y 06000	Rotor Mount Cover (Option)	A		A

A: Same parts.

B: Parts are usable, but differ in materials, appearance, finish, size, etc.

Absence of mark indicates non-interchangeability.

0807-2557B

Specifications are subject to change without notice.

SHIMANO