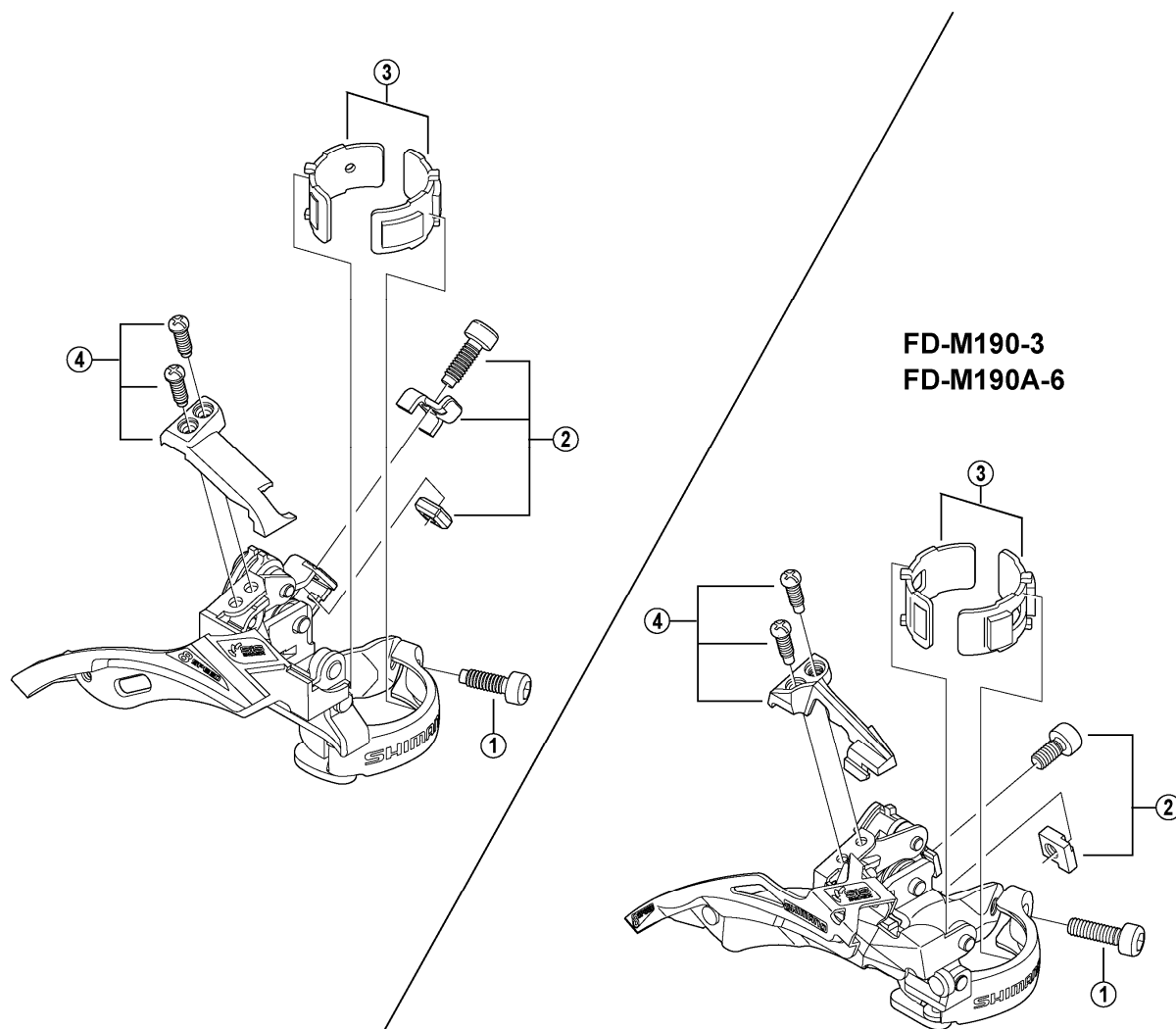


# Front Derailleur

## FD-M190

## FD-M190A



FD-M190  
FD-C050

ITEM NO.	SHIMANO CODE NO.	DESCRIPTION	INTERCHANGEABILITY		
			A	A	
1	Y59L19800	Clamp Bolt (M5 x 18.5)	A		
2	Y5G798070	Cable Fixing Bolt Unit (M5 x 9.8)		A	
	Y5KT98050	Cable Fixing Bolt Unit (M5 x 9.8) for M190-3, for M190A-6			
* 3	Y5GZ98010	Clamp Band Adapters for S-size / $\phi$ 28.6 mm (1-1/8") B-Type for M190-3, for M190A-6	A		
	Y5KT98030	Clamp Band Adapters for S-size / $\phi$ 28.6 mm (1-1/8") A-Type			
	Y5L298020	Clamp Band Adapters for M-size / $\phi$ 31.8 mm (1-1/4")	A		
4	Y5KT98020	Stroke Adjust Screws (M4 x 13) & Plate			
	Y5KT98060	Stroke Adjust Screws (M4 x 13) & Plate for M190-3, for M190A-6			

A: Same parts.

B: Parts are usable, but differ in materials, appearance, finish, size, etc.  
Absence of mark indicates non-interchangeability.

Jun.-2010-2771D  
© Shimano Inc. A

Specifications are subject to change without notice.

# SHIMANO