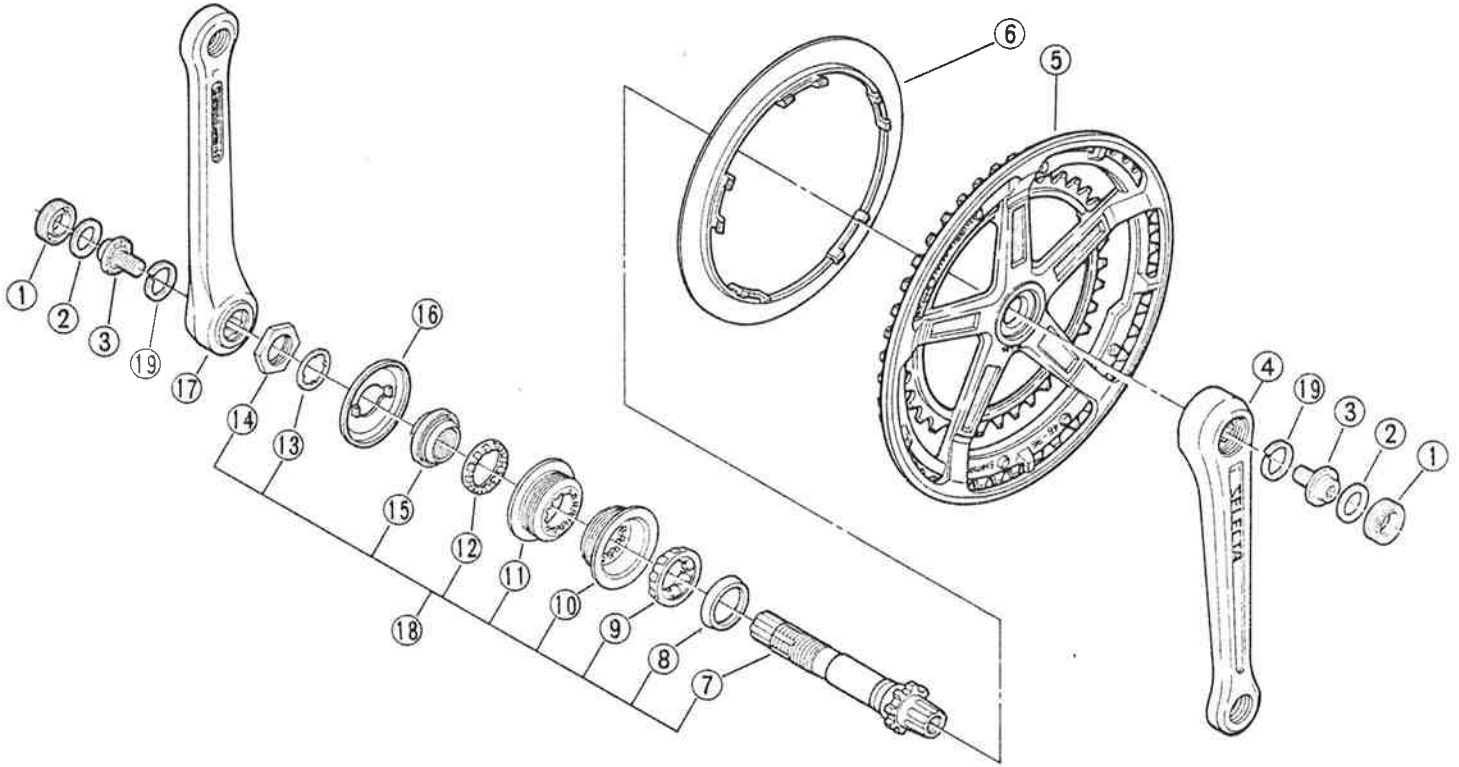


You may photocopy this sheet and use it as an order form.

**SHIMANO**

**Model FC-SL24** Front Chainwheel  
SELECTA-T

**BB-SL31** Bottom Bracket Assembly



\*: Changed Items

ITEM NO.	PART NO.	DESCRIPTION	Q'TY
1	165 0600	Crank Arm Cap	
2	165 0700	Washer	
* 3	165 0801	Crank Arm Fixing Bolt	
* 4	165 0122	Right Crank Arm 165mm(6-1/2")	
	165 0121	Right Crank Arm 170mm(6-11/16")	
5	2-164 95000	Chainring 42T-52T (Barrel)	
	2-164 95100	Chainring 42T-52T (Painted)	
	2-164 31000	Chainring 36T-48T (Barrel)	
	2-164 31100	Chainring 36T-48T (Painted)	
6	164 0300	Low Protector for Chainring 36T	
7	167 0100	Bottom Bracket Spindle	
8	167 0200	Right Hand Seal	
9	3-188 9001	Ball Retainer (1/4")	
*10	188 0300-2	Right Hand Ball Cup	
*11	188 0400-2	Left Hand Ball Cup	
12	3-188 9002	Ball Retainer (3/16")	
*13	188 1402-1	Key Washer	
14	188 0700	Lock Nut	
15	3-188 9004	Left Hand Cone w/Dust Cap	
16	167 0700	Cap	
*17	165 0522	Left Crank Arm 165mm(6-1/2")	
	165 0521	Left Crank Arm 170mm(6-11/16")	
18	2-167 01000	Bottom Bracket Assembly	
*19	165 1000	Spring Washer	

Printed in Japan 8202-382B

発行 57.2.08