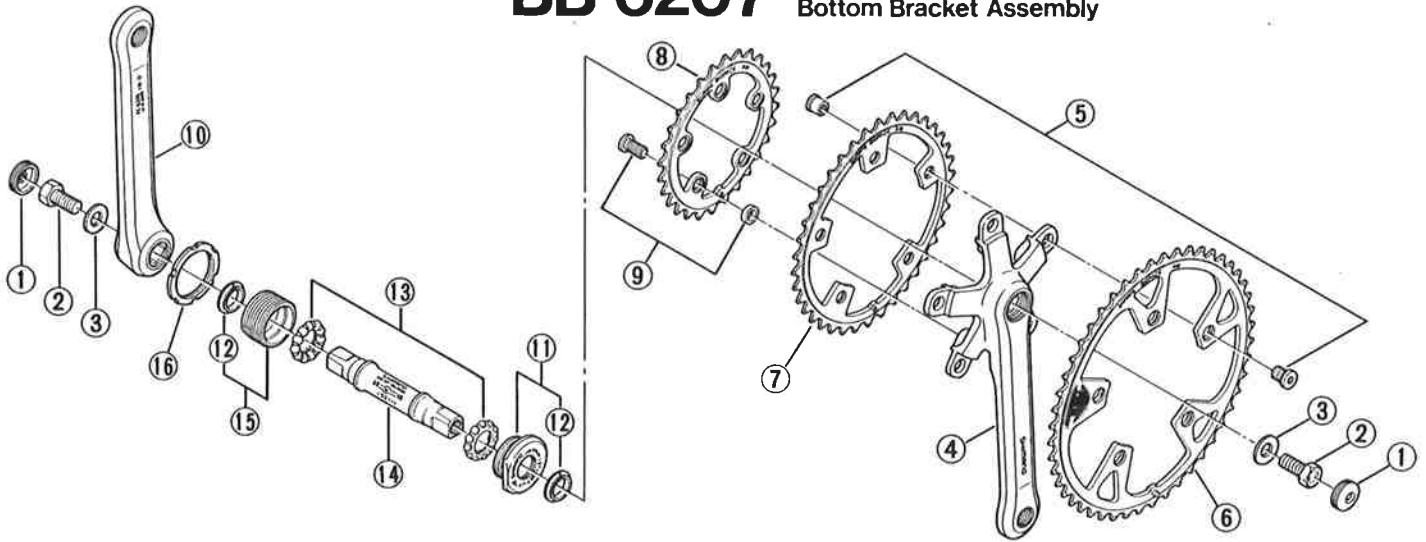


**FC-6206** Front Chainwheel  
 w/BIOPACE Chainring  
**BB-6207** Bottom Bracket Assembly



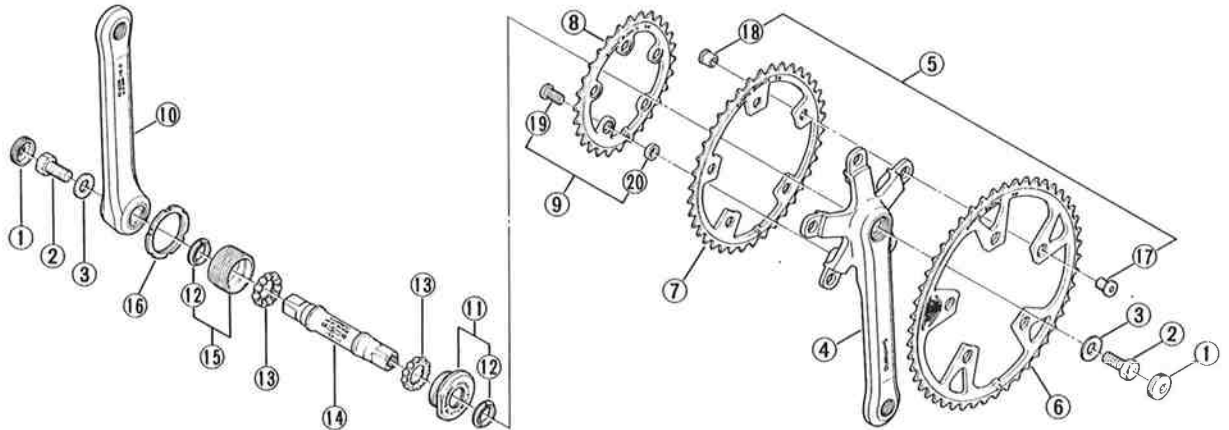
● Bolt circle diameter: 110mm...(For Large Gear & Middle Gear), 74mm...(For Small Gear)

ITEM NO.	PART NO.	DESCRIPTION	Q'TY	
1	144 2001	Crank Arm Cap		
2	134 0300	Crank Arm Fixing Bolt		
3	134 0400	Crank Arm Fixing Washer		
4	144 6100	Right Crank Arm 165mm		
	144 6300	Right Crank Arm 170mm		
	144 6410	Right Crank Arm 175mm		
	144 6430	Right Crank Arm 180mm		
5	132 9801	Chainring Fixing Bolt & Nut (5sets)		
* 6	147 4600	Chainring 46T / BIOPACE II		
	147 4601	Chainring 46T / BIOPACE II (GMG-Color)		
	147 4602	Chainring 46T / BIOPACE II (Black)		
	147 4800	Chainring 48T		
	147 4801	Chainring 48T (GMG-Color)		
	147 4802	Chainring 48T (Black)		
	147 5000	Chainring 50T		
	147 5001	Chainring 50T (GMG-Color)		
	* 7	147 3600	Chainring 36T / BIOPACE II	
		147 3601	Chainring 36T / BIOPACE II (GMG-Color)	
147 3602		Chainring 36T / BIOPACE II (Black)		
147 3800		Chainring 38T		
147 3801		Chainring 38T (GMG-Color)		
147 3802		Chainring 38T (Black)		
147 4400		Chainring 44T		
147 4401		Chainring 44T (GMG-Color)		
* 8	147 2600	Chainring 26T / BIOPACE II		
	147 2601	Chainring 26T / BIOPACE II (GMG-Color)		
	147 2602	Chainring 26T / BIOPACE II (Black)		
	147 2800	Chainring 28T		
	147 2801	Chainring 28T (GMG-Color)		
	147 2802	Chainring 28T (Black)		
9	143 9801	Triple Gear Fixing Bolt & Spacer (5sets)		
10	144 6500	Left Crank Arm 165mm		
	144 6700	Left Crank Arm 170mm		
	144 6460	Left Crank Arm 175mm		
	144 6480	Left Crank Arm 180mm		
11	179 9801	Right Hand Fixed Cup (1.37"x24T) English Thread & Seal Cap		
	179 9802	Right Hand Fixed Cup (35xP1) French Thread & Seal Cap		
	179 9803	Right Hand Fixed Cup (36x24T) Italian Thread & Seal Cap		
12	179 0100	Seal Cap		
13	189 9810	Ball Retainer (1/4") 2pcs.		
14	148 0104	Spindle (D-3L) 116mm for Shell Width 68mm / Double Gear		
	148 0113	Spindle (D-5LL) 119mm for Shell Width 70mm / Double Gear		
	149 1301	Spindle (D-3SS) 121.5mm for Shell Width 68mm / Triple Gear		
	149 1311	Spindle (5S-B) 124.5mm for Shell Width 70mm / Triple Gear		
15	179 9811	Left Hand Adjustable Cup (1.37"x24T) English Thread & Seal Cap		
	179 9812	Left Hand Adjustable Cup (35xP1) French Thread & Seal Cap		
	179 9813	Left Hand Adjustable Cup (36x24T) Italian Thread & Seal Cap		
16	137 0500	Lock Ring (1.37"x24T) English Thread		
	137 0510	Lock Ring (35xP1) French Thread		
	137 0520	Lock Ring (36x24T) Italian Thread		

- You may photocopy this sheet and use it as an order form.
- Sie können dieses Blatt kopieren und als Bestellformular verwenden.
- Vous pouvez photocopier cette feuille et l'utiliser comme bon de commande.
- Dit blad kan gecopieerd en als bestelformulier gebruikt worden.
- Potete fotocopiare questo foglio e usarlo come modulo di commissione.

## FC-6206 Front Chainwheel w/BIOPACE Chaining

## BB-6207 Bottom Bracket Assembly



● Bolt circle diameter: 110mm...(For Large Gear & Middle Gear), 74mm...(For Small Gear)

ITEM NO.	PART NO.	DESCRIPTION	Q'TY	
1	144 2001	Crank Arm Cap		
2	134 0300	Crank Arm Fixing Bolt		
3	134 0400	Crank Arm Fixing Washer		
4	144 6100	Right Crank Arm 165mm		
	144 6300	Right Crank Arm 170mm		
	144 6410	Right Crank Arm 175mm		
	144 6430	Right Crank Arm 180mm		
	144 6110	Right Crank Arm 165mm French Thread		
	144 6310	Right Crank Arm 170mm French Thread		
	144 6411	Right Crank Arm 175mm French Thread		
	144 6431	Right Crank Arm 180mm French Thread		
5	3-132 9801	Chaining Fixing Bolt & Nut (5sets)		
6	147 4600	Chaining 46T / BIOPACE II		
	147 4601	Chaining 46T / BIOPACE II (GMG-Color)		
	147 4602	Chaining 46T / BIOPACE II (Black)		
	147 4800	Chaining 48T		
	147 4801	Chaining 48T (GMG-Color)		
	147 4802	Chaining 48T (Black)		
	147 5000	Chaining 50T		
	147 5001	Chaining 50T (GMG-Color)		
	7	147 3600	Chaining 36T / BIOPACE II	
		147 3601	Chaining 36T / BIOPACE II (GMG-Color)	
147 3602		Chaining 36T / BIOPACE II (Black)		
147 3800		Chaining 38T		
147 3801		Chaining 38T (GMG-Color)		
147 3802		Chaining 38T (Black)		
8	147 4400	Chaining 44T		
	147 4401	Chaining 44T (GMG-Color)		
	147 2600	Chaining 26T / BIOPACE II		
	147 2601	Chaining 26T / BIOPACE II (GMG-Color)		
	147 2602	Chaining 26T / BIOPACE II (Black)		
9	147 2800	Chaining 28T		
	147 2801	Chaining 28T (GMG-Color)		
	147 2802	Chaining 28T (Black)		
	3-143 9801	Triple Gear Fixing Bolt & Spacer (5sets)		
10	144 6500	Left Crank Arm 165mm		
	144 6700	Left Crank Arm 170mm		
	144 6460	Left Crank Arm 175mm		
	144 6480	Left Crank Arm 180mm		
	144 6510	Left Crank Arm 165mm French Thread		
	144 6710	Left Crank Arm 170mm French Thread		
	144 6461	Left Crank Arm 175mm French Thread		
11	144 6481	Left Crank Arm 180mm French Thread		
	3-179 9801	Right Hand Fixed Cup (1.37"x24T) English Thread & Seal Cap		
	3-179 9802	Right Hand Fixed Cup (35xP1) French Thread & Seal Cap		
	3-179 9803	Right Hand Fixed Cup (36x24T) Italian Thread & Seal Cap		
12	179 0100	Seal Cap		
13	3-180 9821	Ball Retainer (1/4")		
14	148 0104	Spindle (D-3L) 116mm for Shell Width 68mm / Double Gear		
	148 0113	Spindle (D-5LL) 119mm for Shell Width 70mm / Double Gear		
	149 1301	Spindle (D-3SS) 121.5mm for Shell Width 68mm / Triple Gear		
	149 1311	Spindle (5S-B) 124.5mm for Shell Width 70mm / Triple Gear		
15	3-179 9811	Left Hand Adjustable Cup (1.37"x24T) English Thread & Seal Cap		
	3-179 9812	Left Hand Adjustable Cup (35xP1) French Thread & Seal Cap		
	3-179 9813	Left Hand Adjustable Cup (36x24T) Italian Thread & Seal Cap		
16	137 0500	Lock Ring (1.37"x24T) English Thread		
	137 0510	Lock Ring (35xP1) French Thread		
	137 0520	Lock Ring (36x24T) Italian Thread		
17	132 0502	Chaining Fixing Bolt		
18	132 0600	Chaining Fixing Nut		
19	132 0503	Triple Gear Fixing Bolt		
20	144 7000	Spacer for Triple Gear		