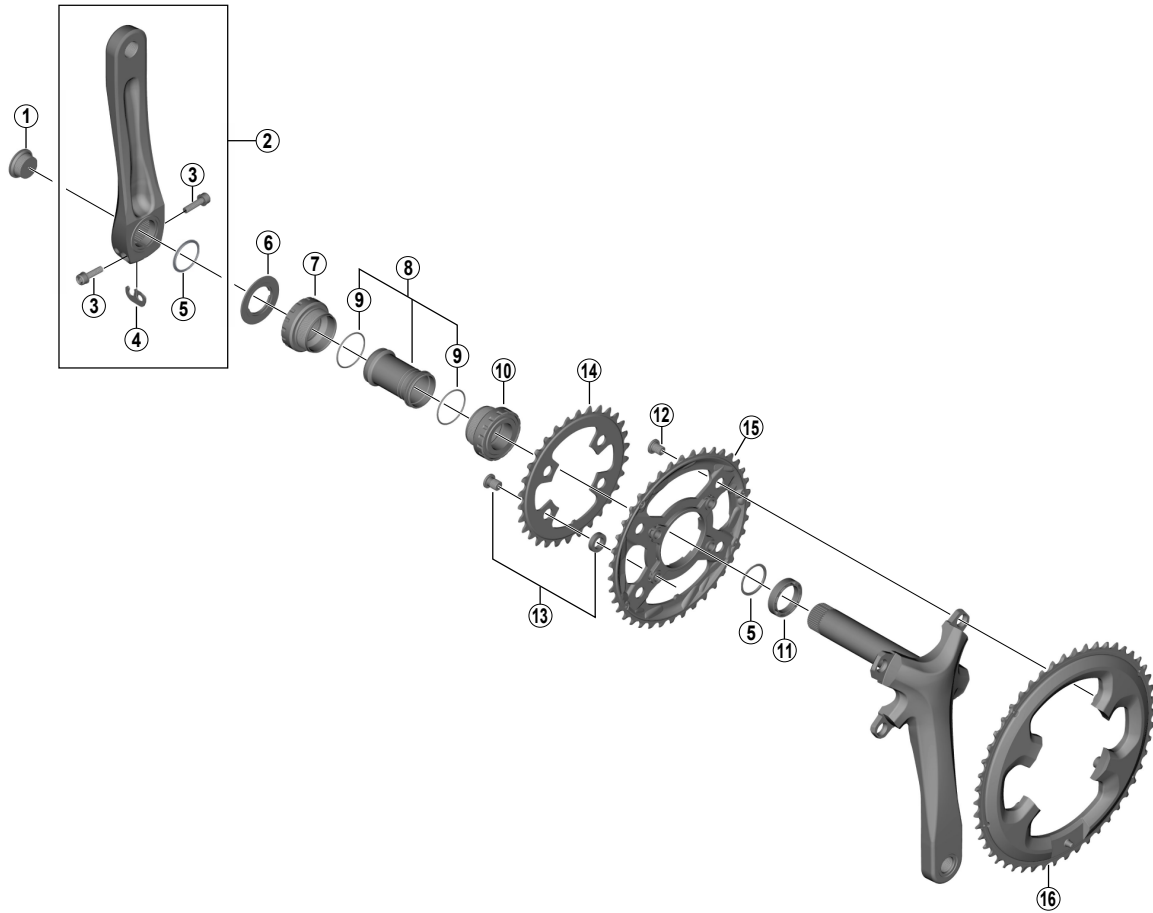


TIAGRA Crankset
FC-4703
BB-RS501 BB-RS500



- Chaining teeth specification: 50-39-30T
- P.C.D. 110 mm (for outer chaining and middle chaining), 74 mm (for inner chaining)

FC-4603

ITEM NO.	SHIMANO CODE NO.	DESCRIPTION	INTERCHANGE-ABILITY
1	Y1P417000	Crank arm fixing screw	B
2	Y1RC98010	Left hand crank arm unit 165 mm	B
	Y1RC98020	Left hand crank arm unit 170 mm	B
	Y1RC98030	Left hand crank arm unit 172.5 mm	B
	Y1RC98040	Left hand crank arm unit 175 mm	B
3	Y1GS00030	Clamp screw (M6 x 19)	
4	Y1GE98050	Plate	A
5	Y1F316000	Ring	A
6	Y1MD14100	Spacer	A
*	Y2LD98030	Left hand cup (B.C.1.37" x 24T) english thread (BB-RS501)	B
	Y2LD98040	Left hand cup (M36 x 24T) italian thread (BB-RS501)	B
	Y1RF98010	Left hand cup (B.C.1.37" x 24T) english thread (BB-RS500)	B
	Y1RF98020	Left hand cup (M36 x 24T) italian thread (BB-RS500)	B
8	Y1RF98050	Inner cover and O-ring	A
9	Y1TF21000	O-ring	A
*	Y2LD98010	Right hand cup (B.C.1.37" x 24T) english thread (BB-RS501)	B
	Y2LD98020	Right hand cup (M36 x 24T) italian thread (BB-RS501)	B
10	Y1RF98030	Right hand cup (B.C.1.37" x 24T) english thread (BB-RS500)	B
	Y1RF98040	Right hand cup (M36 x 24T) italian thread (BB-RS500)	B
11	Y1F913000	Spacer (6.5 mm)	A
12	Y1FM98030	Chaining fixing screw (M8 x 8.5 / 1 unit = 4 pcs.)	A
13	Y1RD98040	Inner chaining fixing screw (M8 x 9.6 / 1 unit = 4 pcs.) and spacer (1 unit = 4 pcs.)	
14	Y1RD30000	Chaining 30T-MM	
15	Y1RD98050	Chaining 39T-MM with nut and holder	
16	Y1RD98030	Chaining 50T-MM	

A: Same parts.

B: Parts are usable, but differ in materials, appearance, finish, size, etc.

Absence of mark indicates non-interchangeability.

Specifications are subject to change without notice.

Oct.-2022-3934B

© Shimano Inc. I

SHIMANO