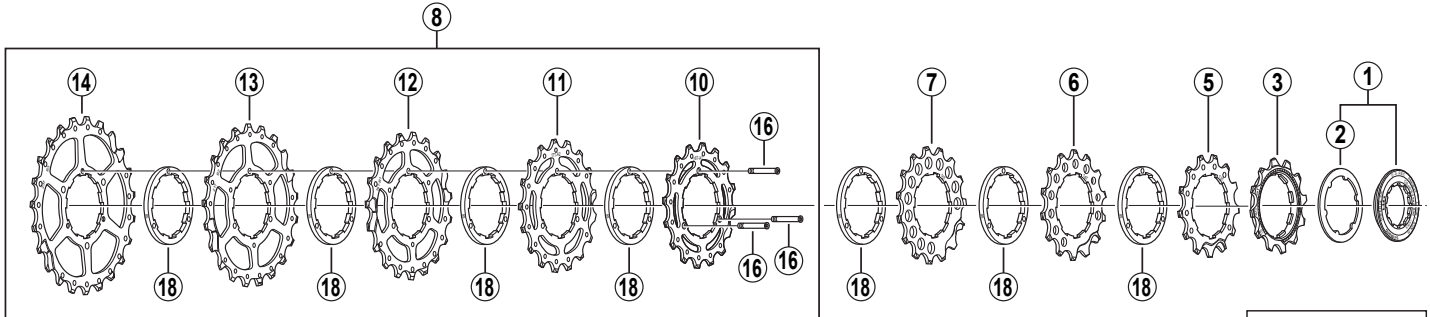


SHIMANO 105 Cassette Sprocket
CS-HG70-9 9-Speed

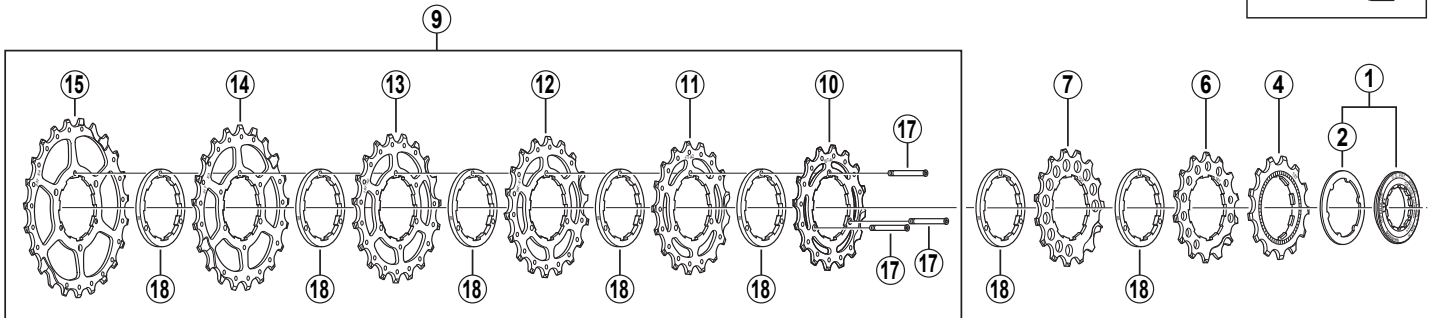
CS-HG70-9 sprocket teeth combinations

12 - 23T	12-13-14-15- 16-17-19-21-23 T
12 - 25T	12-13-14-15- 17-19-21-23-25 T
13 - 23T	13-14-15- 16-17-18-19-21-23 T
13 - 25T	13-14-15- 16-17-19-21-23-25 T

12T Top Gear Type



13T Top Gear Type



Q'TY	ITEM NO.	SHIMANO CODE NO.	DESCRIPTION
	* 1	Y-10N 98070	Lock Ring & Spacer
	2	Y-11W02000	Lock Ring Spacer
	3	Y-10R 12001	Sprocket Wheel 12T (Built in spacer type)
	4	Y-10P 13001	Sprocket Wheel 13T (Built in spacer type)
	5	Y-10R 13001	Sprocket Wheel 13T
	6	Y-10R 14001	Sprocket Wheel 14T
	7	Y-10R 15001	Sprocket Wheel 15T
	8	Y-10N 98020	Sprocket Unit (16 - 17 - 19 - 21 - 23T)
		Y-10N 98030	Sprocket Unit (17 - 19 - 21 - 23 - 25T)
	9	Y-10N 98040	Sprocket Unit (16 - 17 - 18 - 19 - 21 - 23T)
		Y-10N 98050	Sprocket Unit (16 - 17 - 19 - 21 - 23 - 25T)
	* 10	Y-10N 16A11	Sprocket Wheel 16T (for 12 - 23T/13 - 23T/13 - 25T)
		Y-10N 17A11	Sprocket Wheel 17T (for 12 - 25T)
	* 11	Y-10N 17A21	Sprocket Wheel 17T (for 12 - 23T/13 - 23T/13 - 25T)
		Y-10P 19A21	Sprocket Wheel 19T (for 12 - 25T)
	* 12	Y-10N 18E11	Sprocket Wheel 18T (for 13 - 23T)
		Y-10N 19B11	Sprocket Wheel 19T (for 12 - 23T/13 - 25T)
		Y-10N 21C11	Sprocket Wheel 21T (for 12 - 25T)
		Y-10N 19E21	Sprocket Wheel 19T (for 13 - 23T)
	* 13	Y-10N 21B21	Sprocket Wheel 21T (for 12 - 23T/13 - 25T)
		Y-10N 23C21	Sprocket Wheel 23T (for 12 - 25T)
		Y-10N 21E31	Sprocket Wheel 21T (for 13 - 23T)
	* 14	Y-10N 23B31	Sprocket Wheel 23T (for 12 - 23T)
		Y-10N 23B01	Sprocket Wheel 23T (for 13 - 25T)
		Y-10N 25C31	Sprocket Wheel 25T (for 12 - 25T)
	* 15	Y-10P 23E41	Sprocket Wheel 23T (for 13 - 23T)
		Y-10P 25B41	Sprocket Wheel 25T (for 13 - 25T)
	* 16	Y-10N 01000	Sprocket Fixing Bolt A (M2.6 x 18.5 mm)
	* 17	Y-10N 01100	Sprocket Fixing Bolt B (M2.6 x 22.8 mm)
	18	Y-10P 02000	Sprocket Spacer (t=2.56 mm)
	19	Y-120 09190	Lock Ring Removal Tool (TL-HG16)