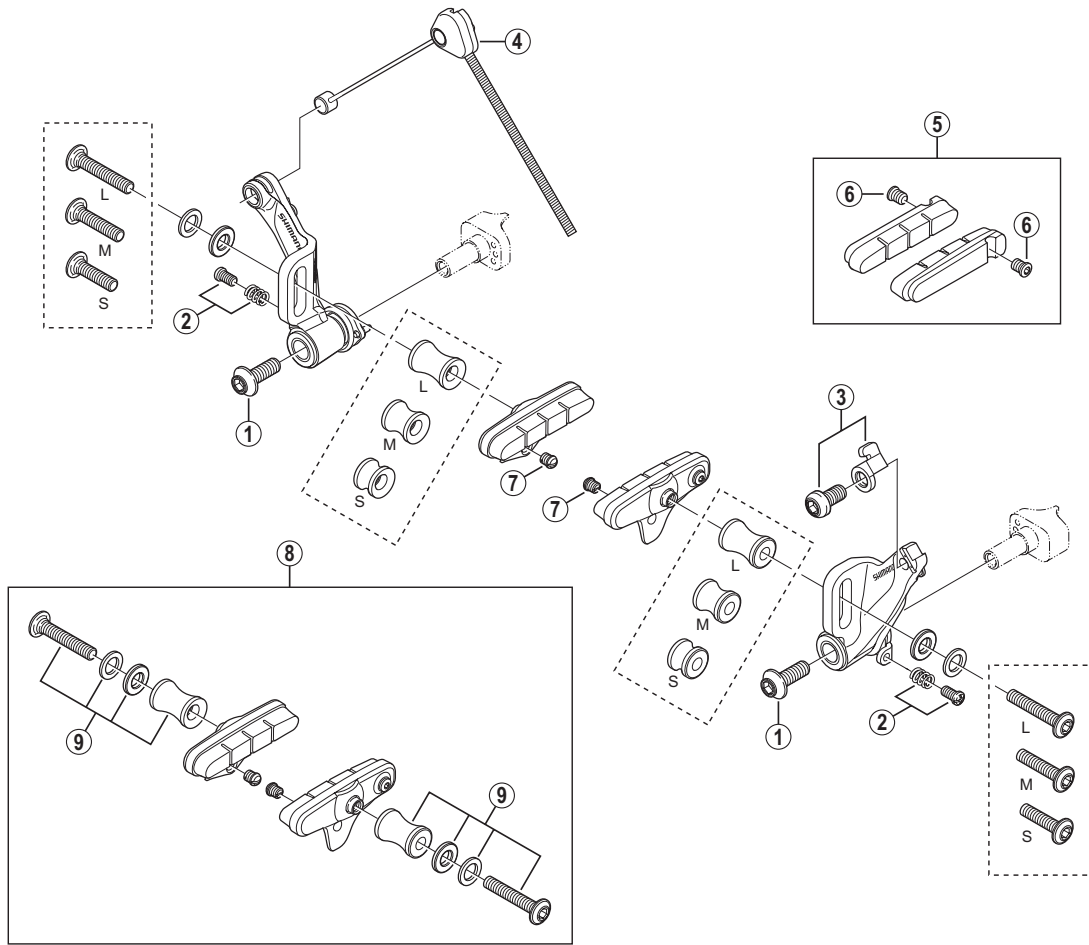


CYCLOCROSS Cantilever Brake BR-CX70



BR-CX50
BR-M421 (V-BRAKE)
BR-M770 (V-BRAKE)
BR-7700 (Caliper Brake)

ITEM NO.	SHIMANO CODE NO.	DESCRIPTION	INTERCHANGEABILITY
1	Y8EM07210	Link Fixing Bolt (M6 x 25)	B B B
	Y8EM07200	Link Fixing Bolt (M6 x 16)	B B B
2	Y8B098010	Spring Tension Adjustment Screw (M4 x 7) & Stopper	A A
3	Y8K498010	Cable Fixing Bolt (M6 x 11.5) & Plate	A
4	Y8K498020	Unit Link	A
5	Y8FA98130	R55C+1 Cartridge-Type Brake Shoes & Fixing Bolts (Pair)	A
	Y8FN98090	R55C3 Cartridge-Type Brake Shoes & Fixing Bolts (Pair)	
	Y8FN98140	R55C3 Cartridge-Type Brake Shoes & Fixing Bolts (Pair) for Carbon Rim	
6	Y8FA17000	Fixing Bolt (M4 x 5.5)	A
7	Y8FA16000	Tire Guide	A
8	Y8K498030	R55C+1 Cartridge-Type Brake Shoe Set (Pair) / Shoe Fixing Bolts (L) & R-Washers (L)	B
	Y8K498040	R55C+1 Cartridge-Type Brake Shoe Set (Pair) / Shoe Fixing Bolts (M) & R-Washers (M)	B
	Y8K498050	R55C+1 Cartridge-Type Brake Shoe Set (Pair) / Shoe Fixing Bolts (S) & R-Washers (S)	B
	Y8K498060	R55C3 Cartridge-Type Brake Shoe Set (Pair) / Shoe Fixing Bolts (L) & R-Washers (L)	B
	Y8K498070	R55C3 Cartridge-Type Brake Shoe Set (Pair) / Shoe Fixing Bolts (M) & R-Washers (M)	B
	Y8K498080	R55C3 Cartridge-Type Brake Shoe Set (Pair) / Shoe Fixing Bolts (S) & R-Washers (S)	B
*	Y8K498090	Shoe Fixing Bolt (L) & R-Washer (L) Unit	B
* 9	Y8K498100	Shoe Fixing Bolt (M) & R-Washer (M) Unit	B
*	Y8K498110	Shoe Fixing Bolt (S) & R-Washer (S) Unit	B

A: Same parts.
B: Parts are usable, but differ in materials, appearance, finish, size, etc.
Absence of mark indicates non-interchangeability.

May-2013-3223A
© Shimano Inc. I

Specifications are subject to change without notice.

SHIMANO