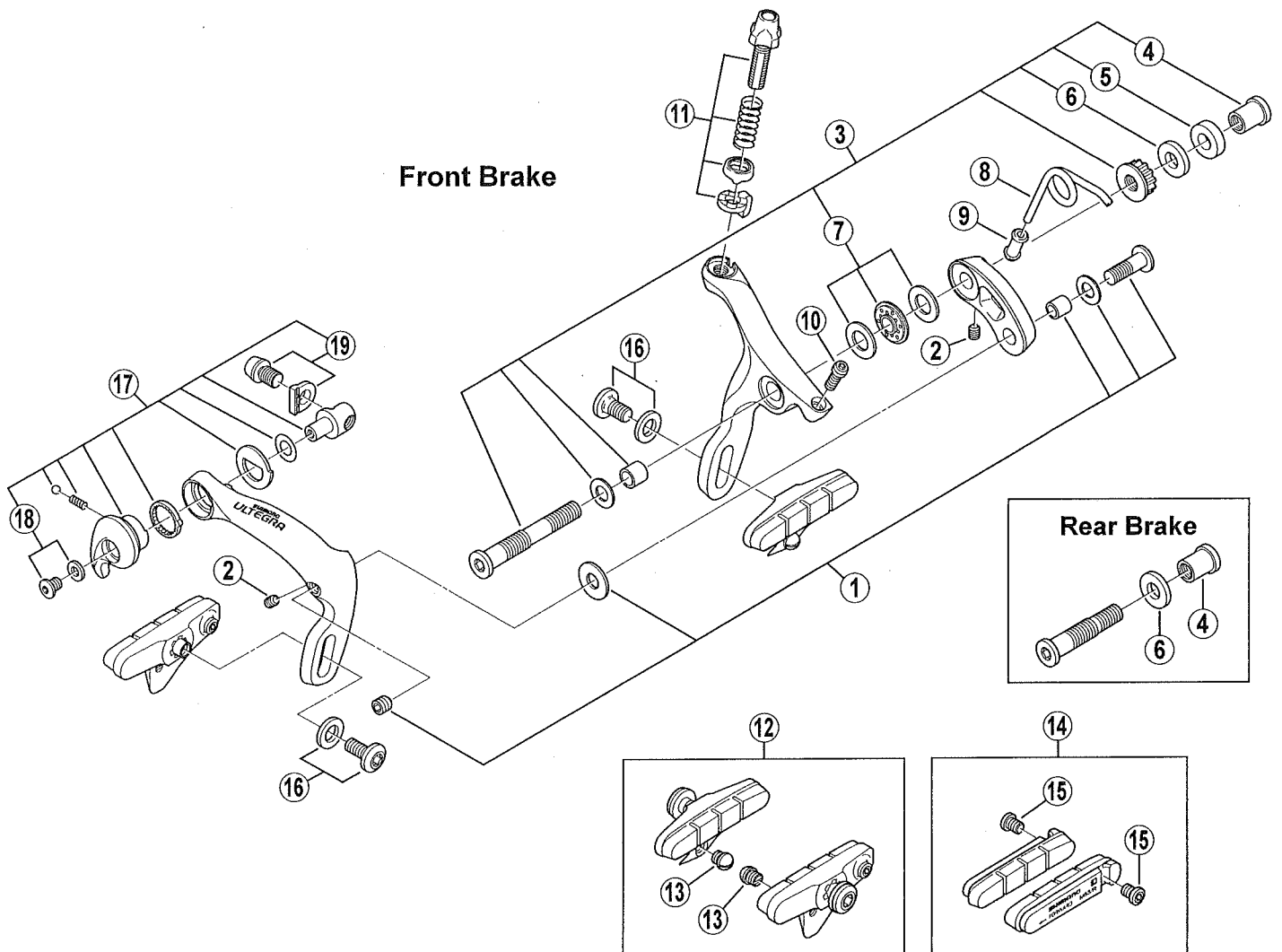


SHIMANO ULTEGRA Caliper Brake
BR-6500



Q'TY	ITEM NO.	SHIMANO CODE NO.	DESCRIPTION
	1	Y-83H 98020	Arm Bolt Unit (M6 x 17.5)
	2	Y-884 14200	Set Bolt
	* 3	Y-83H 98030	Front Pivot Bolt Assembly {Pivot Bolt: 50.7 mm (2") / Pivot Nut: 10.5 mm}
		Y-83H 98080	Front Pivot Bolt Assembly {Pivot Bolt: 50.7 mm (2") / Pivot Nut: 12.5 mm}
		Y-83H 98090	Front Pivot Bolt Assembly {Pivot Bolt: 50.7 mm (2") / Pivot Nut: 18.0 mm}
		Y-83H 98040	Rear Pivot Bolt Assembly {Pivot Bolt: 36.0 mm (1-13/32") / Pivot Nut: 10.5 mm}
	* 4	Y-855 75110	Pivot Nut (10.5 mm) for Front/Rear
	* 4	Y-855 75020	Pivot Nut (12.5 mm) for Front
		Y-855 74010	Pivot Nut (18.0 mm) for Front
	5	Y-858 50000	Spacer-F (4 mm)
	6	Y-858 50100	Spacer-R (2 mm)
	7	Y-84B 98050	Ball Retainer Unit (φ 7)
	8	Y-8FA 08000	Arm Spring
	9	Y-84B 11000	Sleeve
	10	Y-8FA 09000	EC-Bolt (M4 x 10.2)
	11	Y-83H 98050	Cable Adjusting Bolt Unit
	12	Y-83H 98010	Cartridge-Type Brake Shoe Set (Pair)
	13	Y-8FA 16000	Tire Guide
	14	Y-8FA 98020	Cartridge-Type Brake Shoes & Fixing Bolts (Pair)
	15	Y-8FA 17000	Fixing Bolt (M4 x 5.5)
	16	Y-8FA 98090	Shoe Fixing Bolt (M5 x 11.2) & Washer
	17	Y-83H 98070	Quick Release Assembly
	18	Y-8FA 98110	Quick Release Fixing Bolt (M4 x 4.8) & Washer
	19	Y-8FA 98120	Cable Fixing Bolt (M6 x 8.5) & Plate