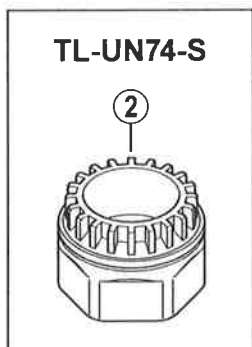
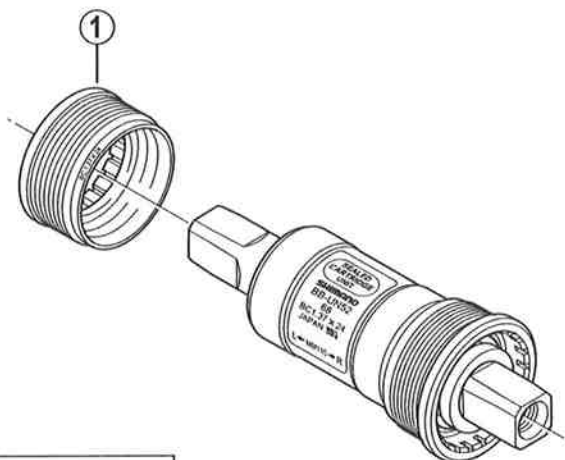


Bottom Bracket Assembly

BB-UN52

BB-UN52-E For Bracket Type Front Derailleur

BB-UN52-K For Chain Case & Bracket Type Front Derailleur



Q'TY	ITEM NO.	SHIMANO CODE NO.	DESCRIPTION
		Y-1SB 05000	Left Hand Adapter (B.C.1.37" x 24T) English Thread for Shell Width 68 mm
		Y-19X 05000	Left Hand Adapter (B.C.1.37" x 24T) English Thread for Shell Width 68 mm (MM107)
		Y-1T0 02100	Left Hand Adapter (B.C.1.37" x 24T) English Thread for Shell Width 68 mm (Chain Case Type)
	*	Y-1TN 05000	Left Hand Adapter (B.C.1.37" x 24T) English Thread for Shell Width 68 mm (BB-UN52-E)
	* 1	Y-19X 05300	Left Hand Adapter (B.C.1.37" x 24T) English Thread for Shell Width 68 mm (BB-UN52-K) / Shell Width 73 mm (MM107)
	*	Y-1TN 05310	Left Hand Adapter (B.C.1.37" x 24T) English Thread for Shell Width 73 mm
	*	Y-1TN 05300	Left Hand Adapter (B.C.1.37" x 24T) English Thread for Shell Width 73 mm (BB-UN52-E)
	*	Y-1TN 05210	Left Hand Adapter (M36 x 24T) Italian Thread for Shell Width 70 mm
	*	Y-19X 05200	Left Hand Adapter (M36 x 24T) Italian Thread for Shell Width 70 mm (MM107)
	*	Y-1TN 05200	Left Hand Adapter (M36 x 24T) Italian Thread for Shell Width 70 mm (BB-UN52-E)
	* 2	Y-130 09073	Adapter Removal Tool (TL-UN74-S)