

## Dealer's Manual

# Wireless Unit

SM-EWW01

## IMPORTANT NOTICE

- **This dealer's manual is intended primarily for use by professional bicycle mechanics.**  
Users who are not professionally trained for bicycle assembly should not attempt to install the components themselves using the dealer's manuals. If any part of the information on the manual is unclear to you, do not proceed with the installation. Instead, contact your place of purchase or a local bicycle dealer for their assistance.
- Make sure to read all instruction manuals included with the product.
- Do not disassemble or modify the product other than as stated in the information contained in this dealer's manual.
- All dealer's manuals and instruction manuals can be viewed on-line on our website (<http://si.shimano.com>).
- Please observe the appropriate rules and regulations of the country, state or region in which you conduct your business as a dealer.

**For safety, be sure to read this dealer's manual thoroughly before use, and follow it for correct use.**

The following instructions must be observed at all times in order to prevent personal injury and physical damage to equipment and surroundings. The instructions are classified according to the degree of danger or damage which may occur if the product is used incorrectly.

 **DANGER**

Failure to follow the instructions will result in death or serious injury.

 **WARNING**

Failure to follow the instructions could result in death or serious injury.


 **CAUTION**

Failure to follow the instructions could cause personal injury or physical damage to equipment and surroundings.

# TO ENSURE SAFETY

## ■ Introduction

### WARNING

- **When installing components, be sure to follow the instructions that are given in the instruction manuals.**  
It is recommended that you use only genuine Shimano parts. If parts such as bolts and nuts become loose or damaged, the bicycle may suddenly fall over, which may cause serious injury.  
In addition, if adjustments are not carried out correctly, problems may occur, and the bicycle may suddenly fall over, which may cause serious injury.
-  Be sure to wear safety glasses or goggles to protect your eyes while performing maintenance tasks such as replacing parts.
- After reading the dealer's manual thoroughly, keep it in a safe place for later reference.

### NOTE

#### Be sure to also inform users of the following:

- This is a small waterproof connector. Do not repeat connecting and disconnecting it. It may impair the function.
- Be careful not to let water get into the terminal.
- The components are designed to be fully waterproofed to withstand wet weather riding conditions; however, do not deliberately place them into water.
- Do not clean the bicycle in a high-pressure wash. If water gets into any of the components, operating problems or rusting may result.
- Handle the products carefully, and avoid subjecting them to any strong shocks.
- Do not use thinners or similar substances to clean the products. Such substances may damage the surfaces.
- Do not leave the product in an area exposed to strong sunlight for an extended period of time.
- Do not disassemble the product as it cannot be reassembled.
- When cleaning the product, use a cloth moistened with a diluted neutral detergent.
- Contact the place of purchase for updates of the product software. The most up-to-date information is available on the Shimano website.
- Products are not guaranteed against natural wear and deterioration from normal use and aging.
- For maximum performance we highly recommend Shimano lubricants and maintenance products.

#### Connection and communication with the PC

PC linkage devices can be used to connect a PC to the bicycle (system or components), and an E-tube Project can be used to carry out tasks such as customizing single components or the whole system and updating their firmware.

- PC linkage device: SM-PCE1/SM-BCR2
- E-tube Project: the PC application
- Firmware: the software inside each component

**TO ENSURE SAFETY**

▶▶ For Installation to the Bicycle, and Maintenance:

**■ For Installation to the Bicycle, and Maintenance:****NOTE**

- Always be sure to use the TL-EW02 Shimano original tool to remove the electric wires.
- Be sure to use the specified electric wire.
- Secure the electric wires with plastic tape so that they do not interfere with the chainrings, sprockets and tires.
- The strength of the adhesive is fairly weak, to prevent the paint on the frame from being peeled off at the same time when removing the double-sided tape on the wireless unit for reasons such as replacing the electric wires. If the double-sided tape on the wireless unit peels off, replace it with a new one. When removing the double-sided tape on the wireless unit, do not peel it off too vigorously. If this is not observed, the paint on the frame will peel off too.

**Notes when reinstalling and replacing components**

- When the product is reassembled or replaced, it is automatically recognized by the system to allow operation according to the settings.
- If the component configuration changes or malfunction is observed, use the E-tube Project software to update the firmware of each component to the latest version and perform a check again. Also make sure that the E-tube Project software is the latest version. If the software is not the latest version, the component compatibility or the product functions may not be sufficiently available.
- When installing to the bicycle, do not forcibly bend the electric wire plug. It may result in a poor contact.
- After removing the wireless unit from the bicycle frame, the double-sided tape for the spacer may remain on the frame. In that case, wipe it off with a cleaner.

The actual product may differ from the illustration because this manual is intended chiefly to explain the procedures for using the product.

## BEFORE INSTALLATION

### Compatible cycle computers

A D-FLY compatible cycle computer is required to use SM-EWW01.  
For details, refer to the manual for the cycle computer.



The types of information displayed depend on the products. Refer to the manual for your cycle computer.

### How to conduct pairing

To conduct pairing, the cycle computer needs to be in pairing mode. For information on how to put the cycle computer into pairing mode, refer to the manual for the cycle computer.

- 1) Put the cycle computer into pairing mode.
- 2) ■When using an external battery  
Check that the electric wires are connected to the wireless unit. Then, remove and remount the external battery.  
■When using a built-in battery  
Check that the electric wires are connected to the wireless unit. Then, remove the electric wires (two wires) from the wireless unit and reconnect them.  
(Pairing communication is conducted for a few tens of seconds after the battery is remounted or the electric wires are reconnected to the wireless unit.)
- 3) This completes the pairing process.

Check on the cycle computer to see if pairing has succeeded.

If pairing cannot be performed in the way described above, refer to the manual for your cycle computer.

For information on how to show the number of gears or the Di2 battery level, refer to the manual for the cycle computer.

### Updating firmware

For SM-BMR1, SM-BMR2, and SM-BTR2, the following firmware versions are required.

Use SM-PCE1 or SM-BCR2 to update the firmware in E-tube Project.

\* Pairing may fail if any version other than those specified below is used.

SM-BMR1: Version 3.0.5 or later

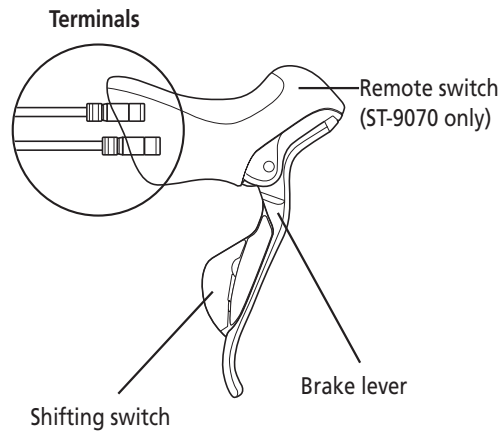
SM-BMR2: Version 3.0.5 or later

SM-BTR2: Version 3.0.5 or later

- When using the dual control lever built-in remote switch, SM-EWW01 firmware must be updated to version 3.0.3 or later.  
Use SM-PCE1 or SM-BCR2 to update the firmware in E-tube Project.

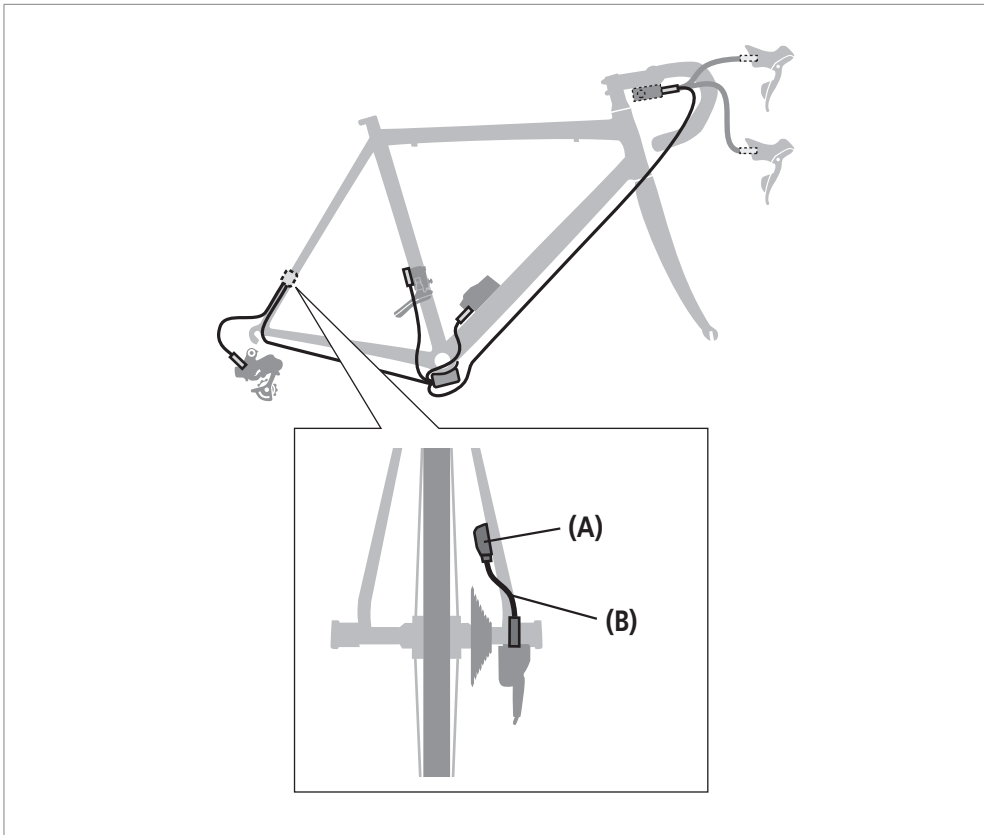
## Compatibility with dual control lever (ST-9070 only) built-in remote switch

- Using the dual control lever built-in remote switch in combination with SM-EWW01 enables control of the D-FLY compatible cycle computer and related components.
- The dual control lever built-in remote switch sends a switch signal via wireless through SM-EWW01.  
Please check the instruction manuals for compatible components as functions vary depending on the component.



# INSTALLATION

## Shape and size of the frame



(A) Wireless unit

(B) Electric wire



Attach the wireless unit to the seat stay of the bicycle frame.

**Installable circumference of the seat stay**  
40 mm - 75 mm

### CAUTION

Even if the circumference is within the above range, the wireless unit cannot be attached to a seat stay with a cross-section that is much wider than the wireless unit.

## ■ Installation of the wireless unit

**1**

Shift to the largest front chainring and to the smallest rear sprocket.

Wipe the dirt and dust off the frame, and if the frame is wet, dry it well before attaching.

**2**

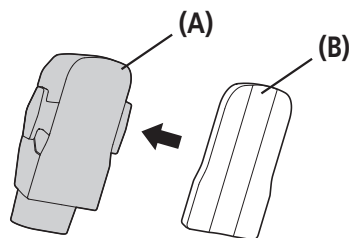
There are two types of spacers.

Choose the spacer that fits the frame.

Remove the release back sheet from the spacer and attach the spacer to the wireless unit.

Be careful about the orientation of the rubber sheet.

Attach it with its wider side facing the connector.



(A) Wireless unit

(B) Spacer

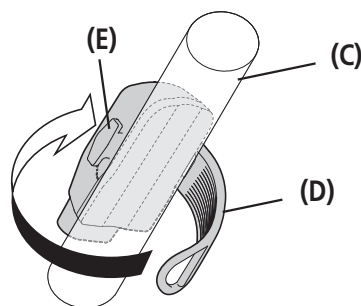


After attaching the rubber sheet, hold down the entire surface with your finger for approximately 1 minute.

**3**

Temporarily fix the wireless unit to the frame with the fixing band.

Put the fixing band on one hook and pull the band to put it on the other hook.



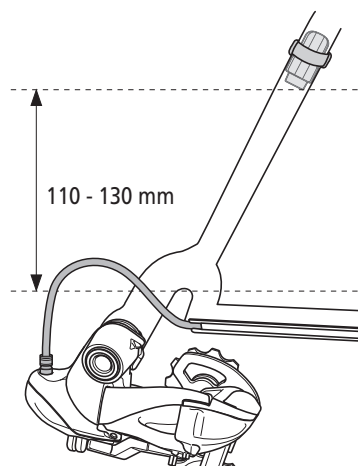
(C) Frame

(D) Fixing band

(E) Hook

**4**

Fix it at a height of 110 to 130 mm above the rear hub axle.



### CAUTION

There is no guarantee that the wireless unit will be able to communicate normally if it is attached to the inside of the bicycle frame or anywhere other than to the seat stay.



You need an additional electric wire 200 mm or longer to connect the wireless unit to the rear derailleur.

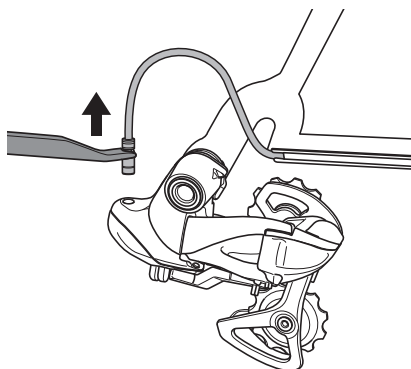


## INSTALLATION

### ▶▶ Installation of the wireless unit

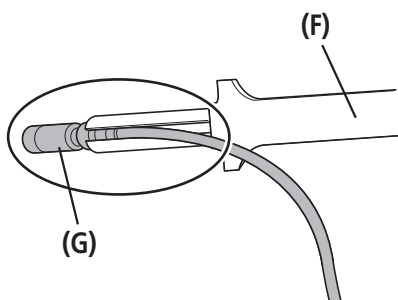
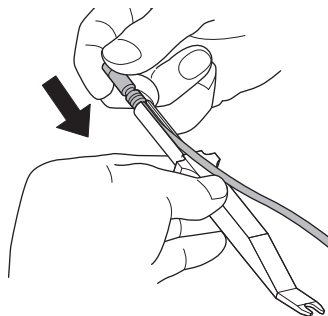
5

Disconnect the electric wire from the rear derailleur.

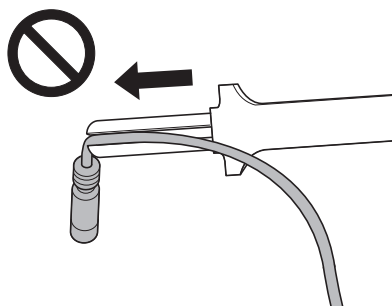


6

Pass the electric wire through TL-EW02.  
Set so that the projection on the connector is aligned with the groove on the narrow end.



OK



Not OK

## CAUTION

Use the Shimano original tool (TL-EW02) for installation and removal of the electric wire.

(F) TL-EW02  
(G) Plug

## CAUTION

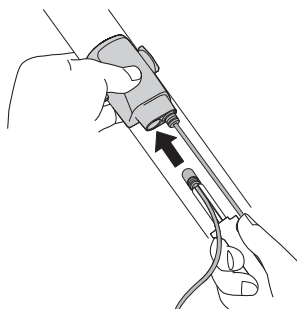
When installing the electric wire, do not forcibly bend the plug. It may result in a poor contact.

When connecting the electric wire, push it in until it clicks in place.

7

Connect the following two electric wires to the wireless unit.

- Electric wire disconnected from the rear derailleur
- Additional electric wire



Hold the wireless unit in your hand when connecting or disconnecting the electric wire from the wireless unit.

8

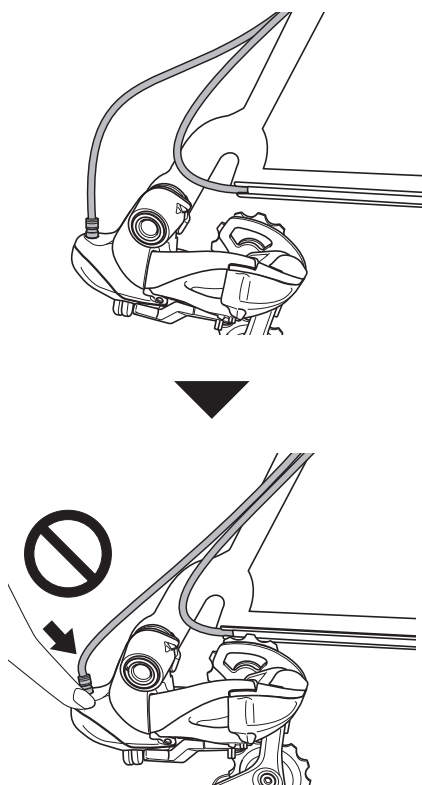
Connect the electric wire to the rear derailleur.

## INSTALLATION

### ▶▶ Installation of the wireless unit

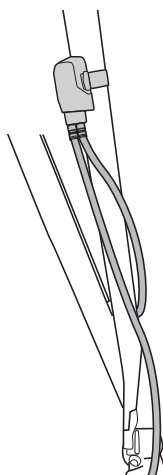
9

Check the excess length of the electric wire. (For a racing type rear derailleur, push up the rear derailleur by hand until it touches the frame, and check the electric wire while holding the rear derailleur in that position.) If the electric wire does not have enough slack, make some fine adjustments to the height of the wireless unit.



10

Secure the wireless unit to the frame.

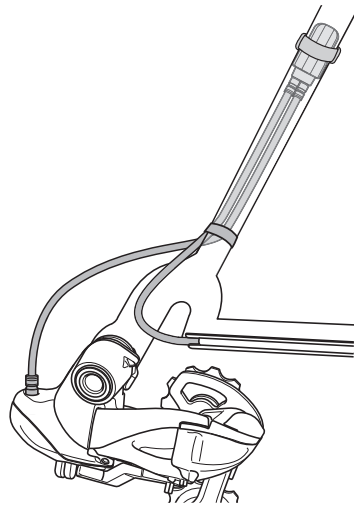


## INSTALLATION

### ▶▶ Installation of the wireless unit

11

Secure the electric wire to the frame.



## CAUTION

If the electric wire is too long, it may interfere with the cassette sprocket or chain. Use plastic tape, etc. to secure the slack electric wire to the frame.

# SHIMANO

## **SHIMANO NORTH AMERICA BICYCLE, INC.**

One Holland, Irvine, California 92618, U.S.A. Phone: +1-949-951-5003

## **SHIMANO EUROPE B.V.**

High Tech Campus 92, 5656 AG Eindhoven, The Netherlands Phone: +31-402-612222

## **SHIMANO INC.**

3-77 Oimatsu-cho, Sakai-ku, Sakai-shi, Osaka 590-8577, Japan

Please note: specifications are subject to change for improvement without notice. (English)

© May 2018 by Shimano Inc. ITP