

## Dealer's Manual

|                               |             |          |
|-------------------------------|-------------|----------|
| ROAD                          | MTB         | Trekking |
| City Touring/<br>Comfort Bike | URBAN SPORT | E-BIKE   |

# Shifting lever

### DEORE XT

SL-T8000

### DEORE

SL-T6000

SL-M5130

# CONTENTS

|   |           |
|---|-----------|
| <b>IMPORTANT NOTICE.....</b>                              | <b>3</b>  |
| <b>TO ENSURE SAFETY.....</b>                              | <b>4</b>  |
| <b>LIST OF TOOLS TO BE USED.....</b>                      | <b>7</b>  |
| <b>INSTALLATION .....</b>                                 | <b>9</b>  |
| Installation to the handlebar .....                       | 9         |
| <b>MAINTENANCE .....</b>                                  | <b>11</b> |
| Replacing the inner cable.....                            | 11        |
| Replacement and reassembly of the indicator unit.....     | 13        |
| Replacement and assembly of the shifting lever unit ..... | 17        |

## IMPORTANT NOTICE

- **This dealer's manual is intended primarily for use by professional bicycle mechanics.**

Users who are not professionally trained for bicycle assembly should not attempt to install the components themselves using the dealer's manuals. If any part of the information on the manual is unclear to you, do not proceed with the installation. Instead, contact your place of purchase or a local bicycle dealer for their assistance.

- Make sure to read all instruction manuals included with the product.
- Do not disassemble or modify the product other than as stated in the information contained in this dealer's manual.
- All manuals and technical documents are accessible online at <https://si.shimano.com>.
- For consumers who do not have easy access to the internet, please contact a SHIMANO distributor or any of the SHIMANO offices to obtain a hardcopy of the User's Manual.
- Please observe the appropriate rules and regulations of the country, state or region in which you conduct your business as a dealer.

**For safety, be sure to read this dealer's manual thoroughly before use, and follow it for correct use.**

The following instructions must be observed at all times in order to prevent personal injury and physical damage to equipment and surroundings. The instructions are classified according to the degree of danger or damage which may occur if the product is used incorrectly.

 **DANGER**

Failure to follow the instructions will result in death or serious injury.

 **WARNING**


Failure to follow the instructions could result in death or serious injury.

 **CAUTION**

Failure to follow the instructions could cause personal injury or physical damage to equipment and surroundings.

## TO ENSURE SAFETY

### WARNING

- **Be sure to follow the instructions provided in the manuals when installing the product.**  
Only use SHIMANO genuine parts. If a component or replacement part is incorrectly assembled or adjusted, it can lead to component failure and cause the rider to lose control and crash.
-  Wear approved eye protection while performing maintenance tasks such as replacing components.

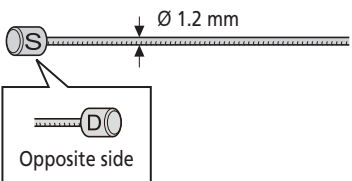
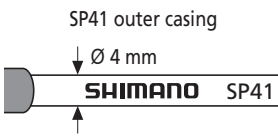
### NOTICE

**Be sure to also inform users of the following:**

- Be sure to keep turning the crank arm during the shifting lever operation.
- If gear shifting operation does not feel smooth, consult the place of purchase for assistance.
- Products are not guaranteed against natural wear and deterioration from normal use and aging.
- For maximum performance we highly recommend Shimano lubricants and maintenance products.

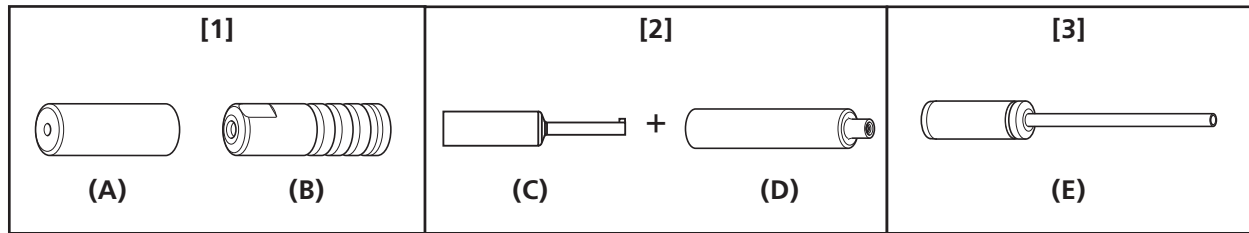
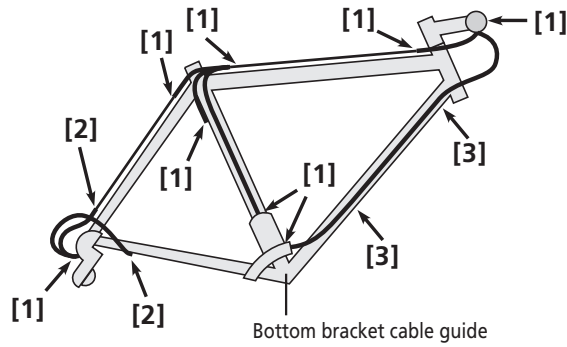
**For Installation to the Bicycle, and Maintenance:**

- Grease the inner cable and the sliding portions of the outer casing before use to ensure that they slide properly.
- Use an outer casing [OT-SP41] and a cable guide (SM-SP17/SP18) for smooth operation.
- A special grease is used for the gear shifting cable. Do not use Premium Grease or other types of grease, otherwise they may cause deterioration in gear shifting performance.
- Use an outer casing which still has some length to spare even when the handlebars are turned all the way to both sides. Furthermore, check that the shifting lever does not touch the bicycle frame when the handlebars are turned all the way.
- If gear shifting adjustments cannot be carried out, check that the rear dropouts are aligned. Check whether the cable is lubricated and clean, and if the outer casing is too long or short.
- List of cables used

|                                  | Dedicated inner cable   | Recommended outer casing   |
|----------------------------------|---|--|
| SL-T8000<br>SL-T6000<br>SL-M5130 |  |  |

- \* Refer to the list of recommended outer caps.
- \* Do not let dust adhere on the inner cable. If the grease on the inner cable is wiped off, the application of SIS SP41 grease (Y04180000) is recommended.

• Chart of recommended outer caps



| Type of cap |            | Remarks  |
|-------------|------------|--|
| <b>[1]</b>  | <b>(A)</b> | Sealed outer cap (aluminum type)<br>FD/RD side   |
|             | <b>(B)</b> | Sealed outer cap (resin type)<br>FD/RD/Shifting lever side   |
| <b>[2]</b>  | <b>(C)</b> | Sealed outer cap with tongue<br>Outer casing holder on frame side  |
|             | <b>(D)</b> | Rubber shield  |
| <b>[3]</b>  | <b>(E)</b> | Outer cap with long tongue<br>Applies if the outer casing angle is large in the case of built-in frame routing<br>If the inner cable is in contact with metallic parts of the frame in the case of a frame with built-in cable routing |





- Before using SL-M5130 and other LINKGLIDE products, check the combinations listed in the compatibility information (<https://productinfo.shimano.com/#/com>). LINKGLIDE product specifications differ from other products and therefore cannot be used.  
 11-speed specifications: <https://productinfo.shimano.com/#/com?cid=C-432&acid=C-435>  
 10-speed specifications: <https://productinfo.shimano.com/#/com?cid=C-432&acid=C-436>

The actual product may differ from the illustration because this manual is intended mainly to explain the procedures for using the product.

# LIST OF TOOLS TO BE USED

## LIST OF TOOLS TO BE USED

The following tools are needed for installation/removal, adjustment, and maintenance purposes.

| Tool   |                             | Tool  |                             |
|--|-----------------------------|---|-----------------------------|
|  | 4 mm hexagon wrench         |  | Cross head screwdriver [#2] |
|  | Cross head screwdriver [#1] |  | Screwdriver                 |

# INSTALLATION



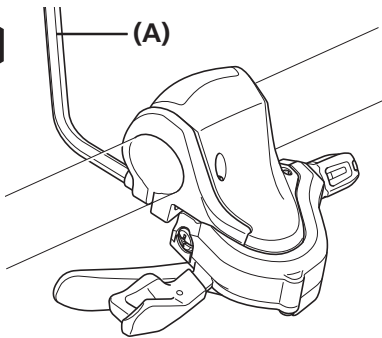
# INSTALLATION

## ■ Installation to the handlebar

### NOTICE

- When installing components to a carbon frame (handlebars), there is a risk of causing damage to the frame (handlebars) or inadequate fixing force, even at the recommended tightening torque. Verify the appropriate torque to apply with the bicycle or frame (handlebar) manufacturer.
- Check that the brake and gear shifting operations are not obstructed. Do not use in a combination which causes brake operation to be obstructed.

**4**



Use a handlebar grip with the following maximum outer diameter.

DEORE XT: Ø32 mm or less  
DEORE: Ø36 mm or less

**(A)** 4 mm hexagon wrench

| Tightening torque |                  |
|-------------------|------------------|
| <b>4</b>          | <b>3 - 4 N·m</b> |

# MAINTENANCE

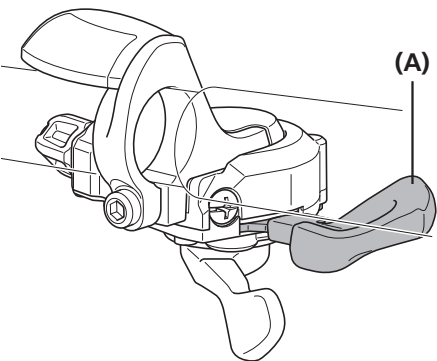
# MAINTENANCE

## ■ Replacing the inner cable

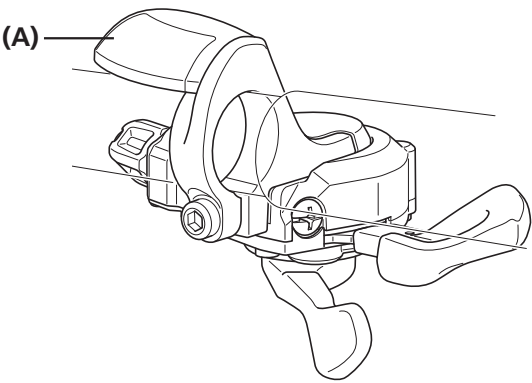
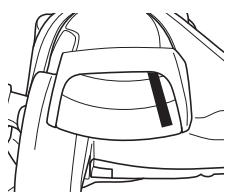
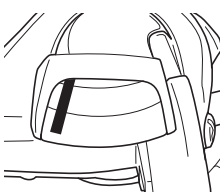
Refer to the SIS adjustment section in General Operations for information on installation to the derailleur and necessary adjustments.

### Replacement procedure

\* The illustration is of the right hand lever.

|   |   |  |
|---|---|--|
| 1 |  | <p>Operate the release lever to set the chain on the smallest chainring / smallest sprocket.</p> |
|---|---|--|

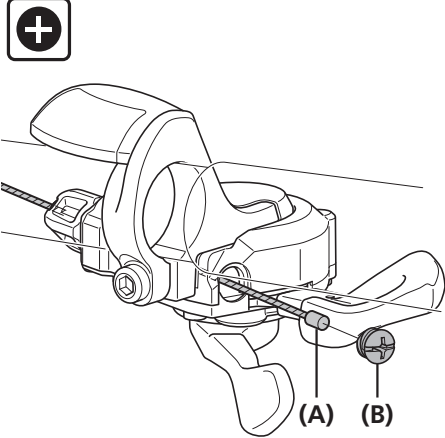
(A) Release lever

|   |  |  |
|---|--|--|
| 2 | <p>When there is an indicator, check the position of the pointer on the indicator.</p>                             |  |
|   |                                 |  |
|   | <p><b>Front: right end</b></p>  | <p><b>Rear: left end</b></p>  |

(A) Indicator

▶ Replacing the inner cable

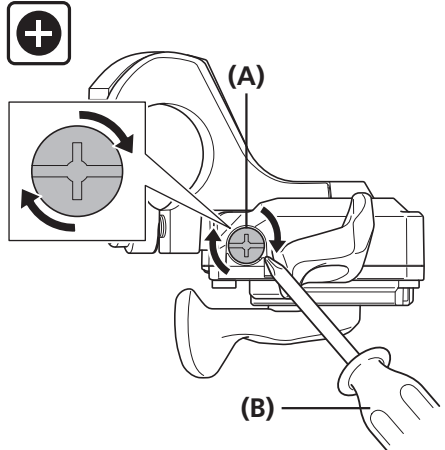
**3**



Then remove the inner hole cap and install the cable.

(A) Inner cable  
(B) Wire end hooking cap

**4**



Install the inner hole cap by turning it as shown in the illustration until it stops.

Do not turn it any further than this otherwise it may damage the thread on the cap.

(A) Wire end hooking cap  
(B) Screwdriver

## ■ Replacement and reassembly of the indicator unit

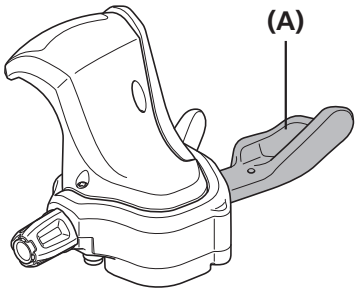
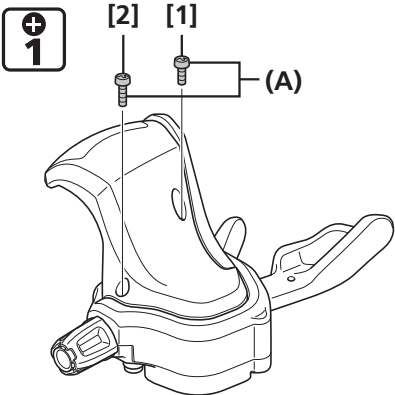
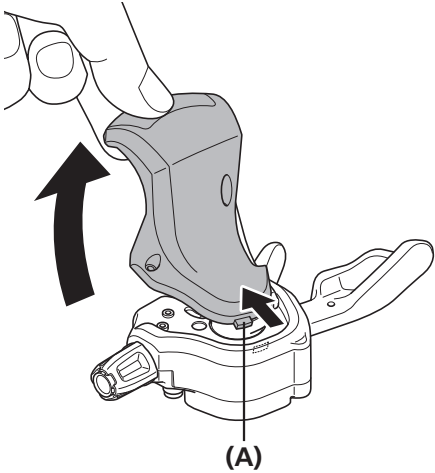
### NOTICE

Disassembly and assembly should only be carried out when removing or replacing the indicator unit.

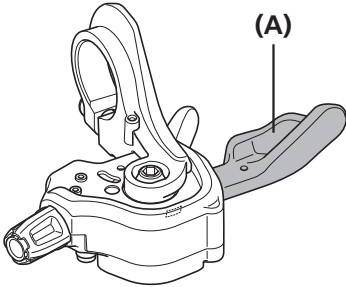
### DEORE XT

\* The illustration is of the left hand lever.

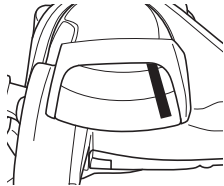
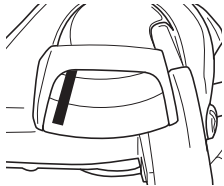
#### Disassembly procedure

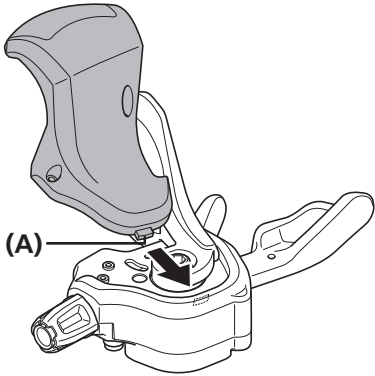
|                 |   |  |   |
|-----------------|---|--|---|
| <p><b>1</b></p> |    | <p>Operate the release lever 3 or more times (9 or more times for the rear).</p>   | <p><b>(A)</b> Release lever</p>   |
| <p><b>2</b></p> |  | <p>Remove the indicator fixing screws [1] and [2] which are securing the indicator unit.</p>                                 | <p><b>(A)</b> Indicator fixing screw</p> <p><b>NOTICE</b></p> <p>Do not mix up screws [1] and [2]. If they are mixed up, damage may result.</p> |
| <p><b>3</b></p> |  | <p>Lift up the lens of the indicator unit to disengage the catch as shown in the illustration and then remove it upward.</p> | <p><b>(A)</b> Hook</p>  |

**Assembly procedure**

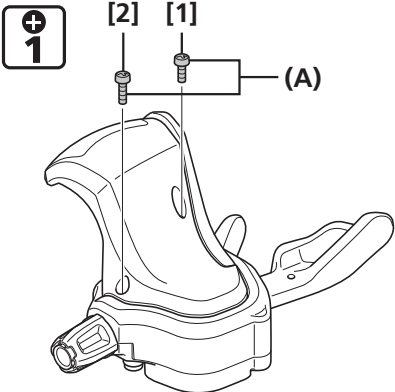
|          |   |  |
|----------|---|--|
| <b>1</b> |  | <p>Operate the release lever 3 or more times (9 or more times for the rear).</p> |
|----------|---|--|

**(A)** Release lever

|  |  |  |
|--|--|--|
| <p>Check the position of the pointer on the indicator.</p> |  |  |
| <b>2</b>   | <p><b>Front: right end</b></p>  | <p><b>Rear: left end</b></p>  |

|          |  |  |
|----------|--|--|
| <b>3</b> |  | <p>Install the indicator unit by first engaging the catch.</p> |
|----------|--|--|

**(A)** Hook

|          |   |   |
|----------|---|---|
| <b>4</b> |  | <p>Secure it by tightening indicator fixing screws [1] and [2].</p> |
|----------|---|---|

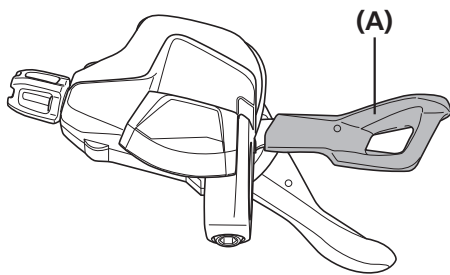
**(A)** Indicator fixing screw

| Tightening torque |                |
|-------------------|----------------|
| <b>1</b>          | 0.15 - 0.2 N·m |

|          |  |
|----------|--|
| <b>5</b> | <p>Check that it is operating correctly.</p> <p>If it does not operate correctly, reassemble while paying particular attention to steps <b>1</b> and <b>2</b>.</p> |
|----------|--|

DEORE

1

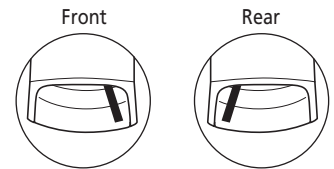


Operate the release lever 3 or more times (10 or more times for the rear).

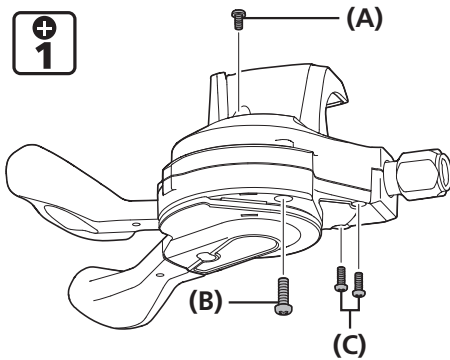
(A) Release lever

**NOTICE**

- The illustration is of the left hand lever.
- Make sure that the indicator needle is in the position shown in the illustration.



2



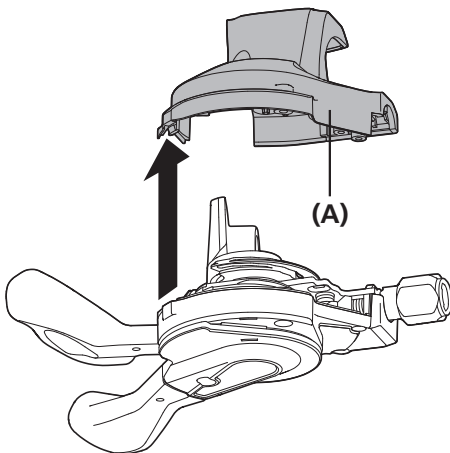
Remove the 4 indicator fixing screws.

(A) Indicator fixing screw

(B) Shifting lever unit mounting screw (medium)

(C) Shifting lever unit mounting screw (small)

3

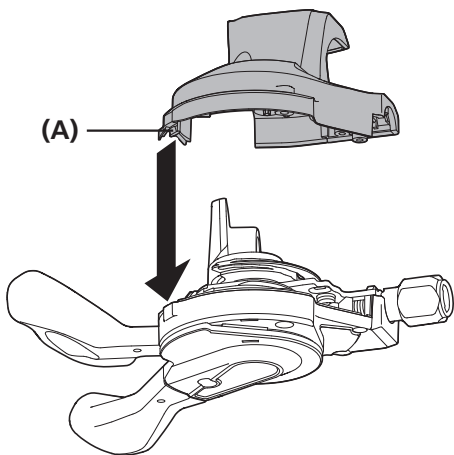


Remove the indicator unit in the direction of the arrow.

(A) Indicator unit

Replacement and reassembly of the indicator unit

4

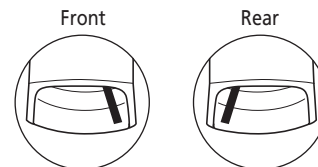


Install the indicator unit by first engaging the hook.

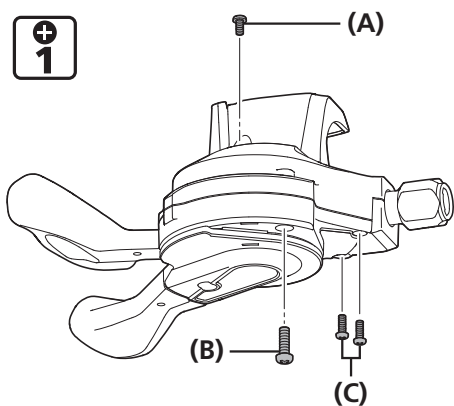
(A) Hook

**NOTICE**

- Before assembly, operate the release lever 3 or more times (10 or more times for the rear).
- Make sure that the indicator needle is in the position shown in the illustration.



5



Secure with the indicator fixing screw. Operate it to check the operation. If it does not operate correctly, reassemble the unit while paying attention to the operation of the lever and the position of the indicator needle.

- (A) Indicator fixing screw
- (B) Shifting lever unit mounting screw (medium)
- (C) Shifting lever unit mounting screw (small)

Tightening torque (A) (C)

|  |                |
|--|----------------|
|  | 0.15 - 0.2 N·m |
|--|----------------|

Tightening torque (B)

|  |                |
|--|----------------|
|  | 0.1 - 0.15 N·m |
|--|----------------|



## ■ Replacement and assembly of the shifting lever unit

### NOTICE

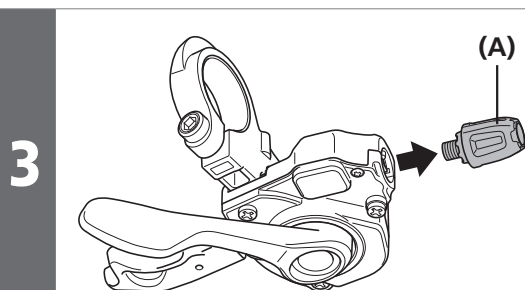
Disassembly and assembly should only be carried out when replacing the shifting lever unit.

### DEORE XT

#### Disassembly procedure

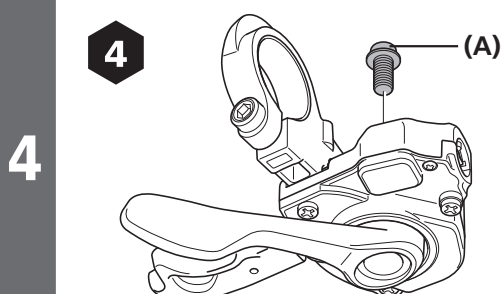
**1** Loosen the cable fixing bolt (nut) of the front derailleur or rear derailleur, and then pull the inner cable out of the shifting lever unit in the same way as when installing the inner cable.

**2** Follow the disassembly procedure in "Replacement of the indicator unit" and remove the indicator unit.



Remove the adjustment bolt.

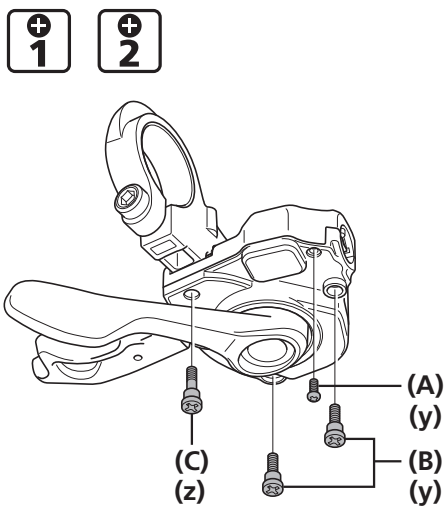
**(A)** Adjustment bolt



Remove the unit fixing bolt.

**(A)** Unit fixing bolt (M5×9.5 mm)

**5**



Remove the 4 shifting lever unit fixing screws.

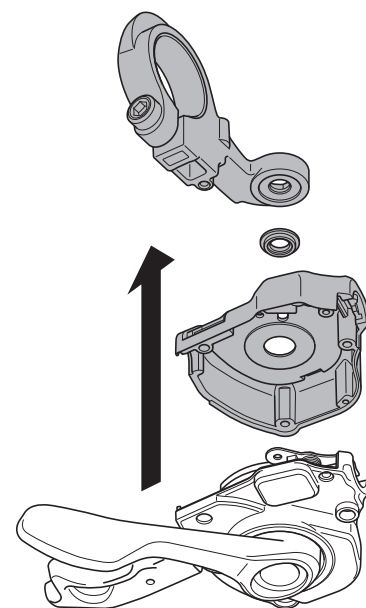
- (y) Screwdriver[#1]
- (z) Screwdriver[#2]

- (A) Shifting lever fixing screw (small)
- (B) Shifting lever fixing screw (large)
- (C) Shifting lever fixing screw (large)

**NOTICE**

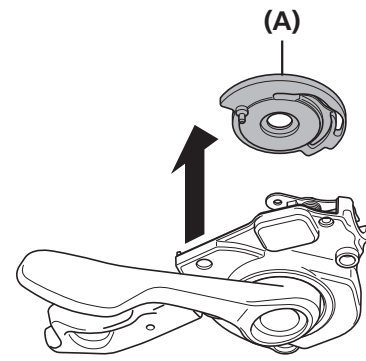
Be careful not to mix up screws (A), (B), and (C).

**6**



Remove the shifting lever unit as shown in the illustration.

**7**

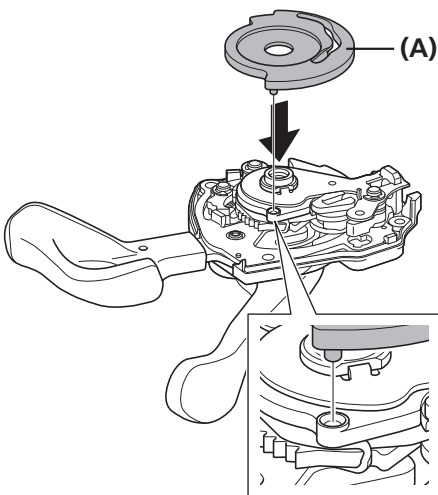


Remove the pin plate from the shifting lever unit.

- (A) Pin plate

Assembly procedure

**1**

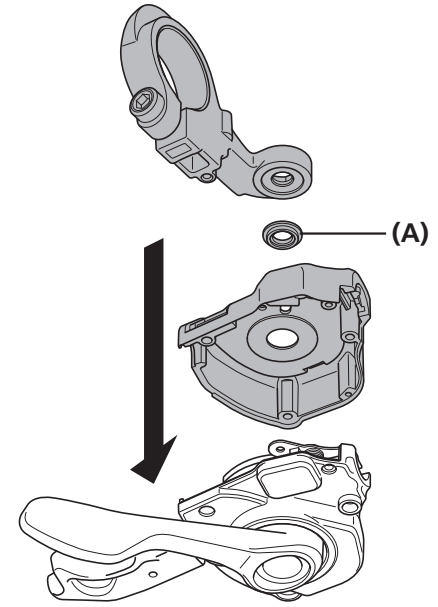


Install the pin plate to the newly-assembled shifting lever unit.

Insert the projections on the pin plate into the holes in the shifting lever unit as shown in the illustration.

(A) Pin plate

**2**



Set in place by aligning the shifting lever unit and the bracket.

(A) M5 bolt spacer

**NOTICE**

Make sure to use the M5 bolt spacer.

Replacement and assembly of the shifting lever unit

**3**

Secure with 4 shifting lever unit fixing screws.

- (A) Shifting lever fixing screw (small)
- (B) Shifting lever fixing screw (large)
- (C) Shifting lever fixing screw (large)

| (A) Tightening torque |                |
|-----------------------|----------------|
| <b>1</b>              | 0.08 - 0.1 N·m |

| (B) Tightening torque |                |
|-----------------------|----------------|
| <b>1</b>              | 0.15 - 0.2 N·m |

| (C) Tightening torque |               |
|-----------------------|---------------|
| <b>2</b>              | 0.5 - 0.7 N·m |

**4**

Tighten the unit fixing bolt.

- (A) Unit fixing bolt (M5×9.5 mm)

| Tightening torque |               |
|-------------------|---------------|
| <b>4</b>          | 2.5 - 3.5 N·m |

**5**

Install the adjustment bolt.

- (A) Adjustment bolt

**6** Follow the assembly procedure in "Replacement of the indicator unit" and install the indicator unit.

# SHIMANO

**SHIMANO NORTH AMERICA BICYCLE, INC.**

One Holland, Irvine, California 92618, U.S.A. Phone: +1-949-951-5003

**SHIMANO EUROPE B.V.**

High Tech Campus 92, 5656 AG Eindhoven, The Netherlands Phone: +31-402-612222

**SHIMANO INC.**

3-77 Oimatsu-cho, Sakai-ku, Sakai City, Osaka 590-8577, Japan

Please note: specifications are subject to change for improvement without notice. (English)

© Dec. 2020 by SHIMANO INC. ITP