

Dealer's Manual

ROAD	GRAVEL	MTB
E-BIKE	LIFESTYLE	GENERAL

Torque Chart

ROAD

DURA-ACE Di2
DURA-ACE
ULTEGRA Di2
ULTEGRA
SHIMANO 105 Di2
SHIMANO 105
SHIMANO

MTB

XTR Di2
XTR
DEORE XT
SLX

E-BIKE

EP8
EP6
E8000
E8080 (Japan)
E7000
E6100
E6180 (Japan)
E6000
E5000
E5080 (Japan)
SHIMANO (E-BIKE)

LIFESTYLE

SHIMANO CUES

Contents

Notice	4
ROAD	5
Hydraulic Disc Brake Caliper.....	5
Dual Pivot Caliper Brake.....	7
DUAL CONTROL LEVER	8
Rear Derailleur	15
Front Derailleur.....	17
Wheel Set (Rim Brake)	18
Wheel Set (Disc Brake).....	20
Cassette.....	22
Crankset.....	23
Crankset with Power Meter	24
Threaded Bottom Bracket	25
Rotor	26
Pedal	26
MTB	27
System Information Display.....	27
Shift Switch.....	28
Seat Post Lever	29
Hydraulic Disc Brake Caliper.....	30
Hydraulic Disc Brake Lever	35
Shifter	37
Rear Derailleur	43
Front Derailleur.....	45
Mount Adapter	47
Hub set (Disc brake)	49
Wheel Set (Disc Brake).....	53
Cassette.....	55
Crankset.....	56

Threaded Bottom Bracket	60
Rotor	61
Pedal	62
E-BIKE.....	64
Cycle Computer	64
Switch Unit	66
Drive Unit	70
Chain Device	71
Chainring	74
Crank Arm	76
Battery	77
Battery Mount.....	79
Satellite Charging Port	87
Satellite System ON/OFF Switch	88
Speed Sensor	89
LIFESTYLE.....	91
Hydraulic Disc Brake Caliper.....	91
Hydraulic Disc Brake Lever	92
Shifter	93
Rear Derailleur	95
Front Derailleur.....	96
Hub set (Disc brake).....	97
Cassette.....	99
Crankset.....	100
Threaded Bottom Bracket	102
Rotor	102

Notice







- This content has been compiled for the higher-end models in each series.
- Although every effort has been made to keep the content as up-to-date as possible, we cannot guarantee that the contents are the most current available.

For the latest information and other details, refer to the dealer's manual for each product.

ROAD

Hydraulic Disc Brake Caliper

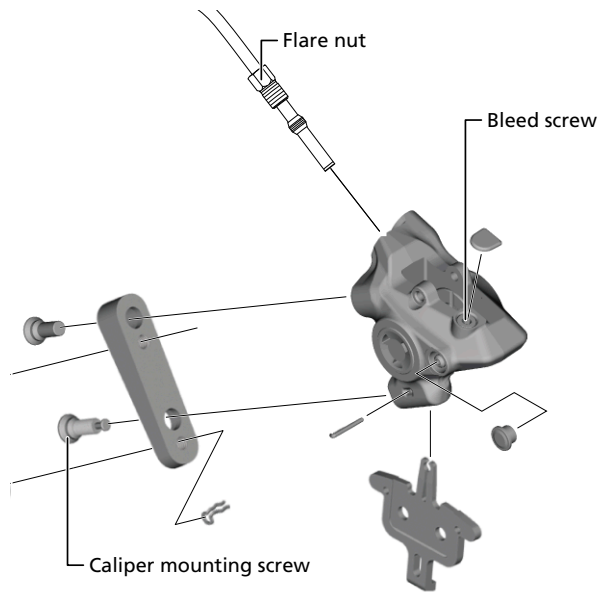
BR-R9270, BR-R9170, BR-R8170, BR-R8070, BR-R7170, BR-R7070

Parts Name	Model	Torque (N·m)	Tools	
Flare nut	BR-R9270, BR-R8170, BR-R7170	5 - 6		8 mm spanner
	BR-R9170, BR-R8070, BR-R7070	5 - 7		
Pad axle	BR-R9270, BR-R9170, BR-R8070, BR-R7070	0.2 - 0.4		Slotted screwdriver 0.8 x 4
	BR-R8170, BR-R7170	2 - 4		3 mm hexagon wrench
Caliper mounting screw	All	6 - 8		4 mm hexagon wrench
Bleed screw	BR-R9270, BR-R8170, BR-R7170	4 - 6		3 mm hexagon wrench
Bleed nipple	BR-R9170, BR-R8070, BR-R7070	4 - 7		7 mm box wrench

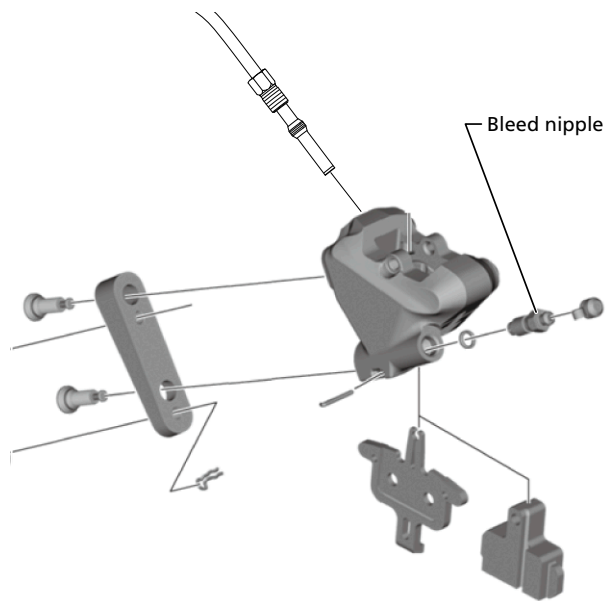
Reference image

- Example) BR-R9270

Hydraulic Disc Brake Caliper



- Example) BR-R9170



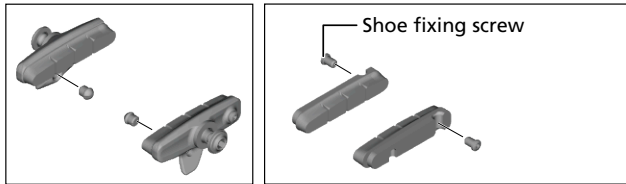
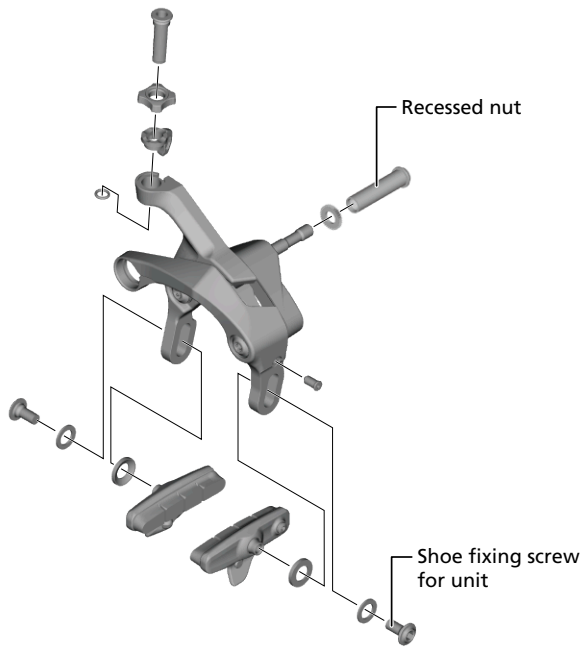
Dual Pivot Caliper Brake

BR-R9200, BR-R9210, BR-R9100, BR-R9110, BR-R8100, BR-R8110, BR-R8000, BR-R8010, BR-R7000, BR-R7010

Parts Name	Model	Torque (N·m)	Tools	
Mounting screw	BR-R9210, BR-R9110, BR-R8110, BR-R8010, BR-R7010	5 - 7	4	4 mm hexagon wrench
Recessed nut	BR-R9200, BR-R9100, BR-R8100, BR-R8000, BR-R7000	8 - 10	5	5 mm hexagon wrench
Inner cable fixing screw	All	6 - 8	4	4 mm hexagon wrench
Shoe fixing screw for unit	All	5 - 7	4	4 mm hexagon wrench
Shoe fixing screw	All	1 - 1.5	2	2 mm hexagon wrench





Reference image

- Example) BR-R9200



DUAL CONTROL LEVER

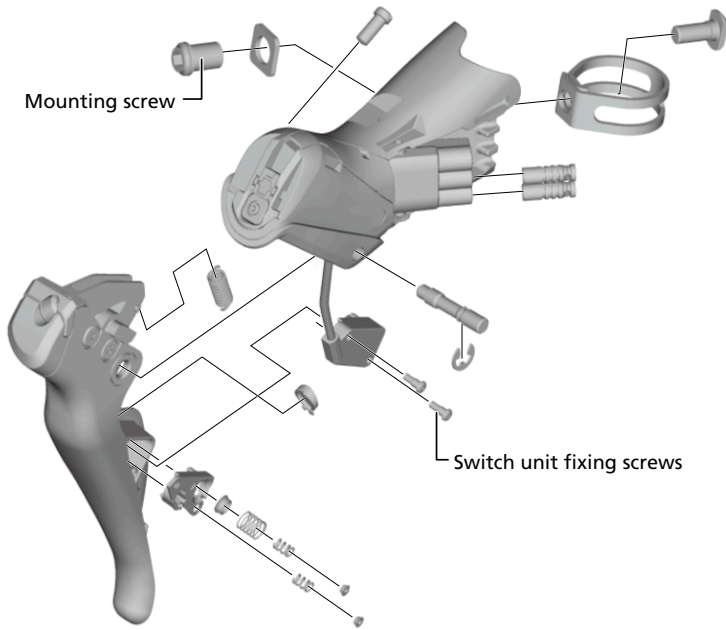
ST-R9250, ST-R9150, ST-R9100, ST-R8150, ST-R8050, ST-R8000, ST-R7000

Parts Name	Model	Torque (N·m)	Tools	
Mounting screw	All	6 - 8		5 mm hexagon wrench
Switch unit fixing screws	ST-R9150, ST-R8050	0.1		Hexalobular [#5]
Name plate fixing screws	ST-R9100, ST-R8000, ST-R7000	0.15 - 0.2		Screwdriver[#1]
Unit cover fixing screws	ST-R9100, ST-R8000, ST-R7000	0.2 - 0.25		Screwdriver[#1]

Reference image

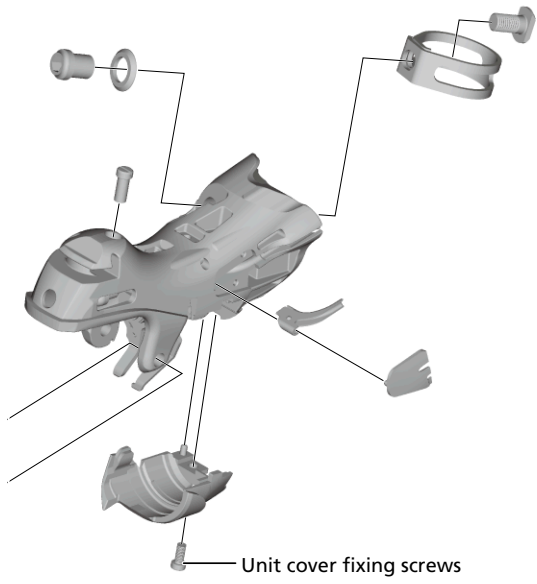
- Example) ST-R9150

ROAD DUAL CONTROL LEVER




- Example) ST-R9100

ROAD
DUAL CONTROL LEVER



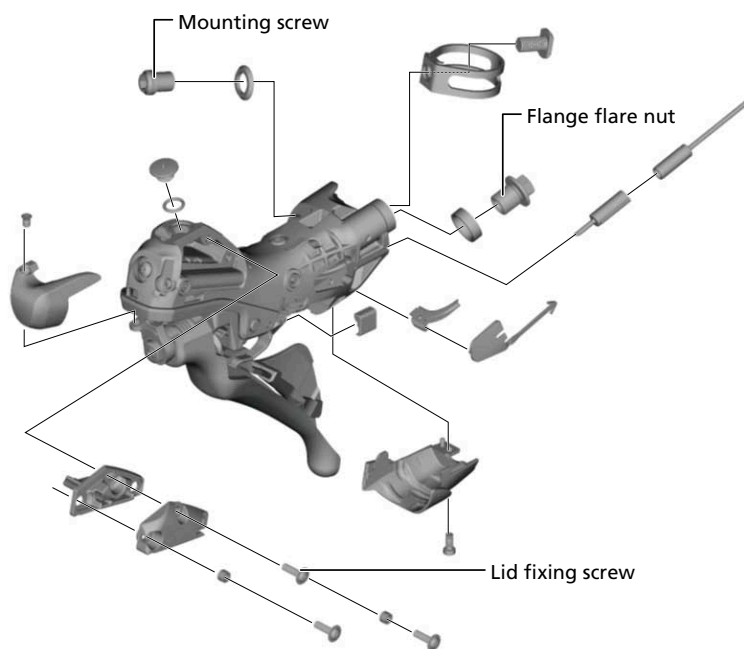
ST-R9270, ST-R9170, ST-R9120, ST-R8170, ST-R8070, ST-R8020, ST-R8025, ST-R7170, ST-R7020, ST-R7025

Parts Name	Model	Torque (N·m)	Tools	
Mounting screw	All	6 - 8		5 mm hexagon wrench
Flange flare nut	All	5 - 6		8 mm spanner
Bleed screw	ST-R9270, ST-R8170, ST-R7170	0.5 - 0.7		2.5 mm hexagon wrench
	ST-R9170, ST-R9120, ST-R8070, ST-R8020, ST-R8025, ST-R7020, ST-R7025	0.5 - 0.7		2 mm hexagon wrench
Battery holder fixing screw	ST-R9270, ST-R8170, ST-R7170	0.4		Slotted screwdriver 0.8 x 4
Name plate fixing screws	ST-R9120, ST-R8020, ST-R8025, ST-R7020, ST-R7025	0.15 - 0.2		Screwdriver[#1]
Unit cover fixing screws	ST-R9120, ST-R8020, ST-R8025, ST-R7020, ST-R7025	0.2 - 0.25		Screwdriver[#1]
Lid fixing screw	ST-R9120, ST-R8020, ST-R8025, ST-R7020, ST-R7025	0.8		Hexalobular [#8]






Reference image

- Example) ST-R9120

ROAD
DUAL CONTROL LEVER



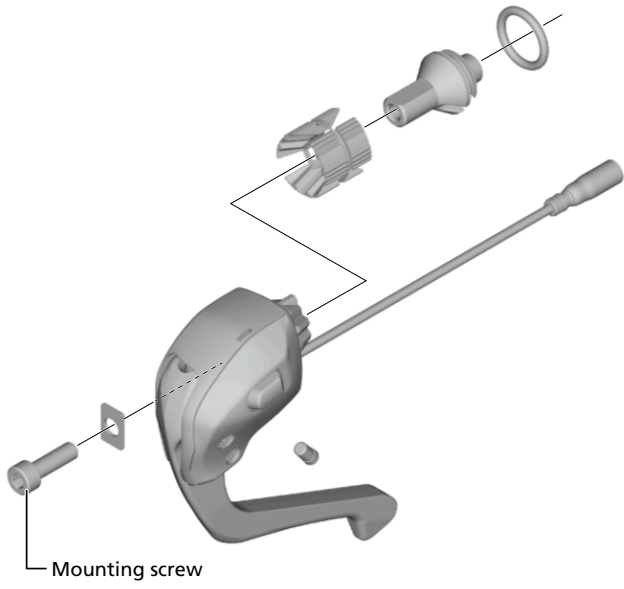
ST-R9180, ST-R9160, ST-R8060

Parts Name	Model	Torque (N·m)	Tools	
Mounting screw	ST-R9160, ST-R8060	6 - 8		4 mm hexagon wrench
	ST-R9180	1 - 1.3		2 mm hexagon wrench
Flare nut	ST-R9180	5 - 6		8 mm spanner
Bleed screw	ST-R9180	0.5 - 0.7		2 mm hexagon wrench
Shoe screw	ST-R9180	0.3 - 0.5		1.5 mm hexagon wrench

Reference image

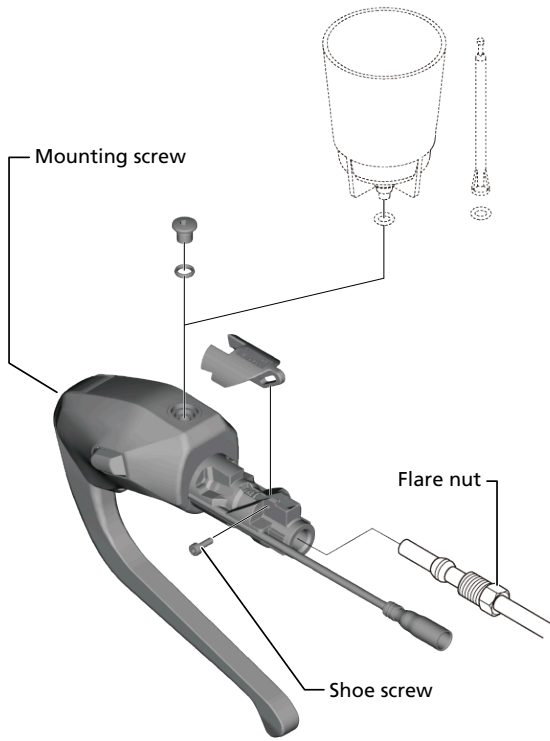
- Example) ST-R9160

ROAD
DUAL CONTROL LEVER









- Example) ST-R9180

ROAD
DUAL CONTROL LEVER



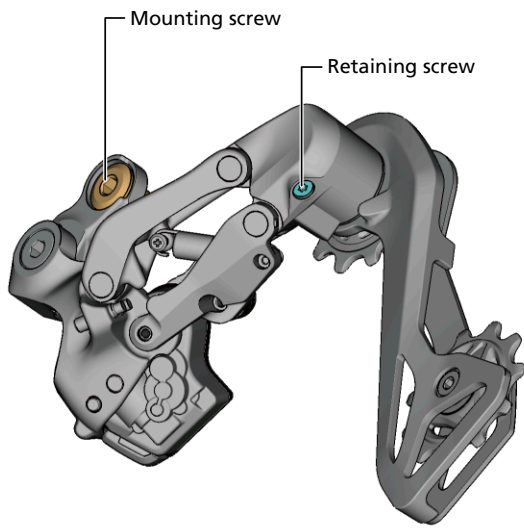
Rear Derailleur

RD-R9250, RD-R9150, RD-R9100, RD-R8150, RD-R8050, RD-R8000, RD-R7150, RD-R7000

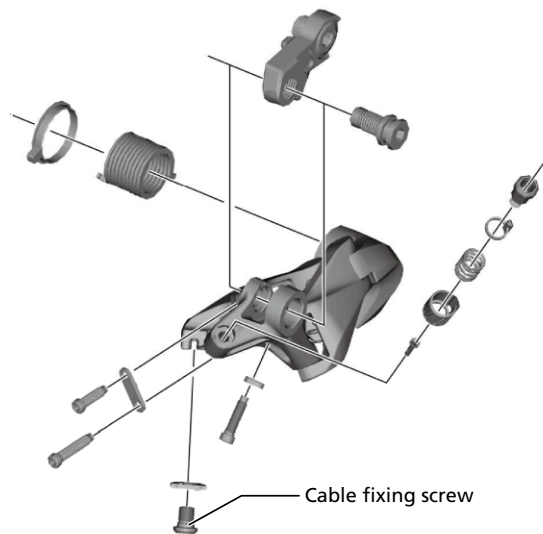
Parts Name	Model	Torque (N·m)	Tools	
Mounting screw	All	8 - 10		5 mm hexagon wrench
Bracket axle (Direct mount type)	All	8 - 10		5 mm hexagon wrench
Cable fixing screw	RD-R9100, RD-R8000, RD-R7000	6 - 7		4 mm hexagon wrench
Pulley screw	All	2.5 - 5		3 mm hexagon wrench
Retaining screw	RD-R9250, RD-R8150, RD-R7150	0.9 - 1.2		Hexalobular [#10]
	RD-R9150, RD-R8050	1		
Plate stopper pin	RD-R8150, RD-R7150	1 - 1.1		Cross head screwdriver [#2]
	RD-R9150, RD-R9100, RD-R8050, RD-R8000, RD-R7000	1		

Reference image

- Example) RD-R9250



- Example) RD-R9100



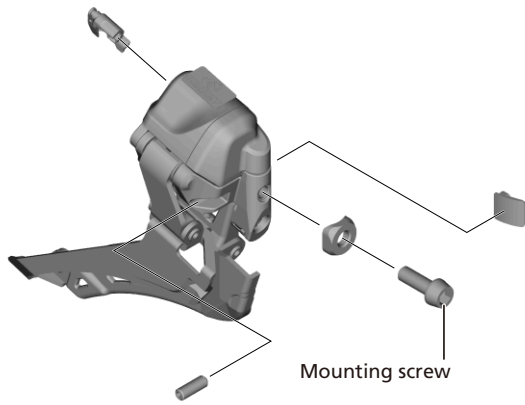
Front Derailleur

FD-R9250, FD-R9150, FD-R9100, FD-R8150, FD-R8050, FD-R8000, FD-R7150, FD-R7000

Parts Name	Model	Torque (N·m)	Tools	
Mounting screw	All	5 - 7	5	5 mm hexagon wrench
Inner cable fixing screw	FD-R9100, FD-R8000, FD-R7000	6 - 7	4	4 mm hexagon wrench

Reference image

- Example) FD-R9250



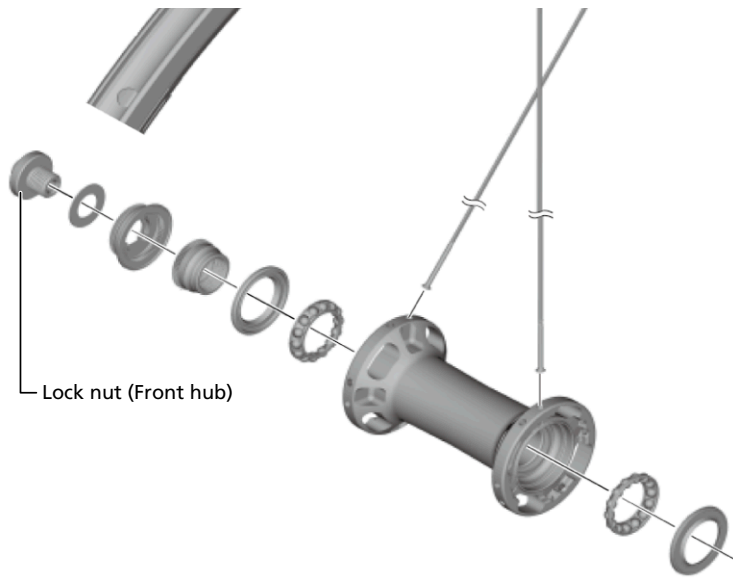
Wheel Set (Rim Brake)

WH-R9200, WH-R9100

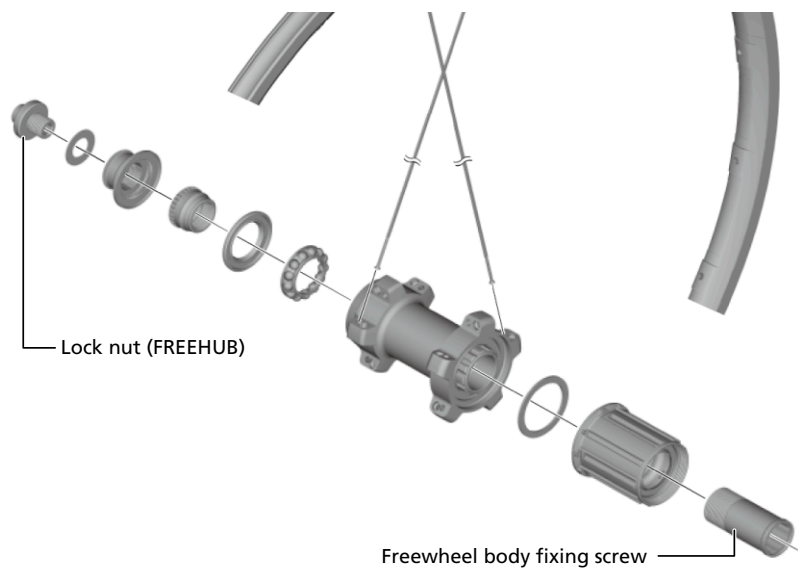
Parts Name	Model	Torque (N·m)	Tools	
Lock nut (Front hub)	WH-R9200	15 - 17	5 + 22	5 mm hexagon wrench + 22 mm hub spanner
	WH-R9100		5 + 5	5 mm hexagon wrench x 2
Lock nut (FREEHUB)	WH-R9200	16 - 20	5 + 17	5 mm hexagon wrench + 17 mm hub spanner
	WH-R9100	15 - 17	5 + 5	5 mm hexagon wrench x 2
Freewheel body fixing screw	WH-R9100	45 - 50	14	14 mm hexagon wrench

Reference image

- Example) WH-R9100-C24-CL-F












- Example) WH-R9100-C24-CL-R



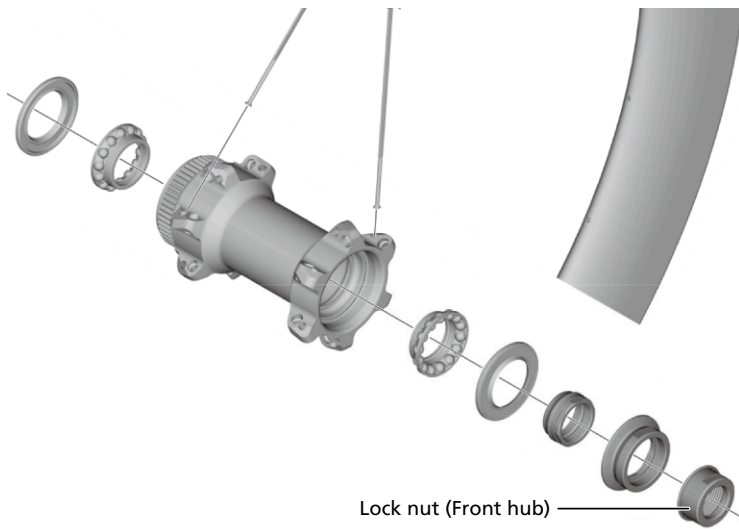
Wheel Set (Disc Brake)

WH-R9270, WH-R9170, WH-R8170

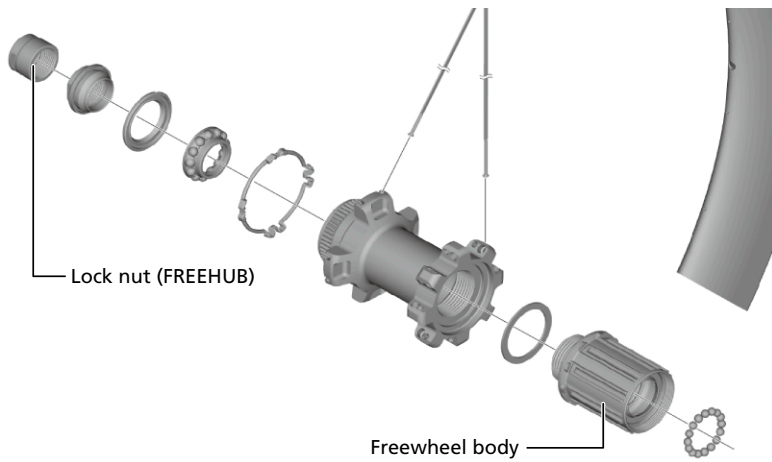
Parts Name	Model	Torque (N·m)	Tools	
Rotor lock ring	WH-R9270, WH-R8170	40	 +  / 	TL-LR15 + 24 mm hub spanner / adjustable wrench
	WH-R9170			
Lock nut (Front hub)	All	18 - 20	 + 	17 mm hub spanner + 22 mm hub spanner
Lock nut (FREEHUB)	WH-R9270	16 - 20	 + 	17 mm hub spanner x 2
	WH-R9170, WH-R8170	17 - 22		
Freewheel body	WH-R9170, WH-R8170	147 - 200		TL-FH15

Reference image

- Example) WH-R9170-C60-TU-F12





- Example) WH-R9170-C60-TU-R12



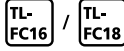


Cassette

CS-R9200-12, CS-R9100, CS-R8100-12, CS-R8000, CS-HG800-11, CS-R7100-12, CS-R7000, CS-HG700-11

Parts Name	Model	Torque (N·m)	Tools	
Lock ring	CS-R9200-12, CS-R8100-12, CS-R7100-12	30 - 50	TL-LR10 / TL-LR15 + 	TL-LR10 / TL-LR15 + adjustable wrench
	CS-R9100, CS-R8000, CS-HG800-11, CS-R7000, CS-HG700-11		TL-LR15 / 	

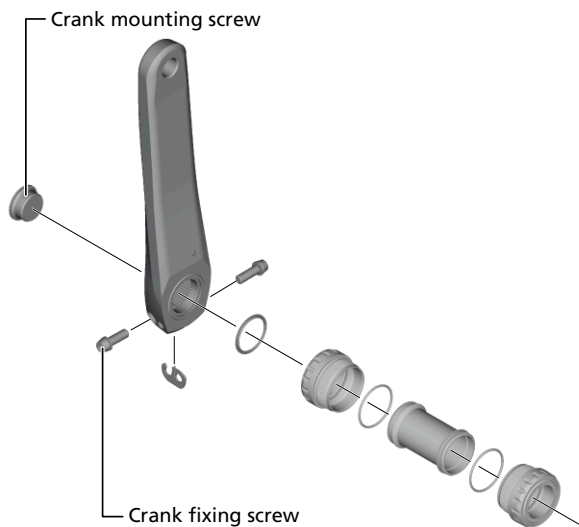
Crankset

FC-R9200, FC-R9100, FC-R8100, FC-R8000, FC-R7100, FC-R7000

Parts Name	Model	Torque (N·m)	Tools	
Crank mounting screw	All	0.7 - 1.5		TL-FC16 / TL-FC18
Crank fixing screw	All	12 - 14		5 mm hexagon wrench
Chainring fixing screws	All	12 - 16		Hexalobular [#30]




Reference image

- Example) FC-R9200



Crankset with Power Meter

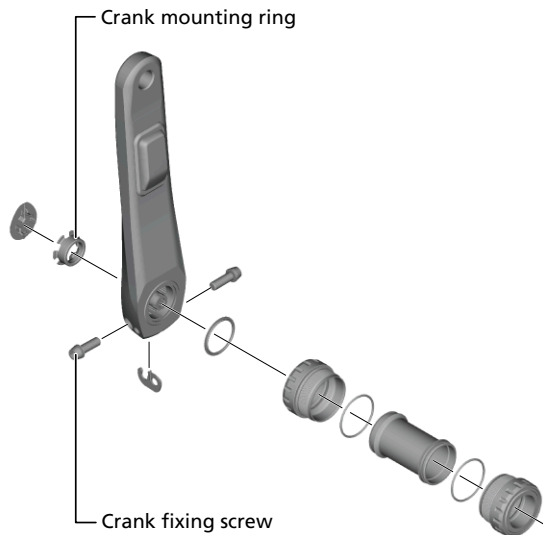
FC-R9200-P, FC-R9100-P, FC-R8100-P

Parts Name	Model	Torque (N·m)	Tools	
Crank mounting ring	All	0.7 - 1.5		TL-FC40
Crank fixing screw	All	12 - 14		5 mm hexagon wrench
Chainring fixing screws	All	12 - 16		Hexalobular [#30]

Reference image

- Example) FC-R9200-P

Threaded Bottom Bracket



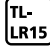

Threaded Bottom Bracket

BB-R9100, SM-BBR60

Parts Name	Model	Torque (N·m)	Tools	
Left- and right-hand cups	BB-R9100	35 - 50	TL-FC24 + TL-FC32	TL-FC24 + TL-FC32
			TL-FC24 + TL-FC33	TL-FC24 + TL-FC33
			TL-FC24 + TL-FC36	TL-FC24 + TL-FC36
			TL-FC34	TL-FC34
	SM-BBR60		TL-FC25 + TL-FC32	TL-FC25 + TL-FC32
			TL-FC25 + TL-FC33	TL-FC25 + TL-FC33
			TL-FC25 + TL-FC36	TL-FC25 + TL-FC36
			TL-FC37	TL-FC37






Rotor

SM-RT900, SM-RT800, SM-RT70

Parts Name	Model	Torque (N·m)	Tools	
Rotor lock ring	All	40	 / 	TL-LR15 + adjustable wrench

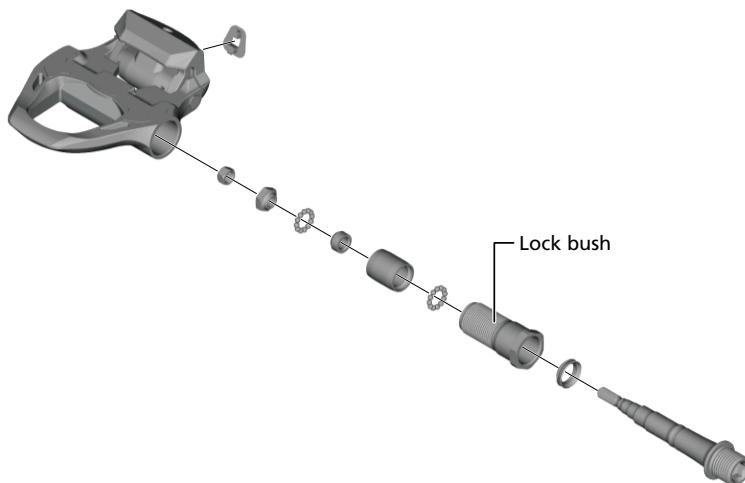
Pedal

PD-R9100, PD-R8000, PD-R7000

Parts Name	Model	Torque (N·m)	Tools	
Pedal axle	All	35 - 55		8 mm hexagon wrench
Lock nut	PD-R9100	10 - 15		20 mm spanner
	PD-R8000, PD-R7000	5 - 7		7 mm spanner
Lock bush	PD-R8000	10 - 12		17 mm spanner
	PD-R7000	8 - 10		TL-PD40

Reference image



- Example) PD-R8000



MTB

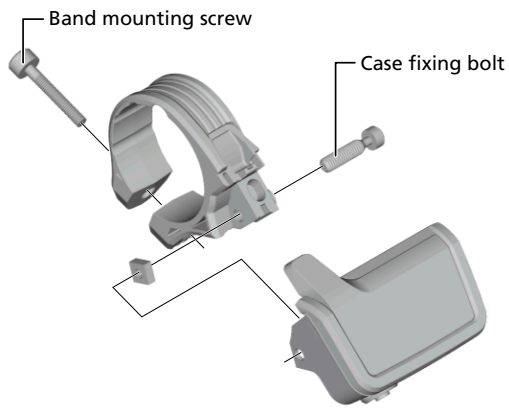
System Information Display

SC-M9051

Parts Name	Model	Torque (N·m)	Tools	
Case fixing bolt	All	0.6		2.5 mm hexagon wrench
Band mounting screw	All	0.8		3 mm hexagon wrench



Reference image

- Example) SC-M9051



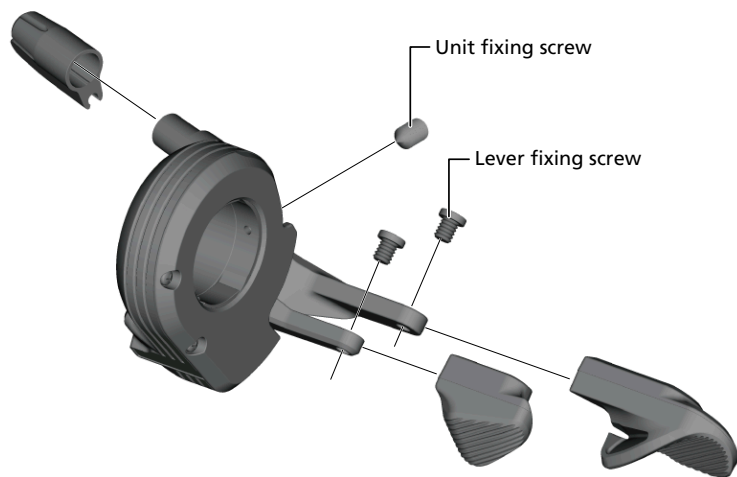
Shift Switch

SW-M9050

Parts Name	Model	Torque (N·m)	Tools	
Unit fixing screw	All	0.9		2 mm hexagon wrench
Lever fixing screw	All	0.5 - 0.7		2 mm hexagon wrench

Reference image

- Example) SW-M9050



Seat Post Lever

SL-MT800

Parts Name	Model	Torque (N·m)	Tools	
Unit position adjustment bolt	All	4	3	3 mm hexagon wrench
Cable fixing screw	All	6 - 7	4	4 mm hexagon wrench










Hydraulic Disc Brake Caliper

MTB

Hydraulic Disc Brake Caliper

BR-M9100, BR-M9110, BR-M9120, BR-M9000, BR-M9020, BR-M8100, BR-M8110,
BR-M8120, BR-M8000, BR-M8020, BR-M7100, BR-M7110, BR-M7120, BR-M7000

MTB
Hydraulic Disc Brake Caliper

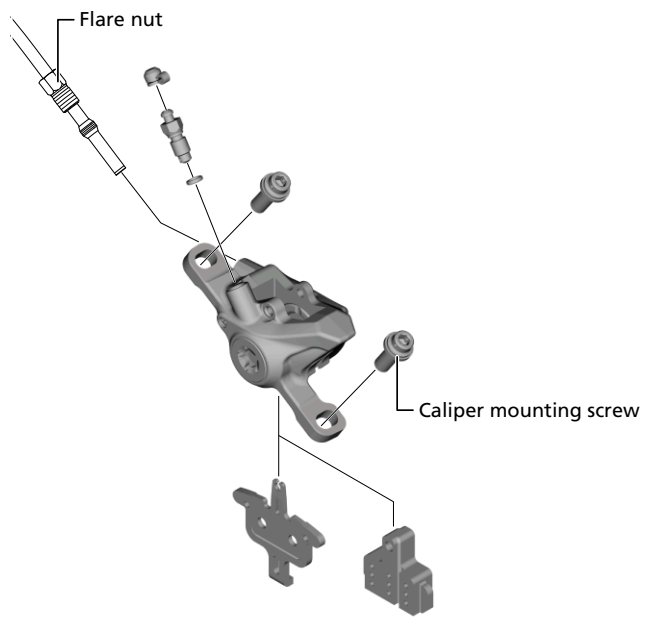
Parts Name	Model	Torque (N·m)	Tools	
Flare nut	BR-M9100, BR-M9110, BR-M8110, BR-M7110	5 - 7		8 mm spanner
Banjo	BR-M9120, BR-M9000, BR-M9020, BR-M8120, BR-M8000, BR-M7120, BR-M7000	8 - 10		4 mm hexagon wrench
	BR-M8100, BR-M8020, BR-M7100	4 - 6		3 mm hexagon wrench
Pad axle	BR-M9100, BR-M9110, BR-M9120	0.2 - 0.4		Slotted screwdriver
	BR-M8100, BR-M8110, BR-M8120, BR-M7100, BR-M7110, BR-M7120	1 - 1.5		3 mm hexagon wrench
	BR-M7000	2 - 4		
Caliper mounting screw	BR-M9100, BR-M9110, BR-M9120, BR-M8110, BR-M7110	6 - 8		4 mm hexagon wrench
	BR-M8100, BR-M8120, BR-M7100, BR-M7120, BR-M7000			5 mm hexagon wrench
	BR-M9000, BR-M9020, BR-M8000, BR-M8020	8 - 10		4 mm hexagon wrench
Bleed nipple	All	4 - 6		7 mm box wrench

MTB

Hydraulic Disc Brake Caliper





Reference image

- Example) BR-M9100



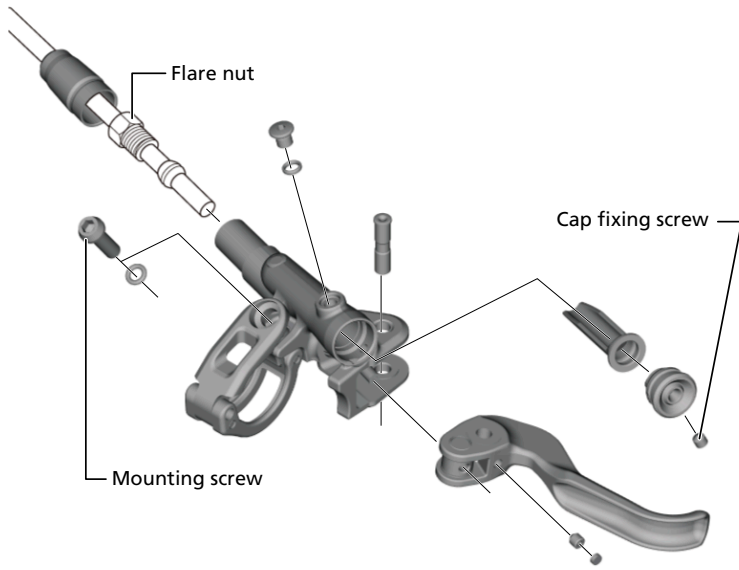
Hydraulic Disc Brake Lever

BL-M9100, BL-M9120, BL-M9000, BL-M9020, BL-M8100, BL-T8100, BL-M8000, BL-M7100, BL-M7000

Parts Name	Model	Torque (N·m)	Tools	
Mounting screw	All	4 - 6		4 mm hexagon wrench
Flare nut	All	5 - 7		8 mm spanner
Bleed screw	BL-M9100, BL-M9120, BL-M8100, BL-T8100, BL-M7100	0.5 - 1		2.5 mm hexagon wrench
	BL-M9000, BL-M9020, BL-M8000, BL-M7000	0.5 - 0.7		
Cap fixing screw	BL-M9100, BL-M9120, BL-M8100, BL-T8100, BL-M7100	0.2 - 0.3		2 mm hexagon wrench

Reference image







- Example) BL-M9100

















Shifter

SL-M9100, SL-M9000, SL-M8100, SL-M8130, SL-M8000, SL-M7100, SL-M7000

MTB
Shifter

Parts Name	Model	Torque (N·m)	Tools	
Shifter mounting screw	SL-M9100, SL-M9000, SL-M8100, SL-M8130, SL-M8000, SL-M7100	3		4 mm hexagon wrench
	SL-M7000	3 - 4		
Unit position adjustment bolt	SL-M9000, SL-M8000 (I-SPEC EV / I-SPEC II)	4		3 mm hexagon wrench
	SL-M8100, SL-M8130, SL-M7100 (I-SPEC EV)	3		
	SL-M8000 (I-SPEC B)	2.5	 / 	4 mm hexagon wrench / 7 mm spanner
	SL-M7000 (I-SPEC II / I-SPEC B)	2.5 - 3.5		
Integration bolt	SL-M8000 (I-SPEC B)	4		3 mm hexagon wrench
	SL-M7000 (I-SPEC B)	4 - 5		
Integration bolt (small)	SL-M8000 (I-SPEC B)	1		2 mm hexagon wrench
	SL-M7000 (I-SPEC B)	1 - 1.5		
Lever cap fixing screw	SL-M9100, SL-M8100, SL-M7100 (MONO lever)	0.3		Cross head screwdriver [#2]
Unit fixing screw	SL-M9100, SL-M9000, SL-M8000	2.5		4 mm hexagon wrench
	SL-M9100, SL-M9000, SL-M8000 (I-SPEC EV / I-SPEC II)			3 mm hexagon wrench

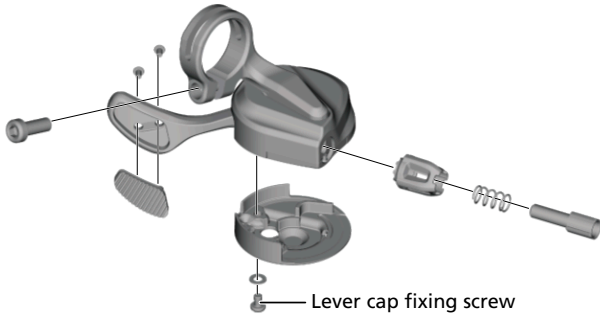
MTB Shifter

Parts Name	Model	Torque (N·m)	Tools	
	SL-M8100, SL-M8130, SL-M7100			
	SL-M7000	2.5 - 3.5		4 mm hexagon wrench
Base cover fixing screw (A)	SL-M9100, SL-M8100, SL-M8130	0.15		2 mm hexagon wrench
	SL-M9000, SL-M8000, SL-M7100			Cross head screwdriver [#1]
	SL-M7000	0.5 - 0.7		Cross head screwdriver [#2]
	SL-M7000 (I-SPEC II / I-SPEC B)	0.15 - 0.2		Cross head screwdriver [#1]
Base cover fixing screw (B)	SL-M9100, SL-M8100, SL-M8130	0.5		2.5 mm hexagon wrench
	SL-M7100 (I-SPEC II / I-SPEC B)			Cross head screwdriver [#1]
	SL-M9000, SL-M8000			Cross head screwdriver [#2]
	SL-M8100, SL-M8130 (I-SPEC II / I-SPEC B)	0.15		2 mm hexagon wrench
	SL-M7000	0.15 - 0.2		Cross head screwdriver [#1]
Base cover fixing screw (C)	SL-M9000, SL-M8000	0.08		Cross head screwdriver [#1]
	SL-M7000	0.08 - 0.1		Cross head screwdriver [#1]
Lever pad fixing screw	SL-M9100	0.10		Cross head screwdriver [#0]
Indicator fixing screw / Cover fixing screw	SL-M8000	0.15		Cross head screwdriver [#1]
	SL-M7000	0.15 - 0.2		

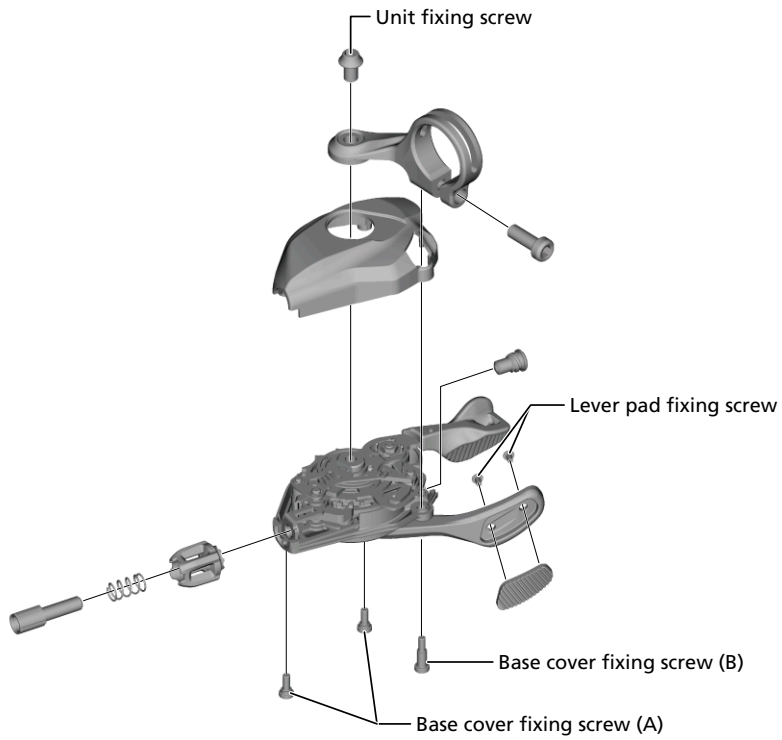
Reference image

- Example) SL-M9100

For Left Hand

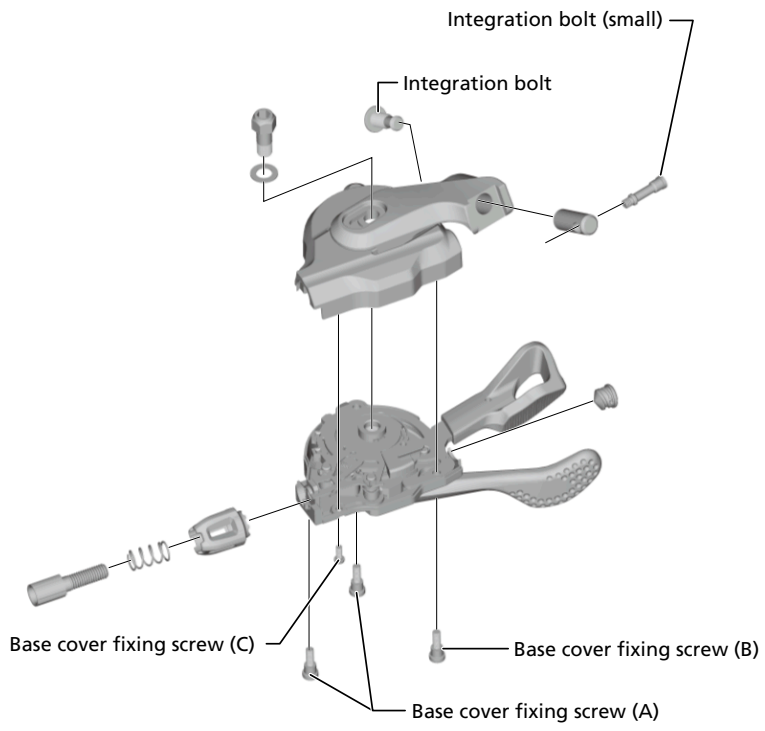


For Right Hand









- Example) SL-M8000-B-I

MTB Shifter



Rear Derailleur

RD-M9100, RD-M9120, RD-M9050, RD-M9000, RD-M8100, RD-M8120, RD-M8130, RD-M8000, RD-M7100, RD-M7120, RD-M7000

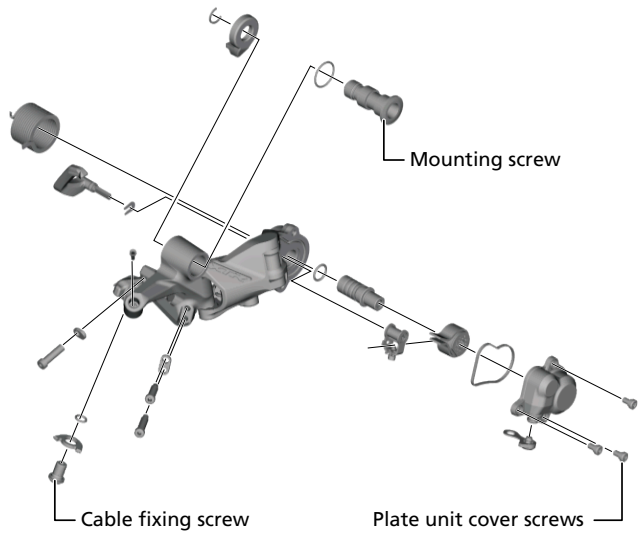
Parts Name	Model	Torque (N·m)	Tools	
Mounting screw	All	8 - 10		5 mm hexagon wrench
Cable fixing screw	RD-M9100, RD-M9120, RD-M9000, RD-M8100, RD-M8120, RD-M8130, RD-M8000, RD-M7100, RD-M7120, RD-M7000	6 - 7		4 mm hexagon wrench
Pulley screws	All	2.5 - 5		3 mm hexagon wrench
Plate axle	RD-M9100, RD-M9120, RD-M8100, RD-M8120, RD-M8130, RD-M7100, RD-M7120	7.8 - 9.8		4 mm hexagon wrench
	RD-M9050, RD-M9000, RD-M8000, RD-M7000	8 - 10		
Plate unit cover screws	All	1 - 1.5		2 mm hexagon wrench
Plate stopper pin	All	1		Cross head screwdriver [#2]

Reference image

- Example) RD-M9100

MTB








Rear Derailleur



Front Derailleur

MTB
Front Derailleur

FD-M9100, FD-M9050, FD-M9070, FD-M9000, FD-M9020, FD-M9025, FD-M8100, FD-M8000, FD-M8020, FD-M8025, FD-M7100, FD-M7000, FD-M7005, FD-M7020, FD-M7025

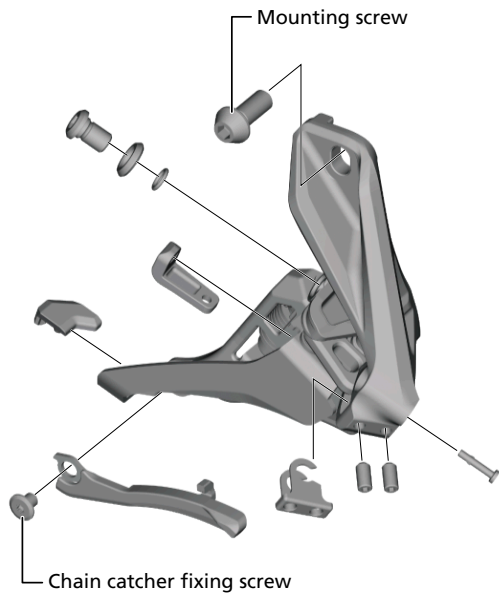
Parts Name	Model	Torque (N·m)	Tools	
Mounting screw	All	5 - 7		4 mm hexagon wrench
Cable fixing screw	FD-M9100, FD-M9000, FD-M9020, FD-M9025, FD-M8100, FD-M8000, FD-M8020, FD-M8025, FD-M7100, FD-M7000, FD-M7005, FD-M7020, FD-M7025	6 - 7		4 mm hexagon wrench
Chain catcher fixing screw	FD-M9100, FD-M9000, FD-M9020, FD-M9025, FD-M8100, FD-M8000, FD-M8020, FD-M8025, FD-M7100, FD-M7000, FD-M7005, FD-M7020, FD-M7025	1 - 2		Hexalobular [#10]
Stroke fixing bolt	FD-M9050, FD-M9070	0.5		2 mm hexagon wrench
Chain guide bolt and nut	FD-M9050, FD-M9070	0.7	 + 	Hexalobular [#8] + 2.5 mm hexagon wrench
			 + 	Hexalobular [#8] + TL-FDM905

Reference image

- Example) FD-M9100

MTB

Mount Adapter



Mount Adapter

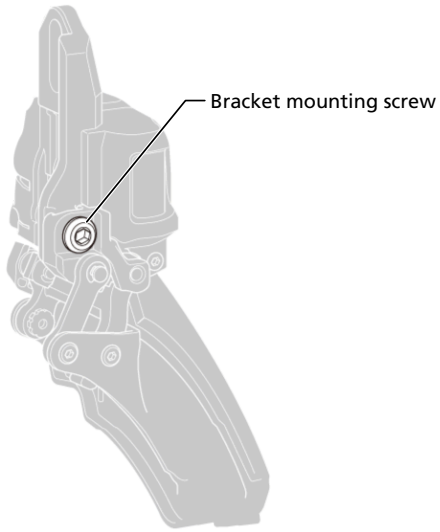
SM-FD905

Parts Name	Model	Torque (N·m)	Tools	
Bracket mounting screw	All	5 - 7		4 mm hexagon wrench

Reference image

- Example) SM-FD905

MTB
Mount Adapter



























MTB

Hub set (Disc brake)




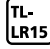












Hub set (Disc brake)

HB-M9110, HB-MT900, FH-M9111, HB-M9010, FH-M9000, FH-M9010, HB-M8110, FH-M8110, FH-M8130, HB-M8000, HB-M8010, FH-M8000, FH-M8010, HB-M7110, FH-M7130, HB-M7000, HB-M7010, FH-M7000, FH-M7010

Parts Name	Model	Torque (N·m)	Tools
Rotor lock ring	All	40	 /  +  TL-FC36 / TL-LR15 + Adjustable wrench
Lock nut (Front hub)	HB-M9110, HB-MT900, HB-M9010, HB-M8110, HB-M8010, HB-M7110	21 - 26	 +  22 mm hub spanner x 2
	HB-M8000	15 - 17	 +  5 mm hexagon wrench + TL-HS22
	HB-M7000	10 - 15	 +  13 mm hub spanner + 17 mm hub spanner
	HB-M7010	21 - 26	 +  22 mm hub spanner x 2
Lock nut (FREEHUB)	FH-M9111, FH-M8110, FH-M8130, FH-M7110, FH-M7130	16 - 21	 +  17 mm hub spanner + 18 mm hub spanner
	FH-M9010	16.7 - 22.1	 +  17 mm hub spanner + 20 mm hub spanner
	FH-M9000		 +  5 mm hexagon wrench + 20 mm hub spanner
	FH-M8000		 +  5 mm hexagon wrench + 17 mm hub spanner
	FH-M8010, FH-M7010, FH-M7000	15 - 20	 +  17 mm hub spanner x 2
Freewheel body	FH-M9000, FH-M9010, FH-M8010, FH-M7010	150	 TL-FH15
Freewheel body fixing screw	FH-M8000	45 - 50	 14 mm hexagon wrench
	FH-M7000	35 - 50	 10 mm hexagon wrench (TL-WR37)

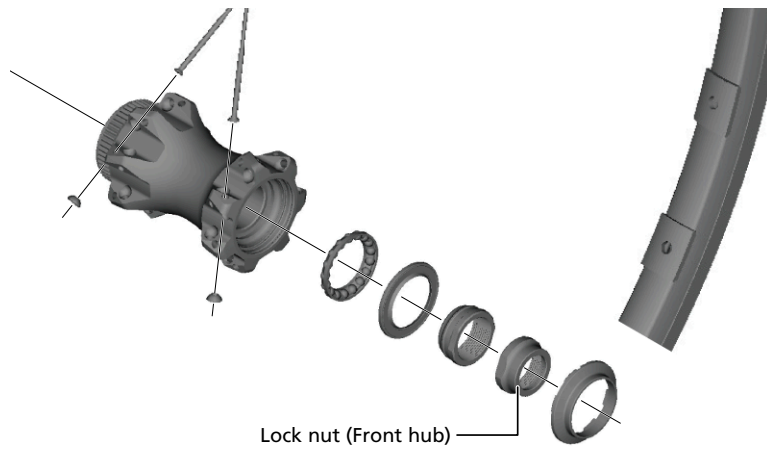
Wheel Set (Disc Brake)

WH-M9000, WH-M9020, WH-M8100, WH-M8120, WH-M8000, WH-M8020

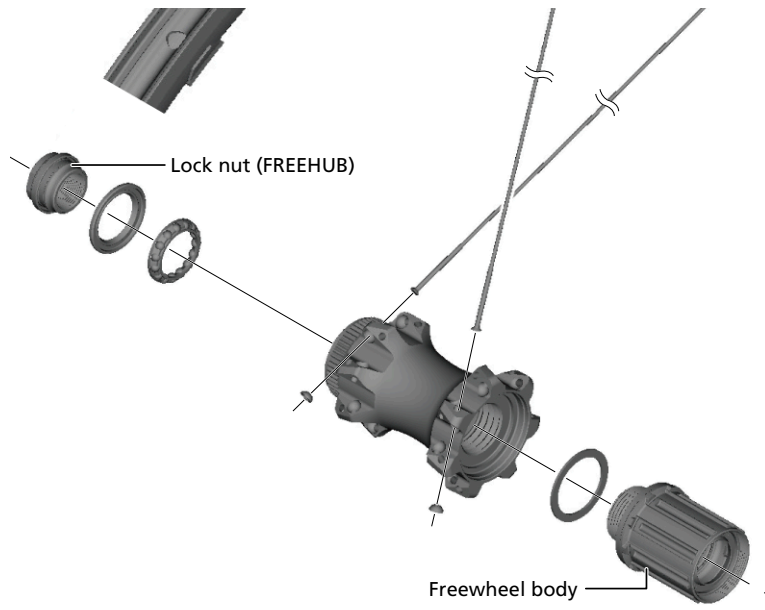
Parts Name	Model	Torque (N·m)	Tools	
Lock ring	WH-M9000, WH-M9020, WH-M8000, WH-M8020	30 - 50	 / 	TL-LR15 + Adjustable wrench
Rotor lock ring	All	40	 /  + 	TL-FC36 / TL-LR15 + Adjustable wrench
Lock nut (Front hub)	WH-M9000 (E-THRU), WH-M9020, WH-M8000 (E-THRU), WH-M8020, WH-M8100, WH-M8120	21 - 26	 + 	22 mm hub spanner x 2
	WH-M8000 (QR)	15 - 17	 + 	5 mm hexagon wrench + 17 mm Hub spanner
Lock nut (FREEHUB)	WH-M8100, WH-M8120	16 - 21	 + 	17 mm hub spanner + 18 mm hub spanner
	WH-M9000 (E-THRU), WH-M9020, WH-M8000 (E-THRU), WH-M8020	17 - 22	 + 	17 mm hub spanner + 20 mm Hub spanner
	WH-M9000 (QR), WH-M8000 (QR)	17 - 22	 + 	5 mm hexagon wrench + 20 mm Hub spanner
Freewheel body	WH-M9000, WH-M9020, WH-M8000, WH-M8020	150		TL-FH15

Reference image

- Example) WH-M9000-TL-F15-275

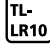
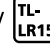



- Example) WH-M9000-TL-R12-275



Cassette

CS-M9100, CS-M9101, CS-M9000, CS-M9001, CS-M8100, CS-M8000, CS-M7100, CS-M7000

Parts Name	Model	Torque (N·m)	Tools
Lock ring	All	30 - 50	 /  + 



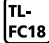










Crankset

MTB

Crankset


FC-M9100, FC-M9120, FC-M9125, FC-M9130, FC-M9000, FC-M9020, FC-M8100,
FC-M8120, FC-M8130, FC-M8000, FC-M7100, FC-M7120, FC-M7130, FC-M7000

MTB
Crankset

Parts Name	Model	Torque (N·m)	Tools	
Crank mounting screw	FC-M9100, FC-M9120, FC-M9125, FC-M9130	45 - 55		8 mm hexagon wrench
	FC-M9000, FC-M9020, FC-M8100, FC-M8120, FC-M8130, FC-M8000, FC-M7100, FC-M7120, FC-M7130, FC-M7000	0.7 - 1.5	 / 	TL-FC16 / TL-FC18
Crank fixing screw	FC-M9000, FC-M9020, FC-M8100, FC-M8120, FC-M8130, FC-M8000, FC-M7100, FC-M7120, FC-M7130, FC-M7000	12 - 14		5 mm hexagon wrench
Lock ring	FC-M9100, FC-M9120, FC-M9125, FC-M9130, FC-M8100, FC-M8120, FC-M8130	35 - 50	 + 	TL-FC41 + TL-FC32
			 + 	TL-FC41 + TL-FC36
			 + 	TL-FC41 + 32 mm spanner
Chainring fixing screws	FC-M9100, FC-M9120, FC-M8100, FC-M8120, FC-M7100, FC-M7120	16 - 17		Hexalobular [#30]
	FC-M9000, FC-M9020	8 - 10		Hexalobular [#27]
	FC-M8000, FC-M7000 (single gear / double gear)	12 - 14		Hexalobular [#30]

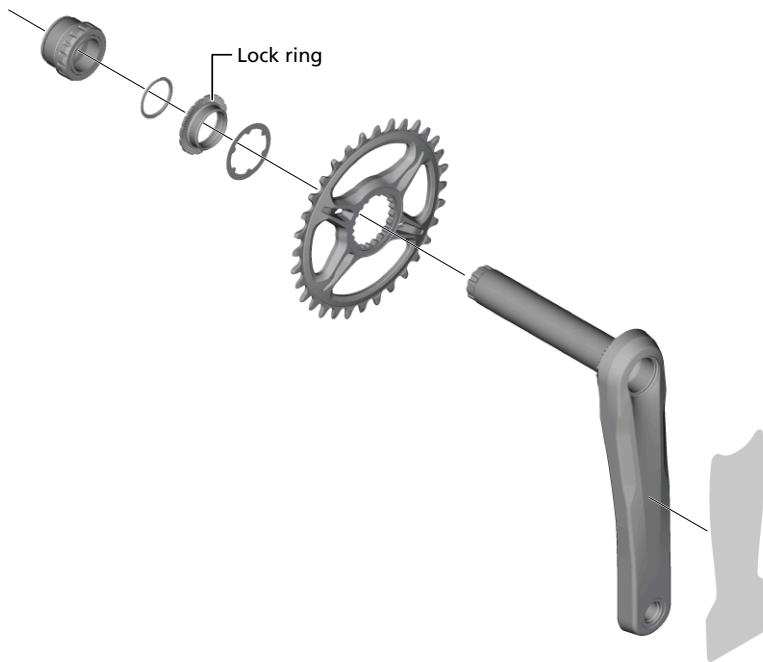
MTB

Crankset

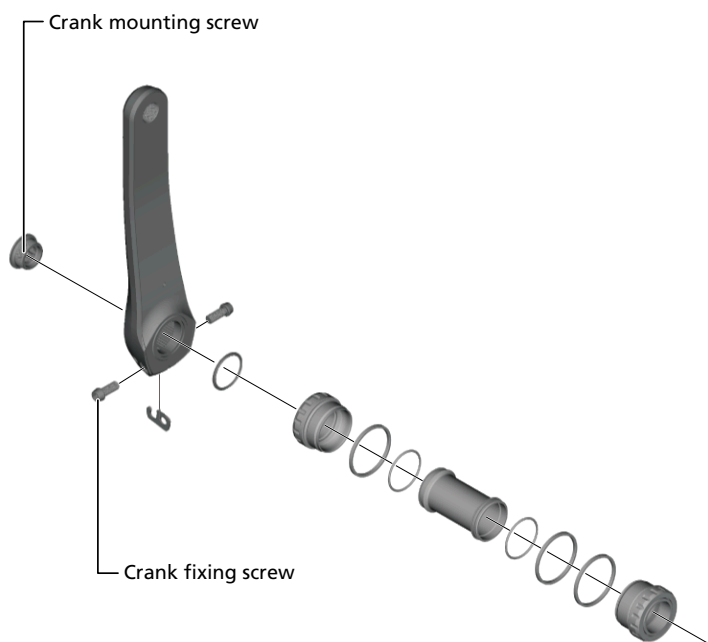
Parts Name	Model	Torque (N·m)	Tools	
Chainring fixing screws (largest chainring / middle chainring)	FC-M8000, FC-M7000 (triple gear)	10 - 12		Hexalobular [#30]
Chainring fixing screws (smallest chainring)	FC-M8000, FC-M7000 (double gear / triple gear)	16 - 17		Hexalobular [#30]

Reference image

- Example) FC-M9100



- Example) FC-M9000





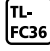
Threaded Bottom Bracket

BB-MT800, SM-BB93

Parts Name	Model	Torque (N·m)	Tools	
Left- and right-hand cups	BB-MT800	35 - 50	TL-FC25 + TL-FC32	TL-FC25 + TL-FC32
			TL-FC25 + TL-FC33	TL-FC25 + TL-FC33
			TL-FC25 + TL-FC36	TL-FC25 + TL-FC36
			TL-FC37	TL-FC37
	SM-BB93		TL-FC24 + TL-FC32	TL-FC24 + TL-FC32
			TL-FC24 + TL-FC33	TL-FC24 + TL-FC33
			TL-FC24 + TL-FC36	TL-FC24 + TL-FC36
			TL-FC34	TL-FC34










Rotor

RT-MT900, RT-MT800

Parts Name	Model	Torque (N·m)	Tools
Rotor lock ring	All	40	 +  /  TL-LR15 + Adjustable wrench / TL-FC36

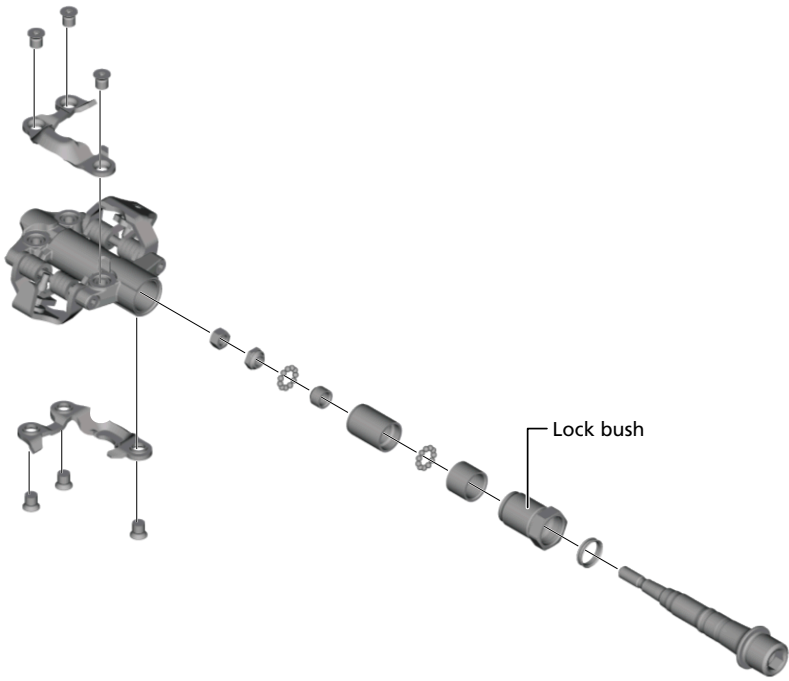
Pedal

PD-M9100, PD-M9120, PD-M9000, PD-M9020, PD-M8100, PD-M8120, PD-M8000, PD-M8020

Parts Name	Model	Torque (N·m)	Tools	
Pedal axle	All	35 - 55		8 mm hexagon wrench
Lock nut	PD-M9100, PD-M9120, PD-M8100, PD-M8120	5 - 7		7 mm spanner
	PD-M9000, PD-M9020		 + 	7 mm spanner + 8 mm spanner
	PD-M8000, PD-M8020		 + 	7 mm spanner + 10 mm spanner
Lock bush	PD-M9100, PD-M9120	9 - 12		15 mm spanner
	PD-M9000, PD-M9020, PD-M8000, PD-M8020			17 mm spanner
	PD-M8100, PD-M8120	10 - 12		
Body cover fixing screw	PD-M9100, PD-M9120, PD-M8100, PD-M8120	2.7 - 3.5		Hexalobular [#10]
	PD-M9000, PD-M9020, PD-M8000, PD-M8020	2.5 - 3.5		

Reference image





- Example) PD-M9100



E-BIKE

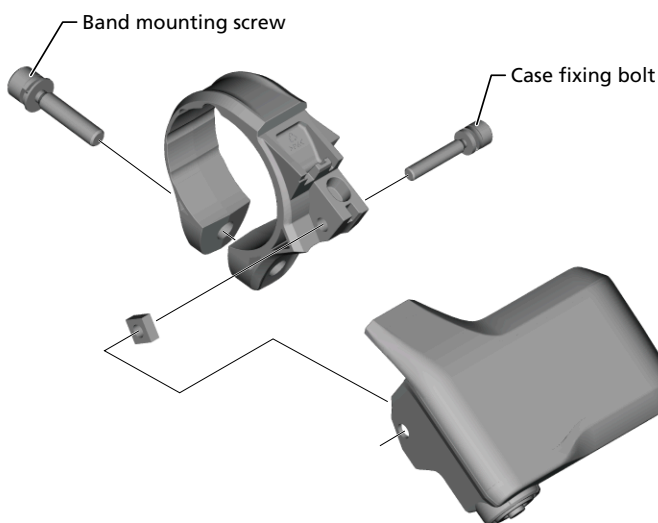
Cycle Computer

SC-EM800, SC-EN600, SC-EN500, SC-E8000, SC-E7000, SC-E5003, SC-E5000

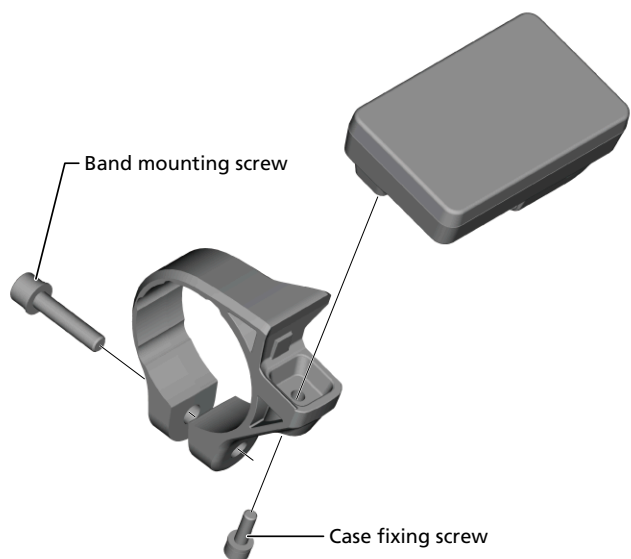
Parts Name	Model	Torque (N·m)	Tools	
Band mounting screw	All	0.8		3 mm hexagon wrench
Case fixing bolt	SC-EM800, SC-E8000, SC-E7000	0.6		2.5 mm hexagon wrench
	SC-EN500, SC-E5003, SC-E5000	0.6		2 mm hexagon wrench
Case fixing screw	SC-EN600	0.6		2.5 mm hexagon wrench

Reference image

- Example) SC-EM800



- Example) SC-EN600

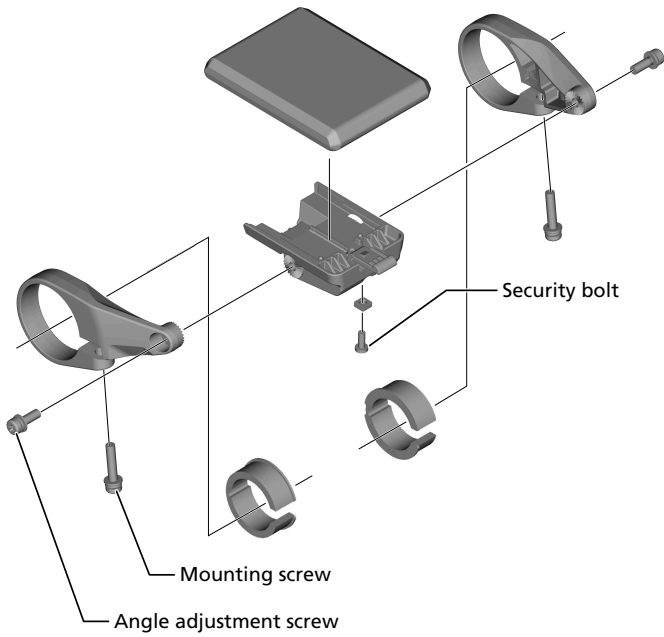


SC-EN610, SC-E6100, SC-E6010

Parts Name	Model	Torque (N·m)	Tools	
Mounting screw	All	0.8 - 1		Cross head screwdriver [#2]
Angle adjustment screw	All	0.5		Cross head screwdriver [#2]
Security bolt	All	0.4 - 0.5		Cross head screwdriver [#2]

Reference image

- Example) SC-EN610



Switch Unit

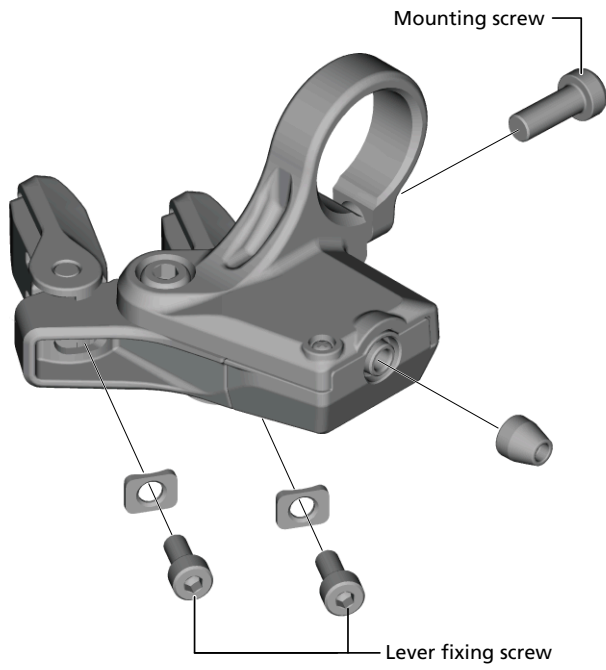
SW-M8150, SW-E8000-L

Parts Name	Model	Torque (N·m)	Tools	
Mounting screw	SW-M8150	3	4	4 mm hexagon wrench
Mounting bolt	SW-E8000-L	2 - 2.2	3	3 mm hexagon wrench
Lever fixing screw	SW-M8150	2	3	3 mm hexagon wrench
	SW-E8000-L	0.5 - 0.7	2	2 mm hexagon wrench
Unit position adjustment bolt	SW-M8150	3	3	3 mm hexagon wrench

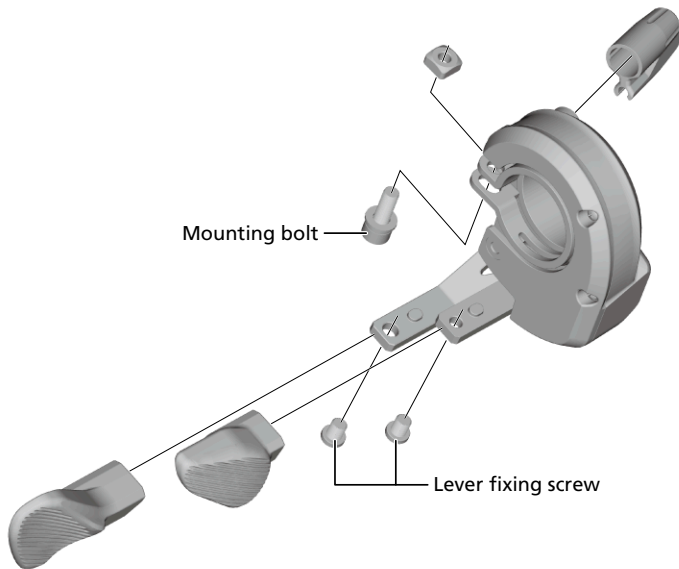
Reference image

- Example) SW-M8150-R

E-BIKE
Switch Unit

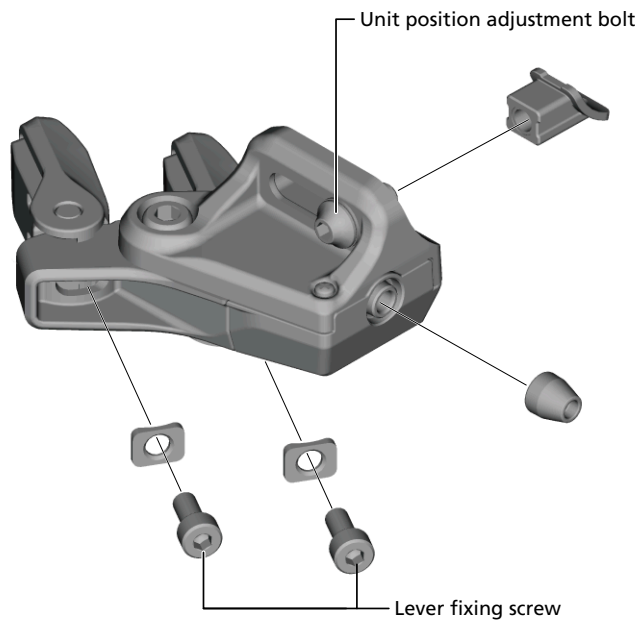


- Example) SW-E8000-L







- Example) SW-M8150-IR

E-BIKE
Switch Unit

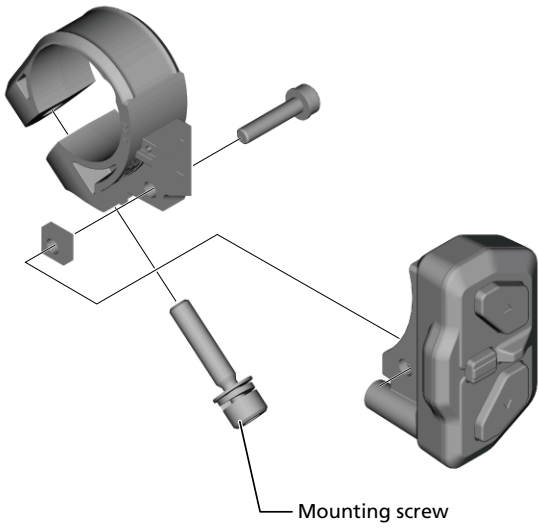


SW-EN600-R, SW-EN600-L, SW-EM800-L, SW-E7000, SW-E6010, SW-E6000

Parts Name	Model	Torque (N·m)	Tools	
Mounting screw	SW-EN600-L, SW-EN600-R	0.8		3 mm hexagon wrench
	SW-EM800-L	1.5		2.5 mm hexagon wrench
	SW-E7000, SW-E6010	1.5		3 mm hexagon wrench
	SW-E6000	1.5		Cross head screwdriver [#2]


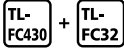
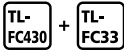
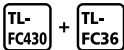
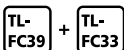
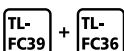

Reference image

- Example) SW-EN600



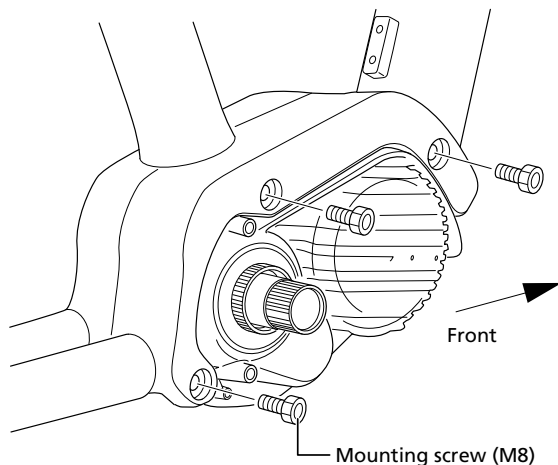
Drive Unit

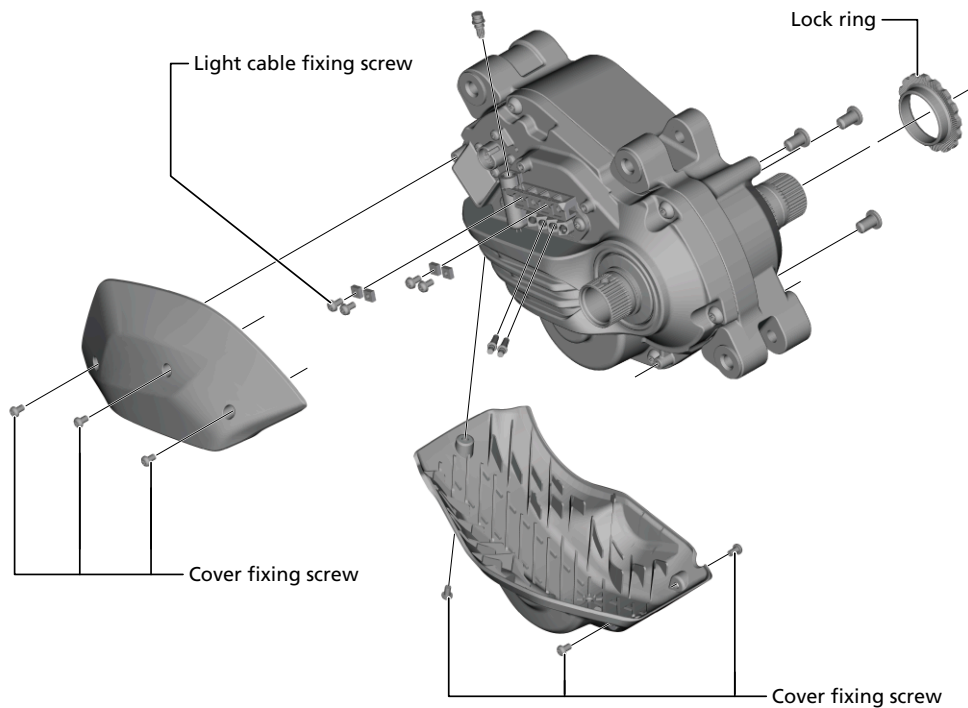
DU-EP801, DU-EP800, DU-EP600, DU-E8000, DU-E8080, DU-E7000, DU-E6100, DU-E6180, DU-E5000, DU-E5080

Parts Name	Model	Torque (N·m)	Tools	
Mounting screw (M8)	All	10 - 12.5 (Reference)	Depending on bicycle frame specification. Contact the bicycle manufacturer.	
Cover fixing screw	All	0.6		Cross head screwdriver [#2]
Lock ring (for Chainring)	DU-EP801, DU-EP600	35 - 45		TL-FC430 + TL-FC32
				TL-FC430 + TL-FC33
				TL-FC430 + TL-FC36
	DU-EP800, DU-E8000, DU-E7000, DU-E6100, DU-E6180, DU-E5000, DU-E5080			TL-FC39 + TL-FC33
				TL-FC39 + TL-FC36
Light cable mounting screw	All	0.6		Cross head screwdriver [#2]

Reference image



- Example) DU-EP801





Chain Device

CD-EM800, SM-CDE80, SM-CDE70, SM-DUE61-FB

Parts Name	Model	Torque (N·m)	Tools	
Bracket fixing screw * ₁	CD-EM800	3 - 4		3 mm hexagon wrench
Back plate fixing screw * ₂	SM-CDE80, SM-CDE70	3 - 4		3 mm hexagon wrench
Guide fixing screw	CD-EM800	2 - 3		4 mm hexagon wrench
	SM-CDE80, SM-CDE70	4	 / 	3 mm hexagon wrench / 4 mm hexagon wrench
Chain case stay fixing screw	SM-DUE61-FB	1.2		2 mm hexagon wrench

*₁ Also for chain case stay (DU-EP801, DU-EP600)

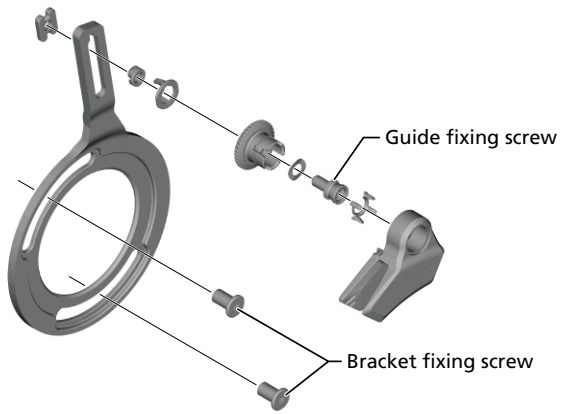
*₂ For DU-E6100, DU-E6180 only

Reference image

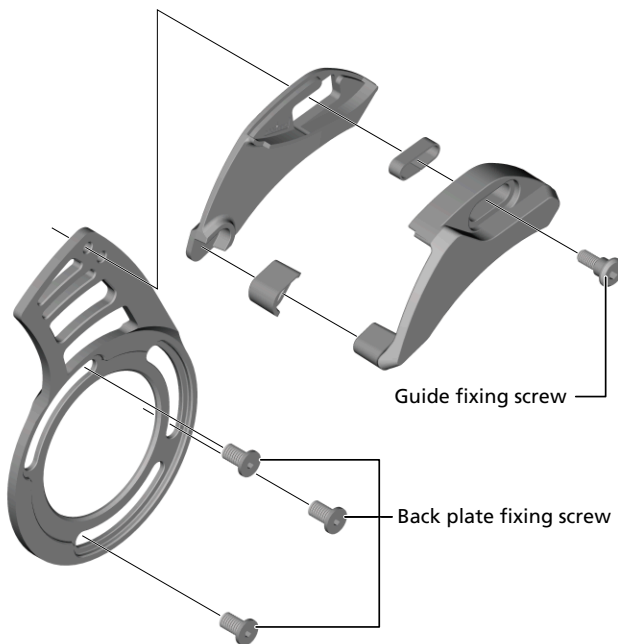
- Example) CD-EM800

E-BIKE

Chain Device

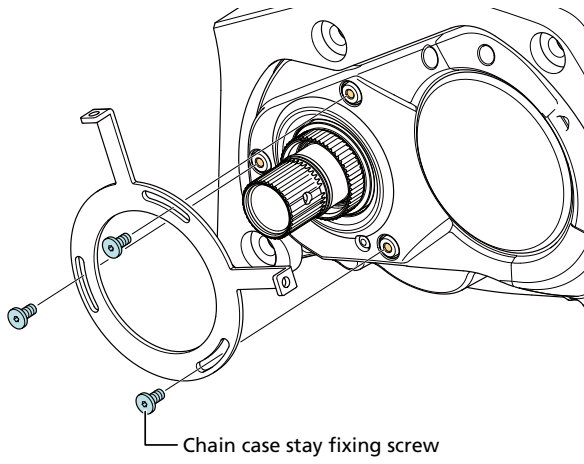


- Example) SM-CDE80








- Example) SM-DUE61-FB

E-BIKE
Chain Device



Chainring

CR-EM800, CR-ET600, SM-CRE80-12-B, SM-CRE80-12-SB, SM-CRE80-B, SM-CRE80-R, SM-CRE80, SM-CRE70-12-B, SM-CRE70-12, SM-CRE70-B, SM-CRE70, SM-CRE61, SM-CRE50

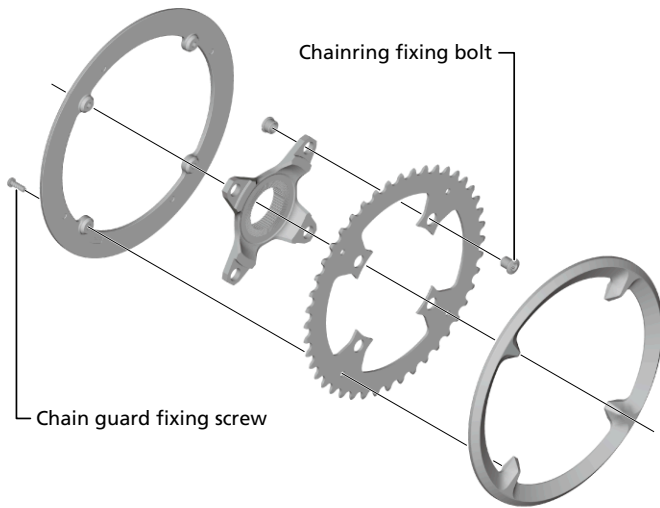
Parts Name	Model	Torque (N·m)	Tools	
Chainring fixing bolt	CR-EM800, SM-CRE80-12-B, SM-CRE80-12-SB, SM-CRE80-B, SM-CRE80-R, SM-CRE80, SM-CRE70-12-B, SM-CRE70-12, SM-CRE70-B, SM-CRE70	12 - 14	 +  / 	TL-FC22 + 5 mm hexagon wrench / Hexalobular [#10]
Chain guard fixing screw	CR-ET600, SM-CRE80, SM-CRE70-12, SM-CRE70, SM-CRE61, SM-CRE50	0.7		Cross head screwdriver [#2]
Arm cover fixing screw	SM-CRE61, SM-CRE50	0.8		Cross head screwdriver [#2]

Reference image

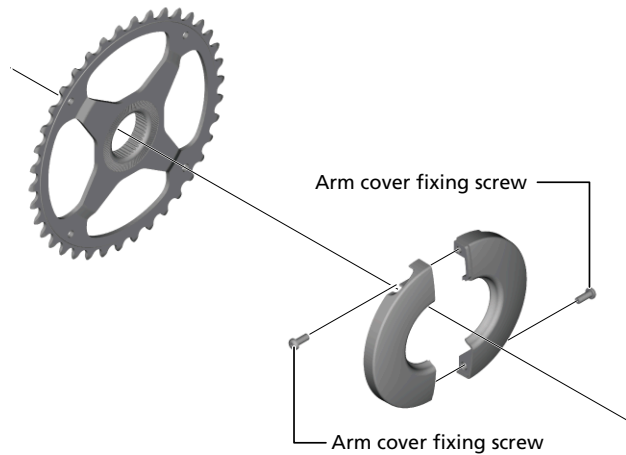
- Example) SM-CRE80

E-BIKE

Chainring







- Example) SM-CRE50



Crank Arm

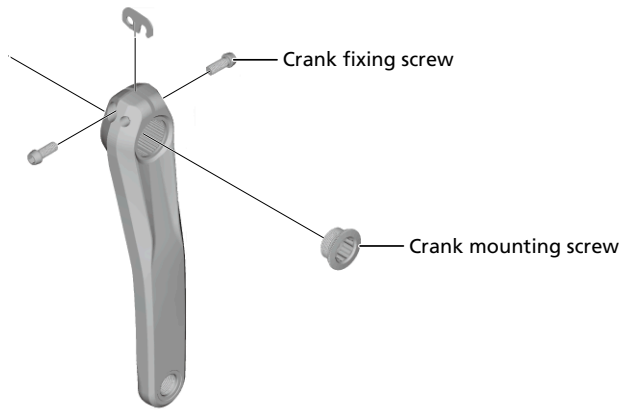
FC-EM900, FC-EM600, FC-M8150, FC-M8050, FC-E8050, FC-E8000, FC-E6100, FC-E6010, FC-E5000, FC-E5010

Parts Name	Model	Torque (N·m)	Tools	
Crank mounting screw	FC-EM900, FC-EM600, FC-M8150, FC-M8050, FC-E8050, FC-E8000, FC-E6100, FC-E6010	0.7 - 1.5	 / 	TL-FC16 / TL-FC18
	FC-E5000, FC-E5010	35		8 mm hexagon wrench
Crank fixing screw	FC-EM900, FC-EM600, FC-M8150, FC-M8050, FC-E8050, FC-E8000, FC-E6100, FC-E6010	12 - 14		5 mm hexagon wrench

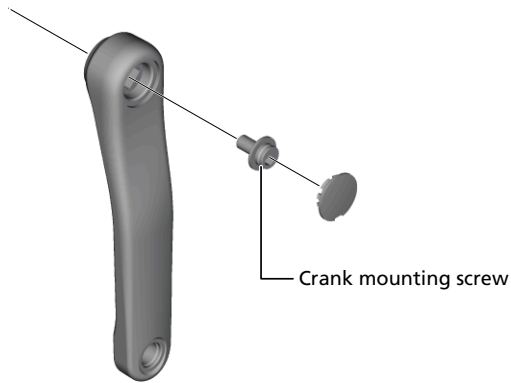
Reference image

- Example) FC-E8050

E-BIKE
Battery




- Example) FC-E5000



Battery

BT-EN805, BT-EN805-L, BT-EN806, BT-E8035, BT-E8035-L, BT-E8036

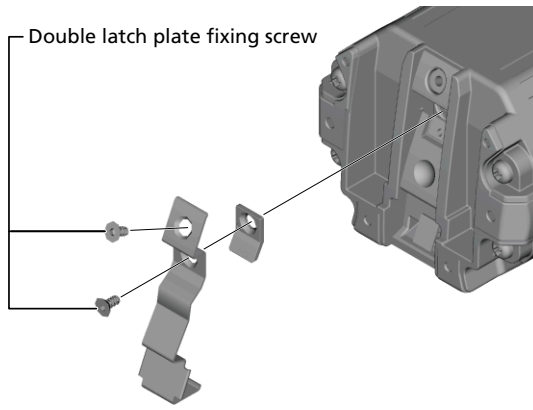
Parts Name	Model	Torque (N·m)	Tools	
Double latch plate fixing screw	All	0.6		2 mm hexagon wrench

Reference image

- Example) BT-EN806

E-BIKE

Battery



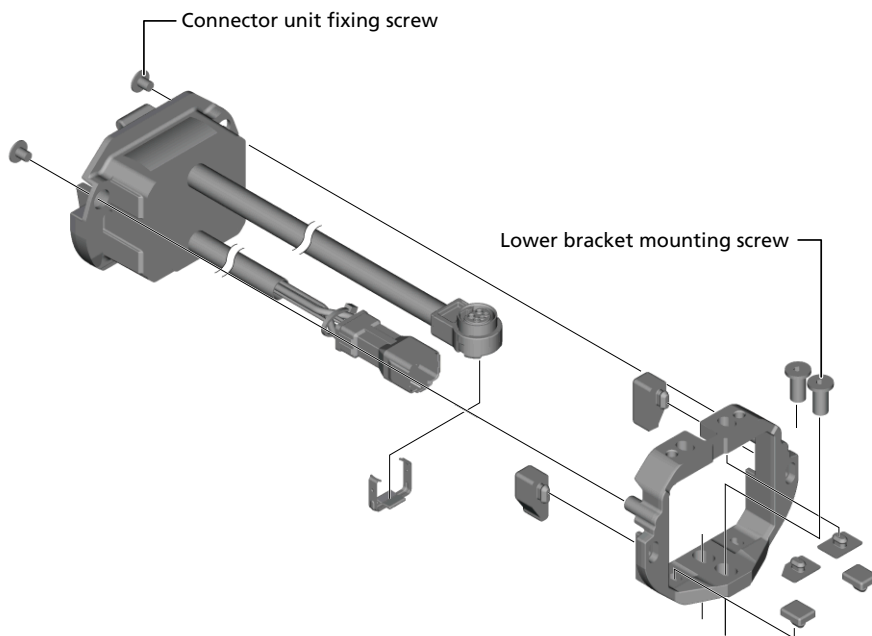
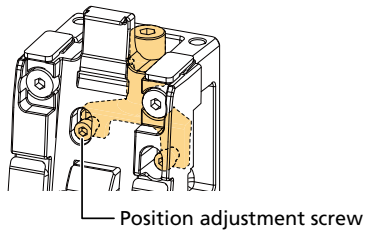
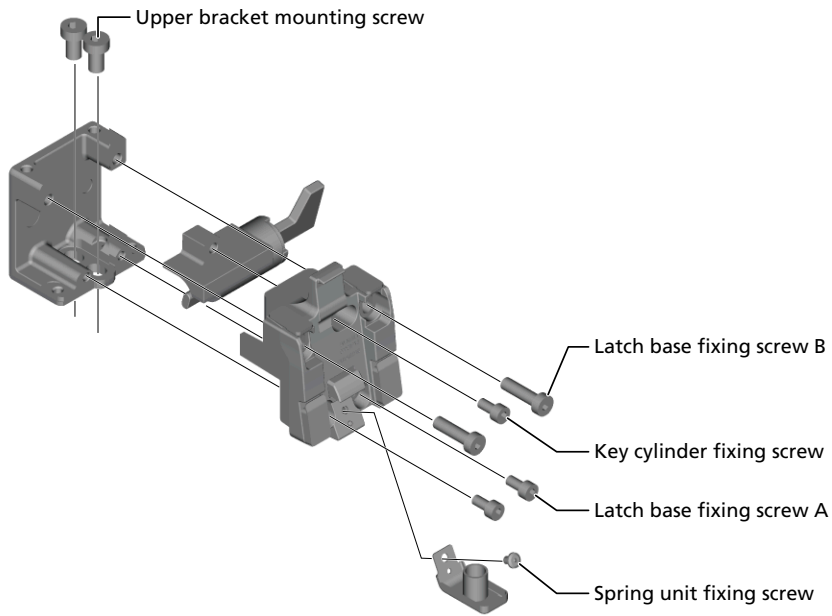
Battery Mount

BM-EN800, BM-EN801, BM-E8030, BM-E8031, BM-E8020

Parts Name	Model	Torque (N·m)	Tools	
Upper bracket mounting screw	BM-EN800, BM-EN801, BM-E8030, BM-E8031	4.5		3 mm hexagon wrench
Position adjustment screw	BM-EN801, BM-E8031	0.8		2.5 mm hexagon wrench
Latch base fixing screw A	BM-EN800, BM-EN801, BM-E8030, BM-E8031	3		3 mm hexagon wrench
Latch base fixing screw B	BM-EN800, BM-EN801, BM-E8030, BM-E8031	3		3 mm hexagon wrench
Key cylinder fixing screw	BM-EN800, BM-E8030	1		3 mm hexagon wrench
Spring unit fixing screw	BM-EN800, BM-EN801, BM-E8030, BM-E8031	0.5		1.5 mm hexagon wrench
Lower bracket mounting screw	BM-EN800, BM-EN801, BM-E8030, BM-E8031	6		4 mm hexagon wrench
Connector unit fixing screw	BM-EN800, BM-EN801, BM-E8030, BM-E8031	1		3 mm hexagon wrench
Upper case fixing screw	BM-E8020	0.6		Cross head screwdriver [#2]
Lower case mounting screw	BM-E8020	10		5 mm hexagon wrench
Key unit mounting screw	BM-E8020	10		5 mm hexagon wrench
Key unit cover fixing screw	BM-E8020	0.6		Cross head screwdriver [#2]
Key cylinder fixing screw	BM-E8020	0.6		2 mm hexagon wrench

Reference image

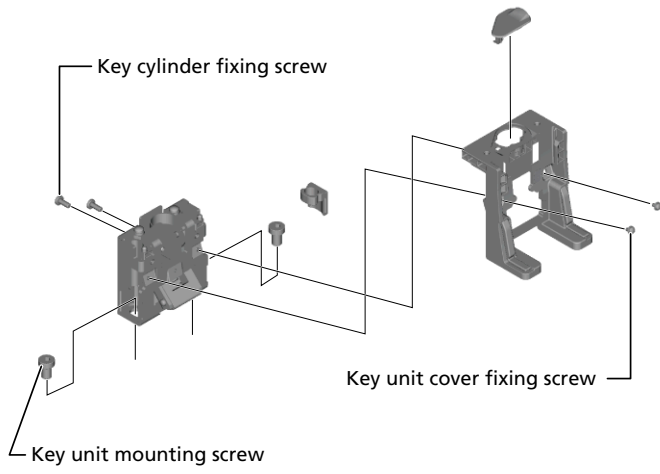
- Example) BM-EN800



E-BIKE

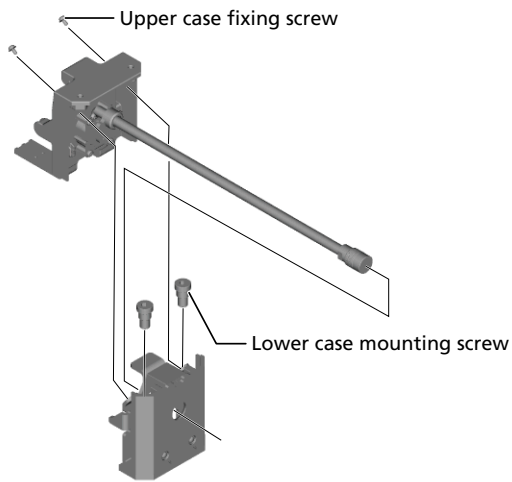
Battery Mount

- Example) BT-E8020










E-BIKE

Battery Mount



BM-EN600, BM-E8016, BM-E8010

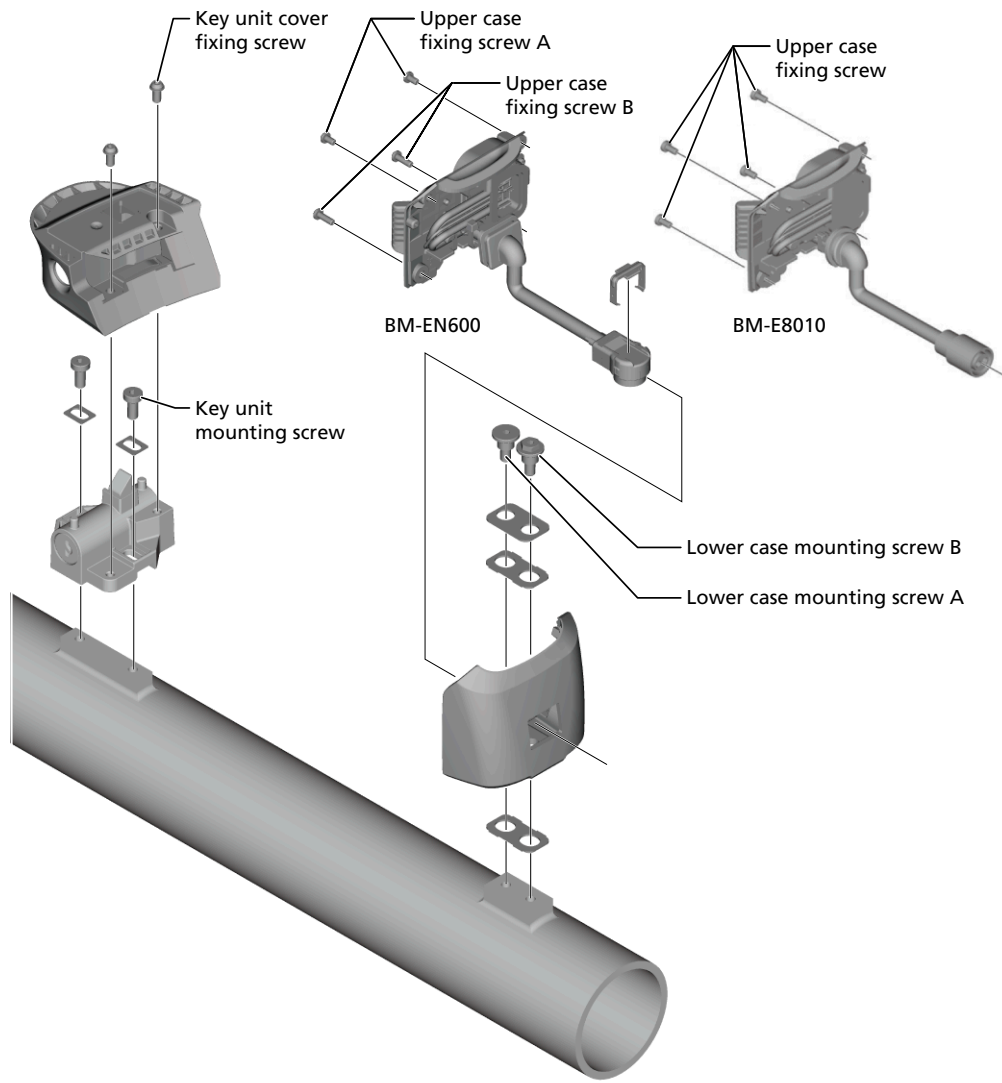
Parts Name	Model	Torque (N·m)	Tools	
Lower case mounting screw A	All	3		3 mm hexagon wrench
Lower case mounting screw B	All	3		8 mm spanner
Key unit mounting screw	All	3		3 mm hexagon wrench
Key unit cover fixing screw	All	0.6		2.5 mm hexagon wrench
Upper case fixing screw A	BM-EN600, BM-E8016	0.6		2.5 mm hexagon wrench
Upper case fixing screw B	BM-EN600, BM-E8016	0.6		2.5 mm hexagon wrench
Upper case fixing screw	BM-E8010	0.6		2.5 mm hexagon wrench

Reference image





- Example) BM-EN600, BM-E8010

E-BIKE

Battery Mount



BM-EN400

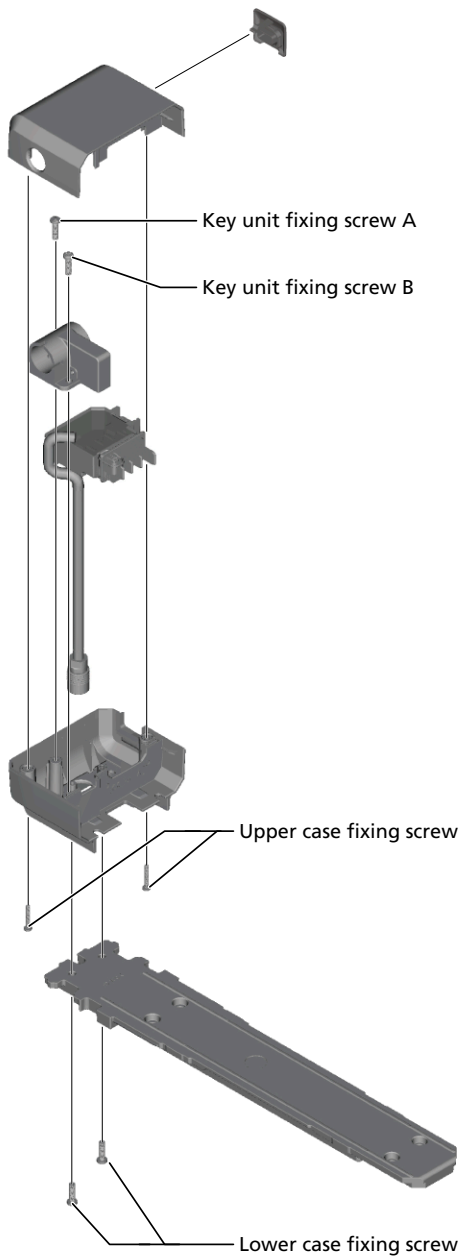
Parts Name	Model	Torque (N·m)	Tools	
Key unit fixing screw A	BM-EN400	1.6 - 1.8		Slotted screwdriver (6.5 mm)
Key unit fixing screw B	BM-EN400	1.6 - 1.8		Cross head screwdriver [#2]
Upper case fixing screw	BM-EN400	1.1 - 1.3		Hexalobular [#10]
Lower case fixing screw	BM-EN400	1.6 - 1.8		Cross head screwdriver [#2]
Mounting screw (M5)	BM-EN400	-	Depending on bicycle frame specification. Contact the bicycle manufacturer.	

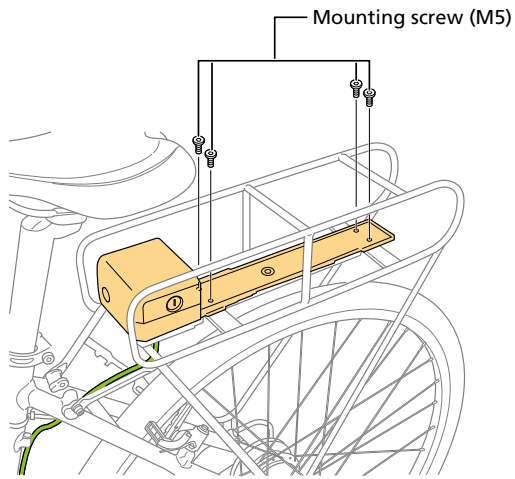
Reference image

- Example) BM-E6000

E-BIKE


Battery Mount





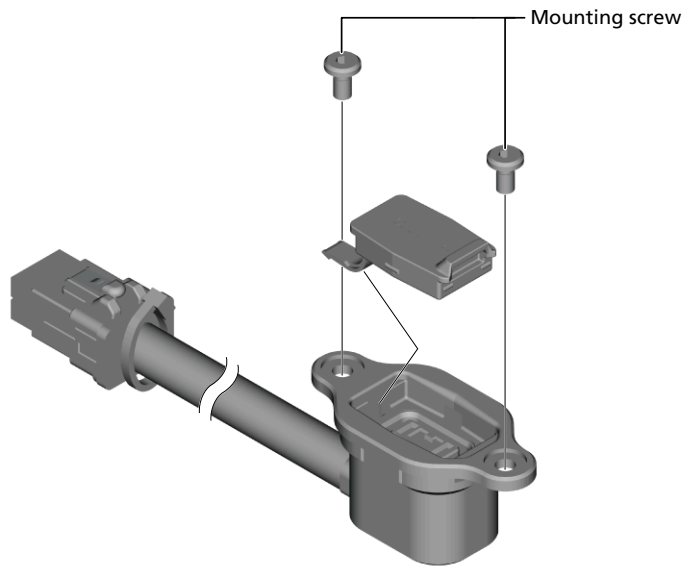
Satellite Charging Port

EW-CP100

Parts Name	Model	Torque (N·m)	Tools	
Mounting screw	EW-CP100	0.6		2 mm hexagon wrench


Reference image

- Example) EW-CP100



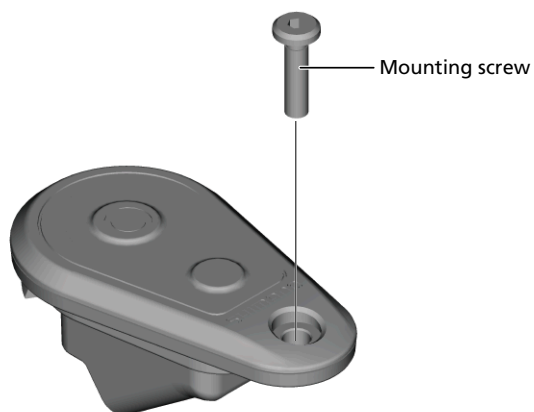
Satellite System ON/OFF Switch

EW-SW100, EW-SW300, EW-SW310

Parts Name	Model	Torque (N·m)	Tools	
Mounting screw	All	0.6		2 mm hexagon wrench





Reference image

- Example) EW-SW310



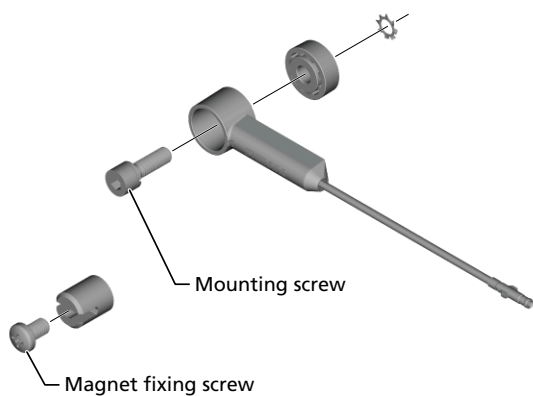
Speed Sensor

EW-SS300, EW-SS301, EW-SS302, SM-DUE10, SM-DUE11

Parts Name	Model	Torque (N·m)	Tools	
Mounting screw	EW-SS300, SM-DUE10	1.5 - 2		4 mm hexagon wrench / hexalobular [#25]
	EW-SS301, SM-DUE11	0.6		Hexalobular [#10]
	EW-SS302	0.8 - 1.3		Hexalobular [#10]
Magnet fixing screw	EW-SS300, SM-DUE10	1.5 - 2		Cross head screwdriver [#2]

Reference image

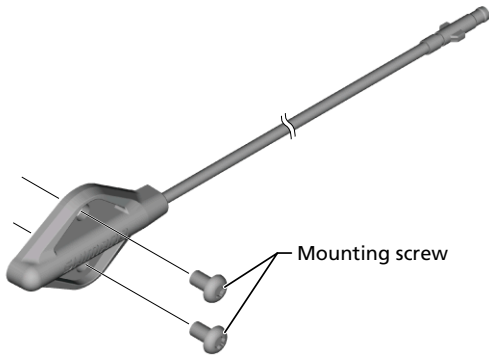
- Example) EW-SS300



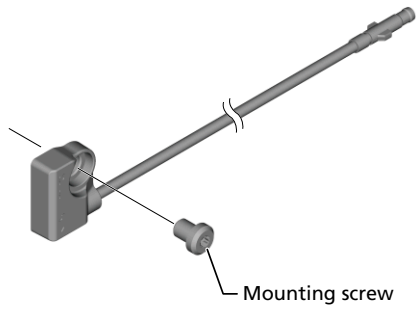
E-BIKE

Speed Sensor

- Example) EW-SS301







- Example) EW-SS302



LIFESTYLE

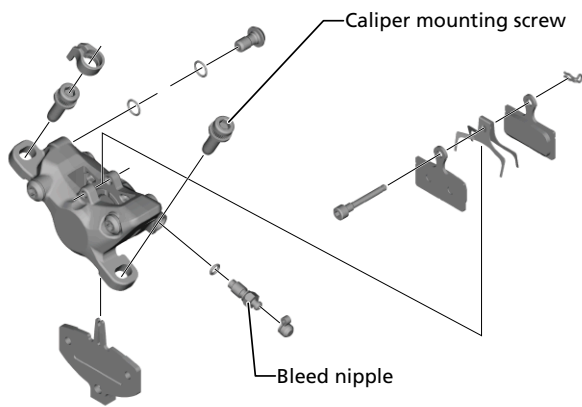
Hydraulic Disc Brake Caliper

BR-U8000, BR-U8020

Parts Name	Model	Torque (N·m)	Tools	
Banjo	All	4 - 6		3 mm hexagon wrench
Pad axle	All	1 - 1.5		3 mm hexagon wrench
Caliper mounting screw	All	6 - 8		5 mm hexagon wrench
Bleed nipple	All	4 - 6		7 mm box wrench





Reference image

- Example) BR-U8000



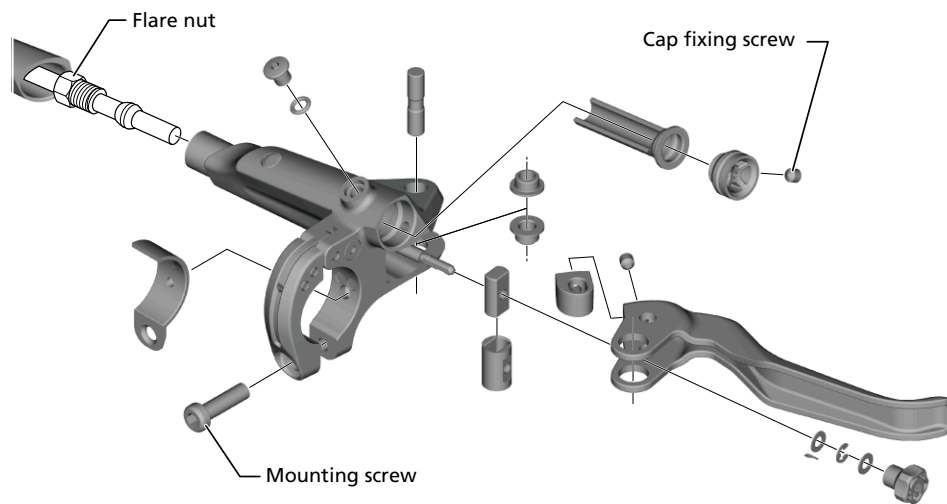
Hydraulic Disc Brake Lever

BL-U8000

Parts Name	Model	Torque (N·m)	Tools	
Mounting screw	BL-U8000	4 - 6		4 mm hexagon wrench
Flare nut	BL-U8000	5 - 7		8 mm spanner
Bleed screw	BL-U8000	0.5 - 1		2.5 mm hexagon wrench
Cap fixing screw	BL-U8000	0.2 - 0.3		2 mm hexagon wrench

Reference image

- Example) BL-U8000



Shifter

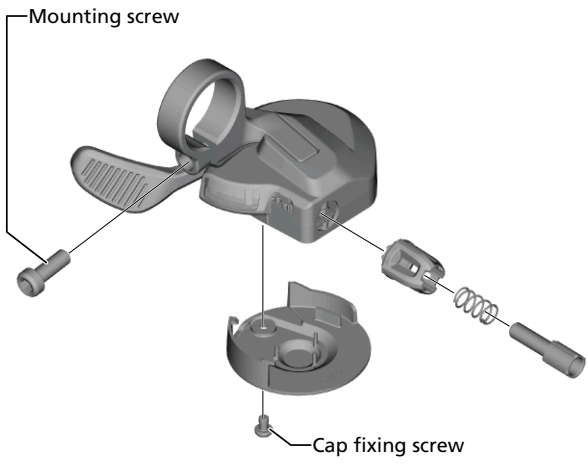
SL-U8000-IL, SL-U8000-11IR, SL-U8000-L, SL-U8000, SL-U6000

Parts Name	Model	Torque (N·m)	Tools	
Mounting screw	SL-U8000	3	4	4 mm hexagon wrench
	SL-U8000-IL, SL-U8000-11IR	4 - 6		
	SL-U6000	5	5	5 mm hexagon wrench
Cap fixing screw	SL-U8000-L, SL-U8000-IL	0.3	2	Cross head screwdriver [#2]
	SL-U8000	1.5	2.5	2.5 mm hexagon wrench

Reference image








- Example) SL-U8000

LIFESTYLE
Shifter



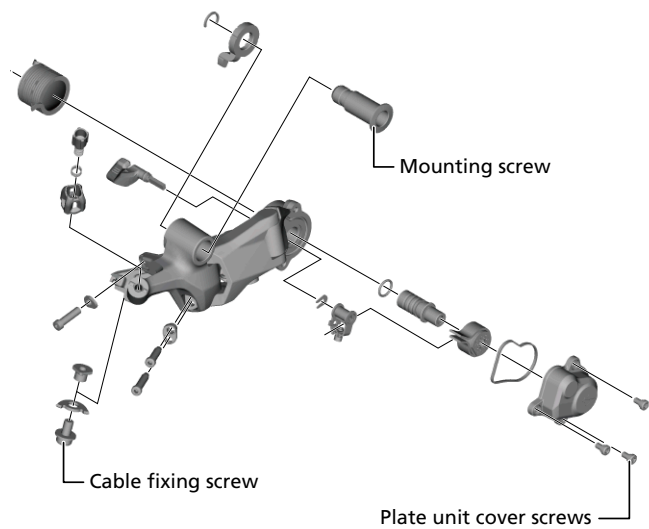
Rear Derailleur

RD-U8020, RD-U8000, RD-U6050, RD-U6070, RD-U6020, RD-U6000

Parts Name	Model	Torque (N·m)	Tools	
Mounting screw	All	8 - 10		5 mm hexagon wrench
Cable fixing screw	RD-U8000, RD-U8020	6 - 7		4 mm hexagon wrench
	RD-U6000, RD-U6020			5 mm hexagon wrench
Pulley screws	All	2.5 - 5		3 mm hexagon wrench
Plate axle	RD-U8020, RD-U8000, RD-U6020, RD-U6000	7.8 - 9.8		4 mm hexagon wrench
Plate unit cover screws	RD-U8020, RD-U8000, RD-U6020, RD-U6000	1 - 1.5		2 mm hexagon wrench
Plate stopper pin	RD-U8020, RD-U8000, RD-U6020, RD-U6000	1		Cross head screwdriver [#2]

Reference image

- Example) RD-U8000



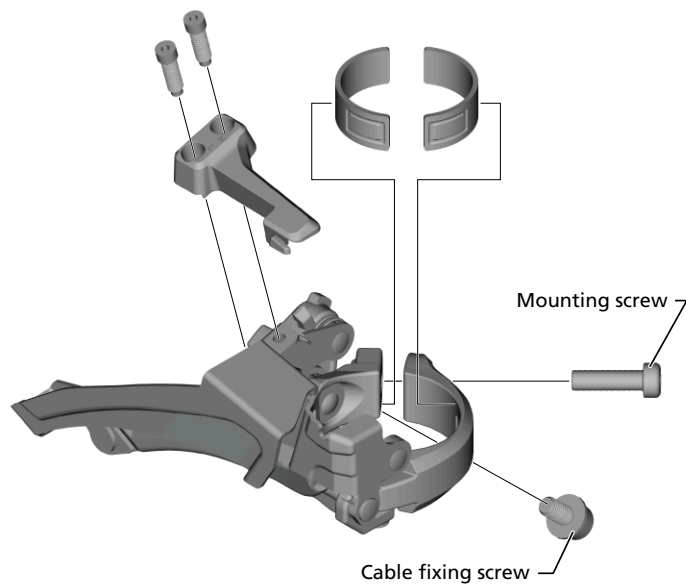
Front Derailleur

FD-U8010, FD-U6010, FD-U6000

Parts Name	Model	Torque (N·m)	Tools	
Mounting screw	All	5 - 7	5	5 mm hexagon wrench
	FD-U8010, FD-U6010		4	4 mm hexagon wrench
Cable fixing screw	All	5 - 7	5	5 mm hexagon wrench
	FD-U8010, FD-U6010		4	4 mm hexagon wrench

Reference image

- Example) FD-U8010



Hub set (Disc brake)

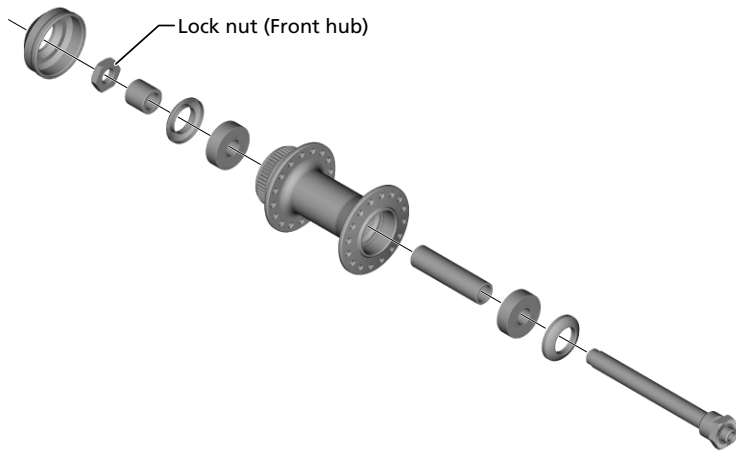
FH-TC500, HB-QC400, FH-QC400

Parts Name	Model	Torque (N·m)	Tools	
Rotor lock ring	ALL	40	TL-FC36 / TL-LR15 +	TL-FC36 / TL-LR15 + Adjustable wrench
Lock nut (Front hub)	HB-QC400	6 - 8	TL-HS37	TL-HS37
Lock nut (FREEHUB)	FH-TC500	3 - 5		17 mm hub spanner
Inner unit	FH-TC500	180 - 200		19 mm hexagon wrench
Freewheel body	FH-QC400	147 - 200		12 mm hexagon wrench

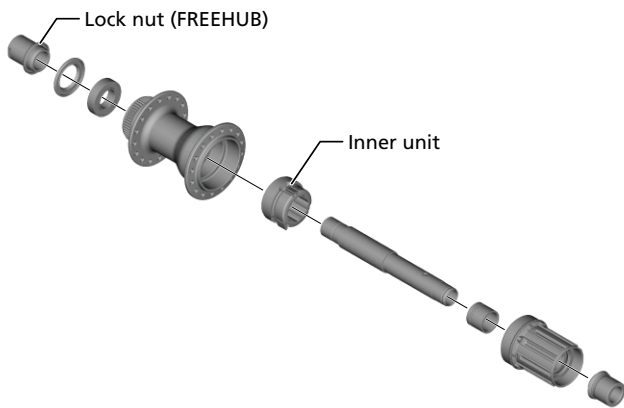
Reference image

- Example) HB-QC400

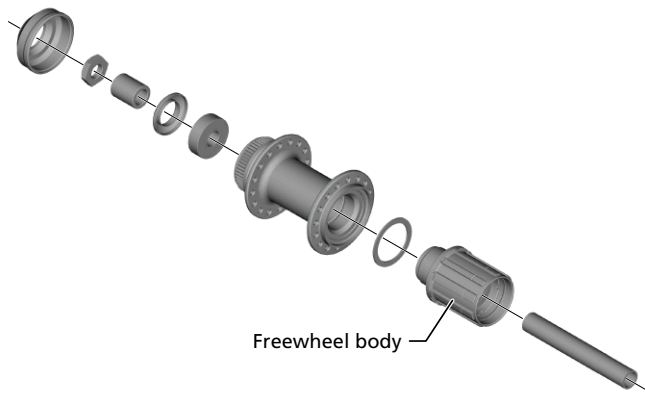
Hub set (Disc brake)



- Example) FH-TC500






- Example) FH-QC400











Cassette

CS-LG700-11, CS-LG400-11, CS-LG400-10, CS-LG300-10

Parts Name	Model	Torque (N·m)	Tools	
Lock ring	All	30 - 50	 /  + 	TL-LR10 / TL-LR15 + adjustable wrench

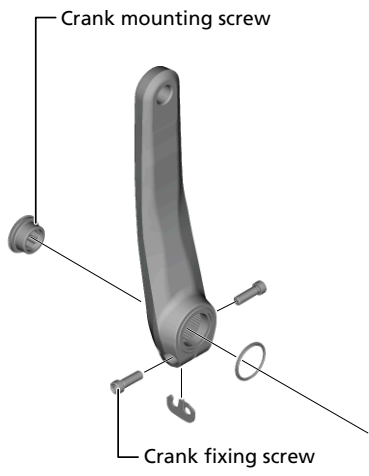
Crankset

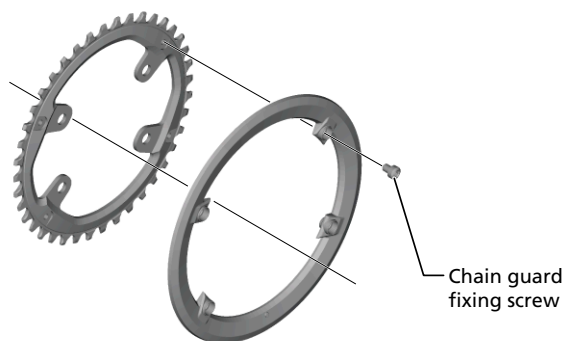
FC-U8000-2, FC-U8000-1, FC-U6000-1, FC-U6000-2, FC-U6000-2B, FC-U6010-2

Parts Name	Model	Torque (N·m)	Tools	
Crank mounting screw	FC-U6000-1 / FC-U6000-2 / FC-U6000-2B	35 - 50		8 mm hexagon wrench
	FC-U8000-1 / FC-U8000-2 / FC-U6010-2	0.7 - 1.5	 / 	TL-FC16 / TL-FC18
Crank fixing screw	FC-U8000-1 / FC-U8000-2 / FC-U6010-2	12 - 14		5 mm hexagon wrench
Chainring fixing screw	FC-U8000-1 / FC-U8000-2 / FC-U6010-2 / FC-U6000-2 / FC-U6000-2B	16 - 17		5 mm hexagon wrench
	FC-U6000-1	12 - 14		5 mm hexagon wrench
Chain guard fixing screw	FC-U8000-2 / FC-U6000-1 / FC-U6000-2 / FC-U6000-2B / FC-U6010-2	1.5 - 2		Cross head screwdriver [#2]
	FC-U8000-1	1.5 - 2		4 mm hexagon wrench

Reference image




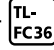

- Example) FC-U8000-1








Threaded Bottom Bracket

BB-MT801

Parts Name	Model	Torque (N·m)	Tools	
Left- and right-hand cups	BB-MT801	35 - 50	 + 	TL-FC25 + TL-FC32
			 + 	TL-FC25 + TL-FC36
				TL-FC37

Rotor

RT-MT800

Parts Name	Model	Torque (N·m)	Tools	
Rotor lock ring	RT-MT800	40	 +  / 	TL-LR15 + Adjustable wrench / TL-FC36

SHIMANO

SHIMANO NORTH AMERICA BICYCLE, INC.
One Holland, Irvine, California 92618, U.S.A. Phone: +1-949-951-5003

SHIMANO EUROPE B.V.
High Tech Campus 92, 5656 AG Eindhoven, The Netherlands Phone: +31-402-612222

SHIMANO INC.
3-77 Oimatsu-cho, Sakai-ku, Sakai City, Osaka 590-8577, Japan

Please note: specifications are subject to change for improvement without notice. (English)
© Oct. 2023 by SHIMANO INC. ITP