

Dealer's Manual

ROAD	MTB	Trekking
City Touring/ Comfort Bike	URBAN SPORT	E-BIKE

Crankset

SORA

FC-R3000
FC-R3030

CLARIS

FC-R2000
FC-R2030

Bottom bracket

BB-RS500
BB-RS500-PB

CONTENTS

IMPORTANT NOTICE.....	3
TO ENSURE SAFETY.....	4
LIST OF TOOLS TO BE USED.....	7
BB-RS500	7
BB-RS500-PB.....	7
INSTALLATION	9
Bottom bracket	9
PRESS-FIT BB	9
Installation of the crank	13
MAINTENANCE.....	16
Replacing chainrings.....	16

IMPORTANT NOTICE

- **This dealer's manual is intended primarily for use by professional bicycle mechanics.**

Users who are not professionally trained for bicycle assembly should not attempt to install the components themselves using the dealer's manuals. If any part of the information on the manual is unclear to you, do not proceed with the installation. Instead, contact your place of purchase or a local bicycle dealer for their assistance.

- Make sure to read all instruction manuals included with the product.
- Do not disassemble or modify the product other than as stated in the information contained in this dealer's manual.
- All manuals and technical documents are accessible online at <https://si.shimano.com>.
- For consumers who do not have easy access to the internet, please contact a SHIMANO distributor or any of the SHIMANO offices to obtain a hardcopy of the User's Manual.
- Please observe the appropriate rules and regulations of the country, state or region in which you conduct your business as a dealer.

For safety, be sure to read this dealer's manual thoroughly before use, and follow it for correct use.

The following instructions must be observed at all times in order to prevent personal injury and physical damage to equipment and surroundings. The instructions are classified according to the degree of danger or damage which may occur if the product is used incorrectly.

 **DANGER**

Failure to follow the instructions will result in death or serious injury.

 **WARNING**


Failure to follow the instructions could result in death or serious injury.

 **CAUTION**

Failure to follow the instructions could cause personal injury or physical damage to equipment and surroundings.

TO ENSURE SAFETY

WARNING

- **Be sure to follow the instructions provided in the manuals when installing the product.**
Only use SHIMANO genuine parts. If a component or replacement part is incorrectly assembled or adjusted, it can lead to component failure and cause the rider to lose control and crash.
-  Wear approved eye protection while performing maintenance tasks such as replacing components.

Be sure to also inform users of the following:

- *Never use alkali- or acid-based solvents such as rust cleaners. If those solvents are used the chain might break and cause serious injury.*
- *Clean the chain with an appropriate chain cleaner regularly. Intervals between maintenance depend on the use and riding circumstances.*
- Check that there are no cracks in the crank arms before riding the bicycle. If there are any cracks, the crank arm may break and you may fall off the bicycle.
- Be careful not to let the hemming of your clothes get caught in the chain while riding. Otherwise you may fall off the bicycle.
- Check the chain for any damage (deformation or crack), skipping, or other abnormalities such as unintended gear shifting. If any problems are found, consult a dealer or an agency. The chain may break, and you may fall.

For Installation to the Bicycle, and Maintenance:

- Install the inner cover correctly. If it is not installed correctly, the axle may rust and become damaged, and the bicycle may fall over and serious injury may occur as a result.
- The two left crank screws should be tightened alternately in stages rather than each fully tightened at once. Use a torque wrench to check that the tightening torques are within the range of 12 - 14 N·m. Also, after riding approximately 100 km (60 miles), use a torque wrench to re-check the tightening torques. Thereafter, continue to check the tightening torques periodically. If the tightening torques are too weak or if the mounting screws are not tightened alternately in stages, the left crank may come off and the bicycle may fall over, and serious injury may occur as a result.

CAUTION

Be sure to also inform users of the following:


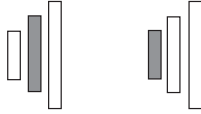

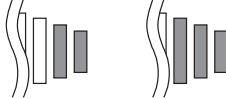
- Be careful not to touch the teeth of chainrings. There is a danger of injury.

NOTICE

Be sure to also inform users of the following:

- Before riding the bicycle, check that there is no play or looseness between connecting parts. Also, be sure to retighten the crank and pedals at periodic intervals.
- Be sure to keep turning the crank during the shift lever operation.

- When the chain is in any of the positions shown in the figures, the chain may come into contact with the chainring or front derailleur and generate noise. If noise is a problem, shift the chain onto the next largest sprocket or the one after it.

	Double	Triple
Chainring		
Sprocket		

- Use a neutral detergent to clean the crank arm and the bottom bracket. Using alkaline or acidic detergents may cause discoloration.
- If pedaling performance does not feel normal, contact your place of purchase.
- Do not wash the bottom bracket with high-pressure jets of water. Water may enter the bearing section and cause noise or adhesion.
- The gears should be periodically washed with a neutral detergent. In addition, cleaning the chain with neutral detergent and lubricating it can be an effective way of extending the life of the gears and the chain.
- The cuffs of your clothing may get dirty from the chain while riding.
- This product is not warrantied against damage caused by improper use, abuse, or issues resulting from a crash, unless the circumstance was caused by a manufacturing defect.
- Products are not guaranteed against natural wear and deterioration from normal use and aging.
- For maximum performance we highly recommend SHIMANO lubricants and maintenance products.

For Installation to the Bicycle, and Maintenance:







- When installing the pedals, apply a small amount of grease to the threads to prevent the pedals from sticking. Use a torque wrench to securely tighten the pedals. Tightening torque is 35 - 55 N·m. The right crank has a right-hand thread, and the left crank has a left-hand thread.
- If the bottom bracket shell is not parallel, gear shifting performance will drop.
- If the chain keeps coming off the gears during use, replace the gears and the chain.
- When installing the left- and right-hand cups, apply grease and be sure to install the inner cover. Otherwise, the waterproofing performance will worsen.
- To ensure the best performance, be sure to use only the specified type of chain.
- If a squeaking noise is heard coming from the bottom bracket axle and the left crank arm connector, apply grease to the connector and then tighten it to the specified torque.
- If you feel any looseness in the bearings, the bottom bracket should be replaced.
- Be sure to use the specified gear tooth combination. If an unspecified gear is used, the dimension between the gears changes, and the chain may fall in between the gears.

The actual product may differ from the illustration because this manual is intended mainly to explain the procedures for using the product.




LIST OF TOOLS TO BE USED

LIST OF TOOLS TO BE USED

The following tools are needed for installation, adjustment, and maintenance purposes.

Tool		Tool	
	4 mm hexagon wrench		Soft face mallet
	5 mm hexagon wrench	 TL-FC16	TL-FC16/TL-FC18
	8 mm hexagon wrench		
	17 mm spanner		



■ BB-RS500

Tool		Tool	
	TL-FC32		TL-FC36
	TL-FC33		

NOTICE

When using TL-FC32&TL-FC36, an impact wrench cannot be used.


■ BB-RS500-PB

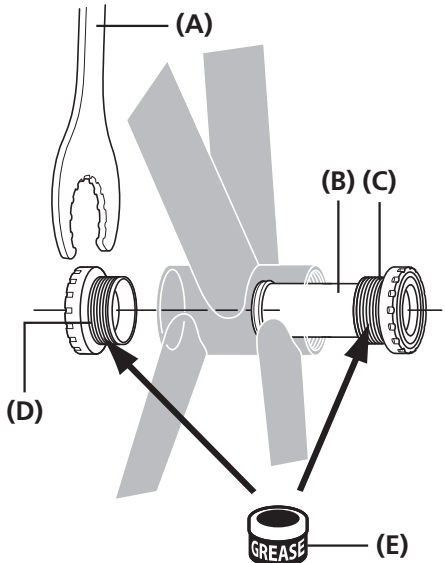
Tool		Tool	
	TL-BB12		TL-BB13

INSTALLATION

INSTALLATION




■ Bottom bracket





Grease the left- and right-hand cups and use the SHIMANO original tool to install the right-hand cup of the bottom bracket, the inner cover and the left-hand cup of the bottom bracket.

- (A)** TL-FC32
- (B)** Inner cover
- (C)** Right-hand cup (left-hand thread)
- (D)** Left-hand cup (right-hand thread)
- (E)** Apply grease: Premium Grease (Y04110000)

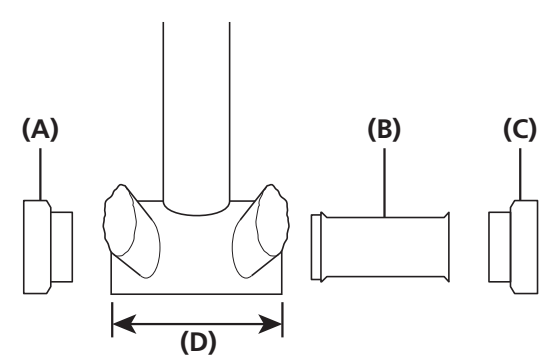
Tightening torque	
 TL-FC32  TL-FC33  TL-FC36	35 - 50 N·m

TECH TIPS

Turn the right-hand thread clockwise when the 70 mm [M36] bottom bracket is used (right-hand thread).

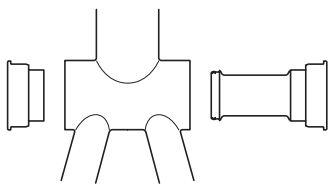
■ PRESS-FIT BB

Bottom bracket cups



- (A)** Left-hand cup
- (B)** Inner cover
- (C)** Right-hand cup
- (D)** Bottom bracket shell width

Assembly example



Use a bottom bracket compatible with a shell width of 86.5 mm.

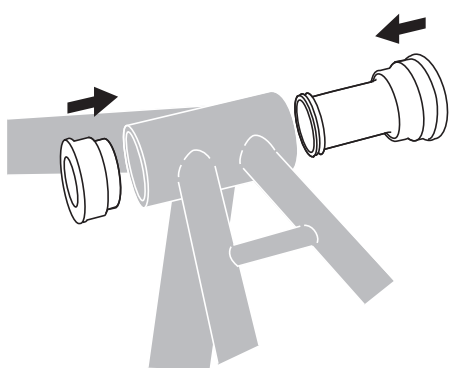
Use the inner cover.

NOTICE

- If the frame has openings for the bottom bracket shell, attach an inner cover sleeve to prevent foreign objects from getting inside.
- If the frame has no openings inside the bottom bracket shell, it can be installed without the inner cover sleeve.

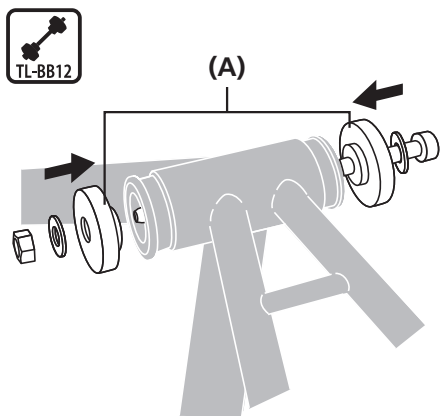
Installation

1



Insert the bottom bracket into the bottom bracket shell.

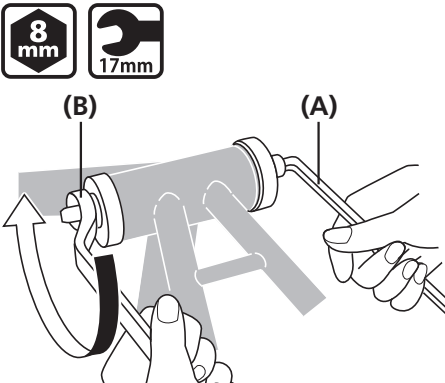
2



Insert the SHIMANO original tool into the bottom bracket.

(A) TL-BB12

3



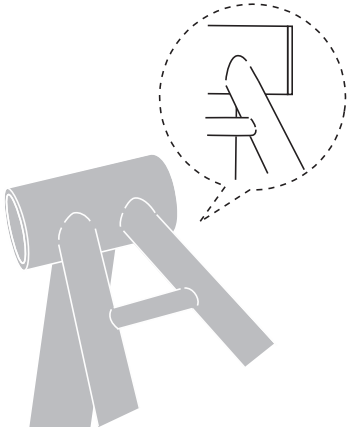
8 mm
17mm

(B) (A)

Press fit the bottom bracket by tightening with a spanner while making sure that the contact surface of the bottom bracket stays parallel to the contact surface of the bottom bracket shell.

- (A) 8 mm hexagon wrench
- (B) 17 mm spanner

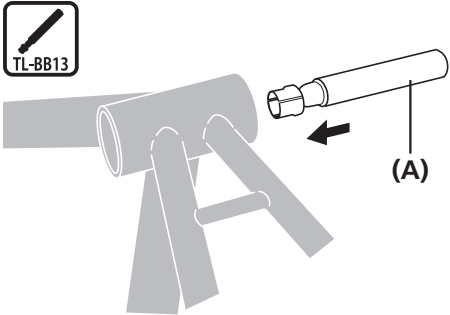
4



Check to confirm that there is no gap between the bottom bracket and the bottom bracket shell.

Removal

1



Insert the SHIMANO original tool into the bottom bracket.

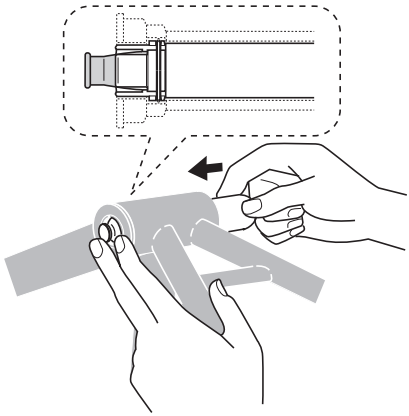
(A) TL-BB13

(A) TL-BB13

NOTICE

Do not reuse the cups as they can be damaged during removal.

2

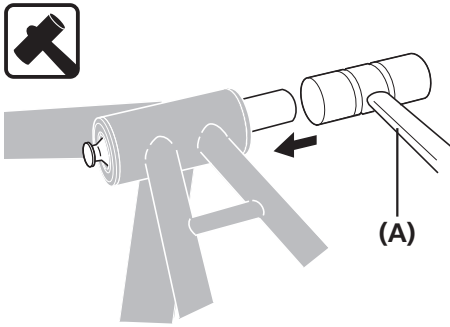


As shown in the illustration, hold down the flap with your fingers and push it in from the opposite side.
(When pushed in, the flap opens.)

TECH TIPS

While holding down the end of the removal tool, push the tool in from the other side until it locks in place.

3

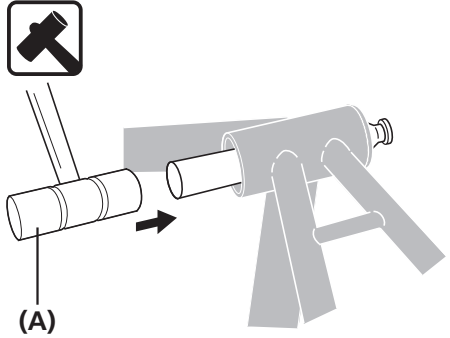


Tap the SHIMANO original tool with a soft face mallet until the end of the bottom bracket is ejected.

(A) Soft face mallet

(A) Soft face mallet

4



Tap the opposite end of the bottom bracket in the same way and remove it.

(A) Soft face mallet

(A) Soft face mallet

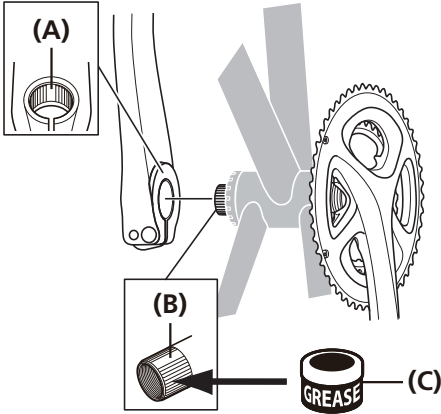
■ Installation of the crank

1



Fully insert the right crank arm unit until it touches the bottom bracket.

2

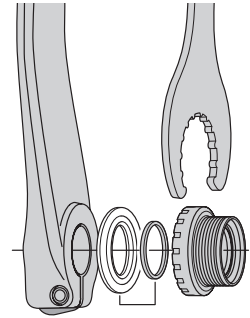


Set the wide groove area of the left crank arm into the axle of the right crank arm unit where the groove is wide.

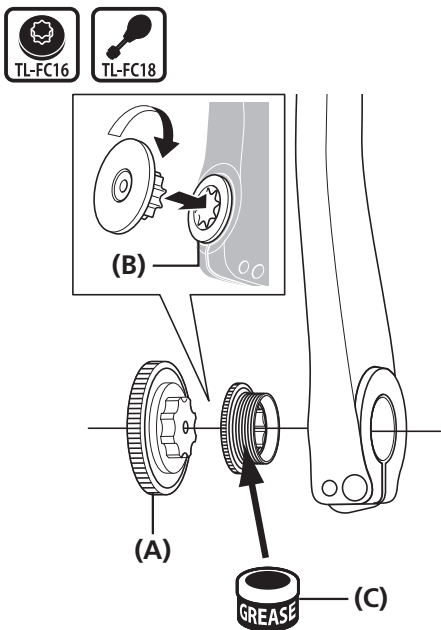
- (A) Wide groove area (left crank arm)
- (B) Wide groove area (axle)
- (C) Apply grease:
Premium Grease
(Y04110000)

NOTICE

Insert a spacer for the road bike triple specification.



3



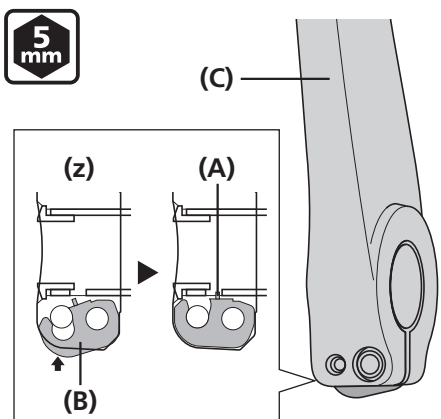
Use the SHIMANO original tool to tighten the cap.

- (A) TL-FC16
- (B) Cap
- (C) Apply grease:
Premium Grease
(Y04110000)

Tightening torque

	0.7 - 1.5 N·m

4



Push in the stopper plate and check that the plate pin is securely in place, and then tighten the screws of the left crank arm.

Tighten both screws equally to the specified tightening torque (12 - 14 N·m).

- (z) The illustration is of the left crank arm (cross-section)

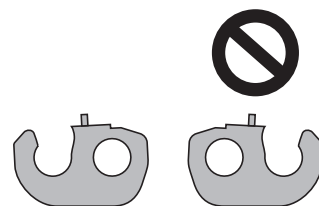
- (A) Plate pin
- (B) Stopper plate
- (C) Left crank arm

Tightening torque

	12 - 14 N·m
--	-------------

NOTICE

- The two screws should be tightened alternately in stages rather than each screw being fully tightened at once.
- Set the stopper plate in the correct direction as shown in illustration.



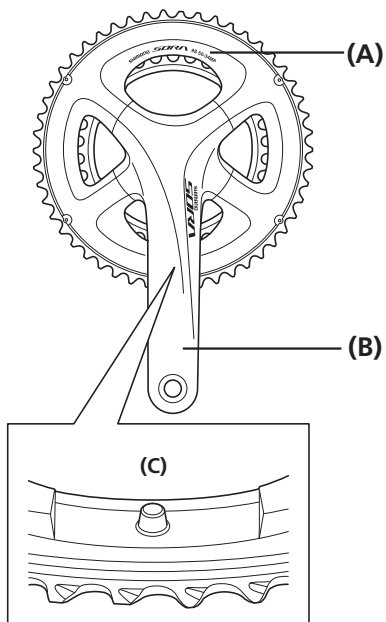
MAINTENANCE

MAINTENANCE

■ Replacing chainrings

FC-R3000/FC-R2000/FC-R2000-CG

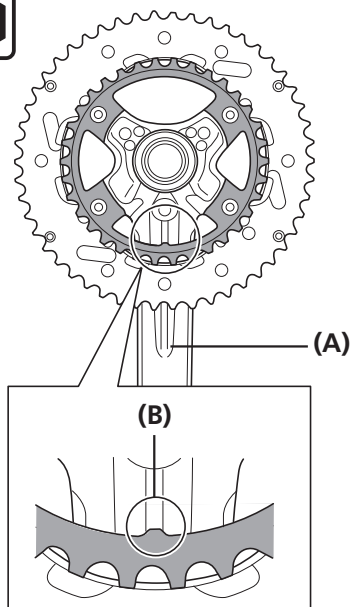
1



With the marked side of the largest chainring facing outward, set the largest chainring so that the chain drop prevention pin is positioned under the crank arm.

- (A) Mark
- (B) Crank arm
- (C) Chain drop prevention pin

2



With the marked side of the smallest chainring facing inward, set the smallest chainring so that the alignment tab is positioned under the crank arm.

- (A) Crank arm
- (B) Alignment tab

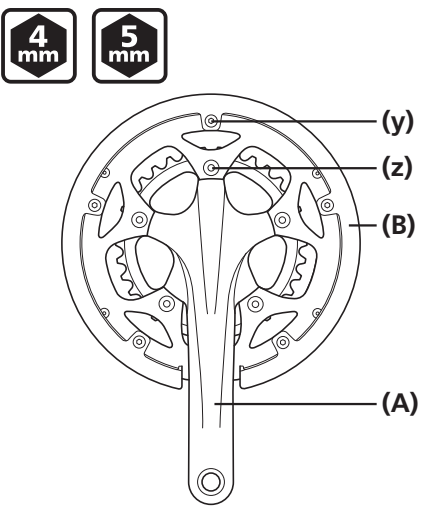
Tightening torque



12 - 14 N·m

FC-R3000-CG



1



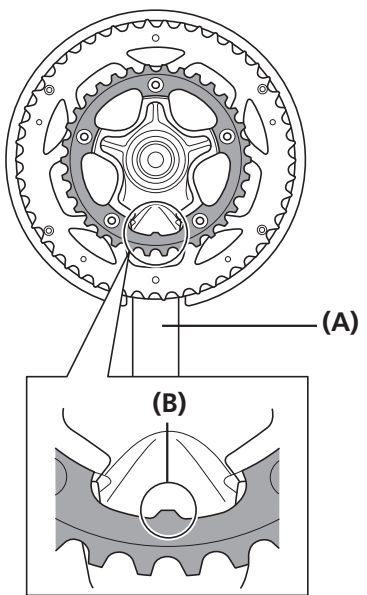
(y) 4 mm hexagon wrench
(z) 5 mm hexagon wrench

(A) Crank arm
(B) Chain guard

(A) Crank arm
(B) Chain guard

Tightening torque	
	1.5 - 2.5 N·m
	12 - 14 N·m

2



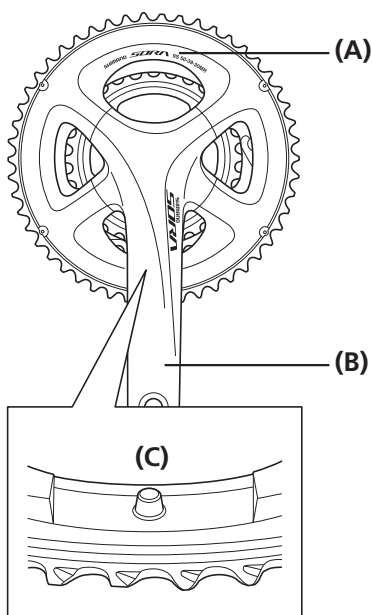
With the marked side of the smallest chainring facing inward, set the smallest chainring so that the alignment tab is positioned under the crank arm.

(A) Crank arm
(B) Alignment tab

(A) Crank arm
(B) Alignment tab

FC-R3030/FC-R2030/FC-R2030-CG

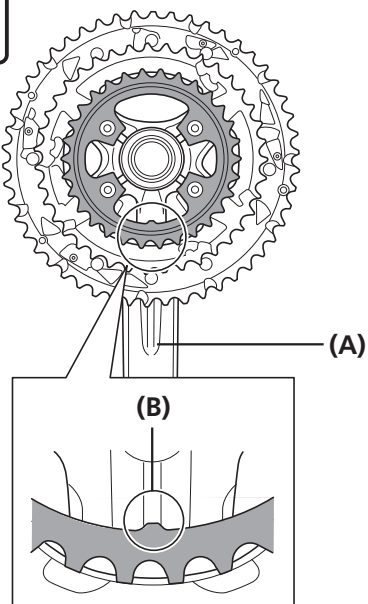
1



With the marked side of the largest chainring facing outward, set the largest chainring so that the chain drop prevention pin is positioned under the crank arm.

- (A) Mark
- (B) Crank arm
- (C) Chain drop prevention pin

2



Set the middle chainring and the smallest chainring so that the marked sides face inward and the alignment tab on each chainring is positioned under the crank arm.

- (A) Crank arm
- (B) Alignment tab

Smallest chainring

Tightening torque	
	16 - 17 N·m

Largest chainring/Middle chainring

Tightening torque	
	12 - 14 N·m

FC-R3030-CG

1

(y) 4 mm hexagon wrench
(z) 5 mm hexagon wrench

(A) Crank arm
(B) Chain guard

Tightening torque	
	1.5 - 2.5 N·m
	12 - 14 N·m

2

Set the middle chainring and the smallest chainring so that the marked sides face inward and the alignment tab on each chainring is positioned under the crank arm.

(A) Crank arm
(B) Alignment tab

Tightening torque	
	16 - 17 N·m

Smallest chainring

Tightening torque	
	16 - 17 N·m

Largest chainring/Middle chainring

Tightening torque	
	12 - 14 N·m

SHIMANO

SHIMANO NORTH AMERICA BICYCLE, INC.

One Holland, Irvine, California 92618, U.S.A. Phone: +1-949-951-5003

SHIMANO EUROPE B.V.

High Tech Campus 92, 5656 AG Eindhoven, The Netherlands Phone: +31-402-612222

SHIMANO INC.

3-77 Oimatsu-cho, Sakai-ku, Sakai City, Osaka 590-8577, Japan

Please note: specifications are subject to change for improvement without notice. (English)

© Oct. 2021 by SHIMANO INC. ITP