

Dealer's Manual

ROAD	MTB	Trekking
City Touring/ Comfort Bike	URBAN SPORT	E-BIKE

FRONT HUB/FREEHUB (DISC BRAKE)

HB-TX506

FH-TX506

CONTENTS




CONTENTS	2
IMPORTANT NOTICE	3
TO ENSURE SAFETY	4
LIST OF TOOLS TO BE USED	6
INSTALLATION/REMOVAL	7
Spoke lacing	7
• Standard spoke type	7
Installing the disc brake rotor	8
• 6 bolt type	8
• 6 bolt type (with lock washer)	10
MAINTENANCE	12
Front hub	12
• Disassembly	12
• Assembly	13
Freehub	13
• Replacing the freewheel body	14

IMPORTANT NOTICE

- **This dealer's manual is intended primarily for use by professional bicycle mechanics.**
Users who are not professionally trained for bicycle assembly should not attempt to install the components themselves using the dealer's manuals.
If any part of the information on the manual is unclear to you, do not proceed with the installation. Contact your place of purchase or a distributor for assistance.
- Make sure to read all manuals included with the product.
- Do not disassemble or modify the product other than as stated in the information contained in this dealer's manual.
- All manuals and technical documents are accessible online at <https://si.shimano.com>.
- For consumers who do not have easy access to the internet, please contact a SHIMANO distributor or any of the SHIMANO offices to obtain a hardcopy of the User's Manual.
- Please observe the appropriate rules and regulations of the country, state or region in which you conduct your business as a dealer.


For safety, be sure to read this dealer's manual thoroughly before use, and follow it for correct use.

The following instructions must be observed at all times in order to prevent personal injury and physical damage to equipment and surroundings.
The instructions are classified according to the degree of danger or damage which may occur if the product is used incorrectly.

 DANGER	Failure to follow the instructions will result in death or serious injury.
 WARNING	Failure to follow the instructions could result in death or serious injury.
 CAUTION	Failure to follow the instructions could cause personal injury or physical damage to equipment and surroundings.

TO ENSURE SAFETY

⚠ WARNING

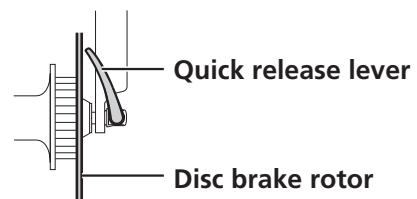
- **Be sure to follow the instructions provided in the manuals when installing the product.**
Only use SHIMANO genuine parts. If a component or replacement part is incorrectly assembled or adjusted, it can lead to component failure and cause the rider to lose control and crash.
-  Wear approved eye protection while performing maintenance tasks such as replacing components.

Be sure to also inform users of the following:

- **Before riding the bicycle, check that the wheels are secured. If the wheels are loose in any way, they may come off the bicycle and cause serious injury.**

- If the quick release lever is on the same side as the disc brake rotor, confirm that it does not interfere with the disc brake rotor. Otherwise, the bicycle may fall forward, and serious injury may result.

If the quick release lever interferes with the disc brake rotor, stop use and contact the place of purchase or a distributor.



- Make sure that the disc brake rotor has cooled down before operating the quick release lever. Failure to follow these instructions may result in burns or injury.
- Make sure to properly install the quick release hub onto the bicycle. Otherwise the wheel may detach from the bicycle while riding, resulting in serious injury.
- Make sure to read the manual for the quick release lever.

For installation to the bicycle, and maintenance:

- When installing the front wheel to the front suspension fork, always be sure to follow the directions given in the manual for the front suspension fork. The securing method and tightening torque for the front wheel both vary depending on the type of front suspension fork being used. If the instructions are not followed, the front wheel may fall out of the front fork and serious injury may occur. When the front wheel is tightened onto the front suspension fork in accordance with the tightening torque in the manual, the front wheel's rotation may become stiff; however, the instructions must always be followed.

Quick release type

- Use a front fork which is equipped with a wheel retention mechanism.

NOTICE

Be sure to also inform users of the following:

- This product is not warranted against damage resulting from improper use, such as jumping while riding or if the bicycle falls over, except if such malfunctions are caused by manufacturing methods.
- Products are not guaranteed against natural wear and deterioration from normal use and aging.
- For maximum performance we highly recommend SHIMANO lubricants and maintenance products.










For installation to the bicycle, and maintenance:

- If the wheel becomes stiff and difficult to turn, apply grease.
- Do not lubricate the internal parts of the hub. Otherwise, grease will flow out.

The actual product may differ from the illustration because this manual is intended mainly to explain the procedures for using the product.

LIST OF TOOLS TO BE USED

The following tools are needed for installation/removal, adjustment, and maintenance purposes.

Tool	
	12 mm hexagon wrench
	13 mm hub spanner
	17 mm hub spanner
	Hexalobular[#25]
	TL-FH12
	TL-HB16
	TL-HS33
	TL-HS35
	TL-HS37

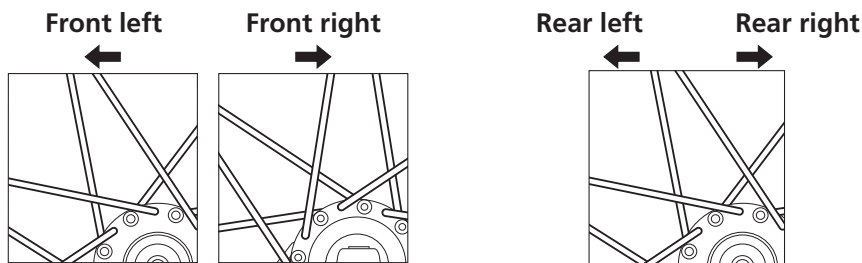
INSTALLATION/REMOVAL

Spoke lacing

Standard spoke type

1. Lace the spokes as shown in the figure.

Radial lacing is not supported.



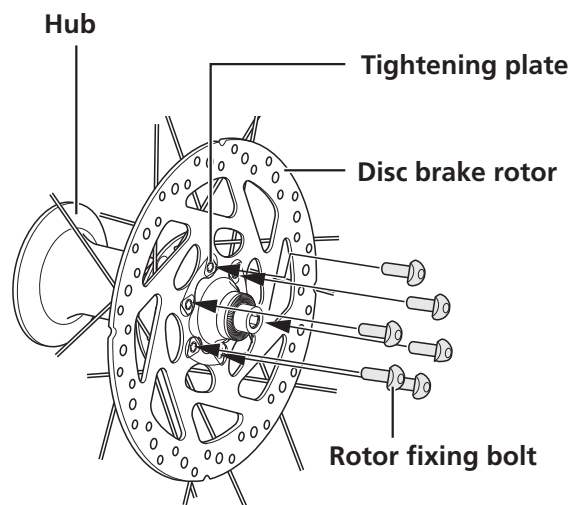
NOTICE

- Use SHIMANO original tools (for the front: TL-HB16, for the rear: TL-FH12) when assembling the wheel.
- Refer to "Specifications" on our website (<https://productinfo.shimano.com>) to obtain detailed specifications for each hub.

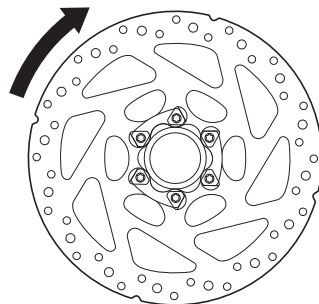
Installing the disc brake rotor

6 bolt type

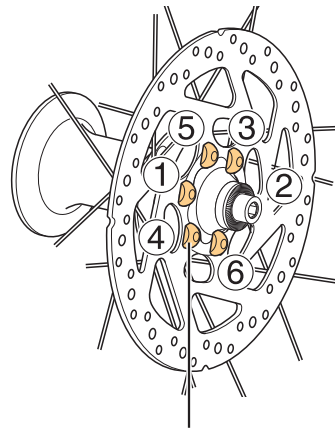
1. Place the disc brake rotor and disc brake rotor tightening plate on to the hub, and then temporarily fix them in place by tightening the disc brake rotor fixing bolts.



2. Wear gloves and turn the disc brake rotor clockwise with some force.



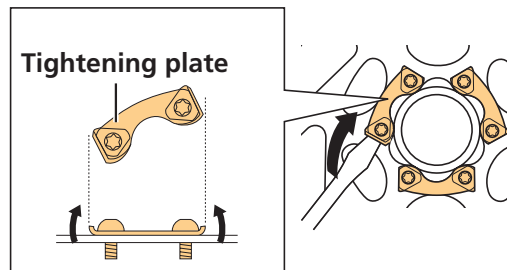
3. Tighten the rotor fixing bolts in the order shown in the figure.



Rotor fixing bolt

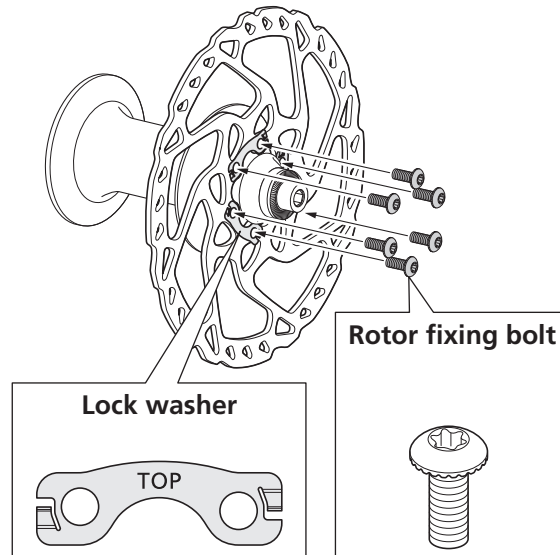
25 2 - 4 N·m

4. Use a slotted screwdriver or similar tool to bend the edges of the tightening plate over the heads of the bolts.



6 bolt type (with lock washer)

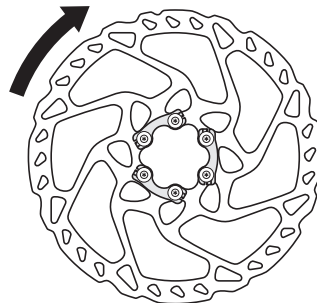
1. Place the disc brake rotor and rotor lock washers on to the hub, and then temporarily fix them in place by tightening the disc brake rotor fixing bolts.



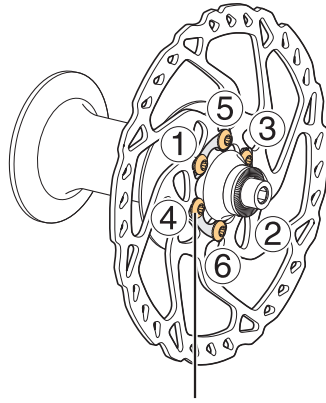
NOTICE

- Fit the lock washers so that the marking "TOP" is visible.
- The lock washers are not reusable. Always use new lock washers when installing the disc brake rotor.
- Use the dedicated rotor fixing bolts.

2. Wear gloves and turn the disc brake rotor clockwise with some force.



3. Tighten the rotor fixing bolts in the order shown in the figure.



Rotor fixing bolt

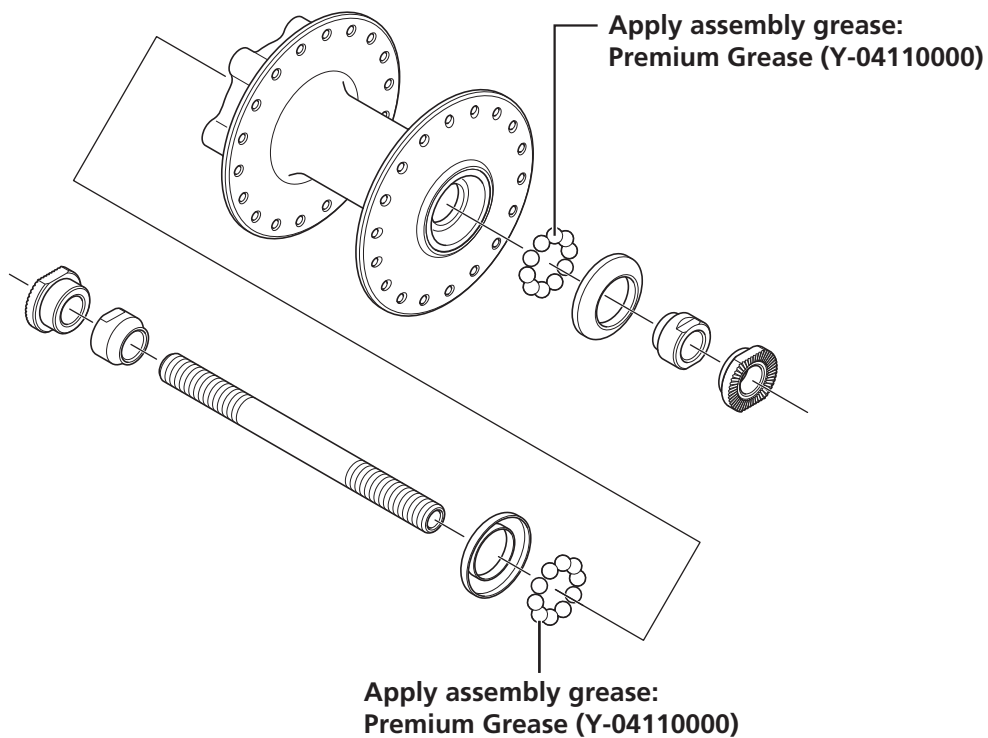
25 2 - 4 N·m

MAINTENANCE

Front hub

Disassembly

The front hub can be disassembled as shown in the figure. Apply grease to the indicated parts at periodic intervals.

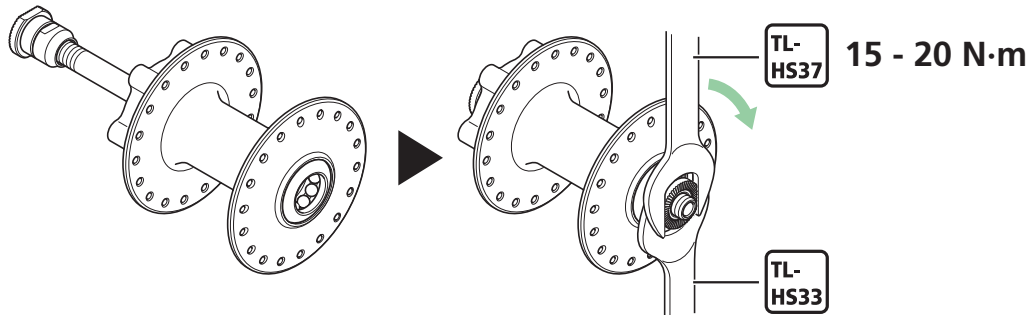


Assembly

1. Install the hub axle as shown in the figure.

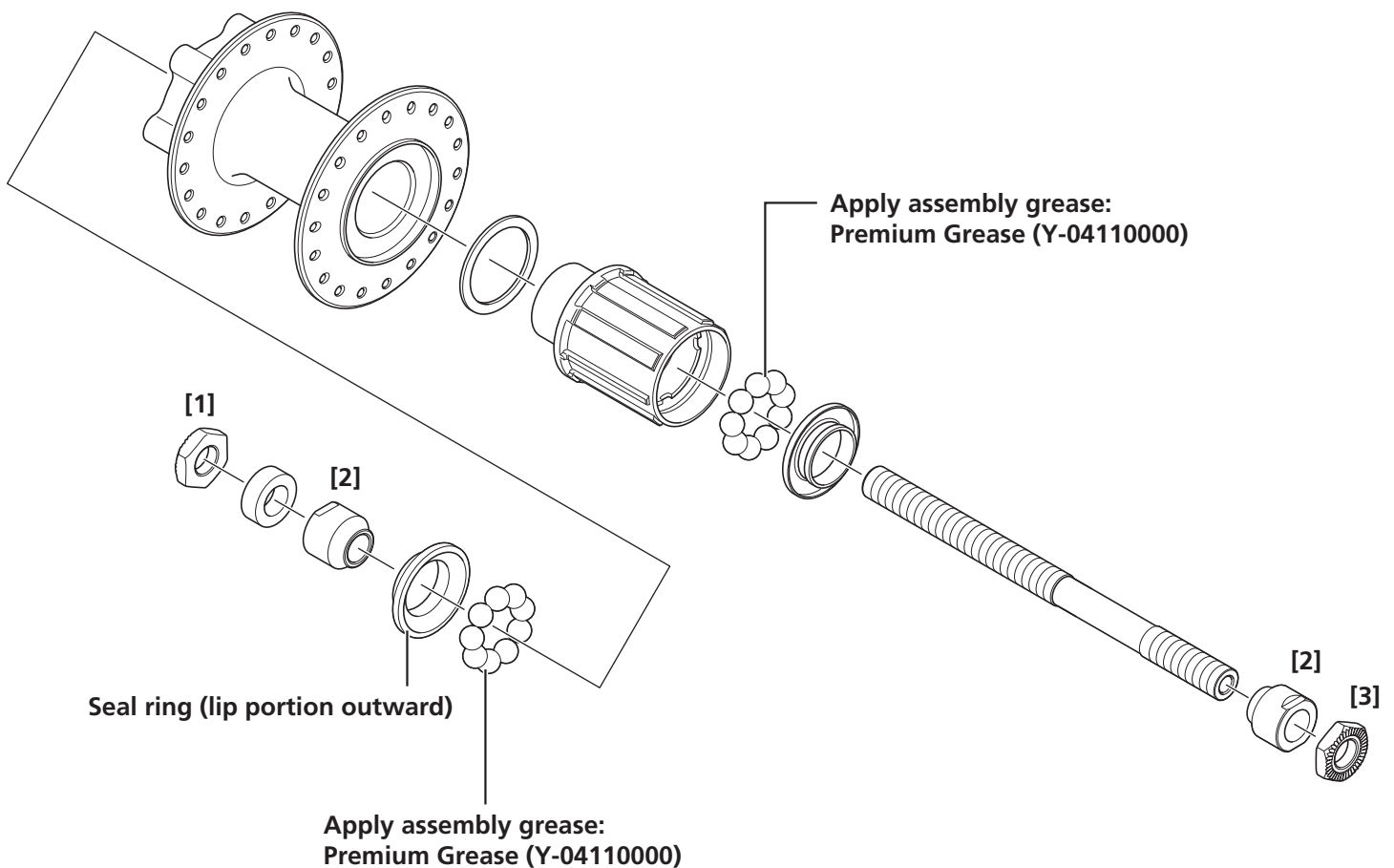
Install the hub axle from the left side of the hub body.

Tighten the lock nut so as to double-lock the mechanism.



Freehub

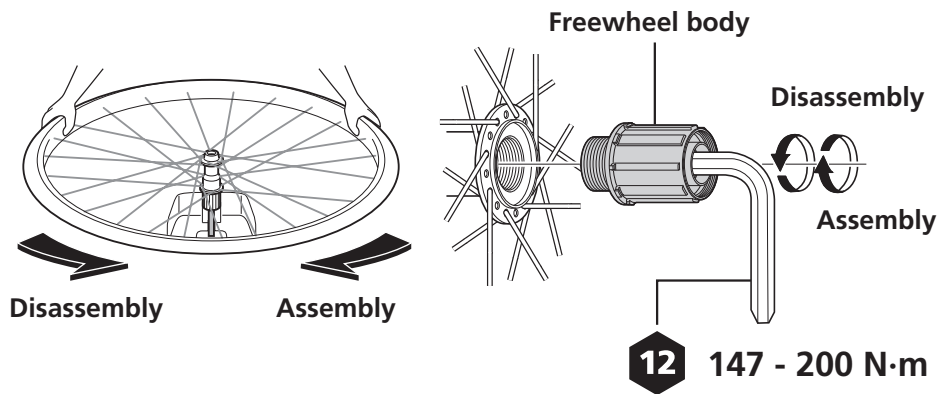
The freehub can be disassembled as shown in the figure. Apply grease to the indicated parts at periodic intervals.



	Part name	Tool	Tool tightening torque
[1]	Left hand lock nut	TL-HS37	10 - 15 N·m
[2]	Cone	TL-HS35	-
[3]	Right hand lock nut	TL-HS37	15 - 25 N·m

Replacing the freewheel body

1. After removing the hub axle, replace the freewheel body.



SHIMANO

SHIMANO NORTH AMERICA BICYCLE, INC.

One Holland, Irvine, California 92618, U.S.A. Phone: +1-949-951-5003

SHIMANO EUROPE B.V.

High Tech Campus 92, 5656 AG Eindhoven, The Netherlands Phone: +31-402-612222

SHIMANO INC.

3-77 Oimatsu-cho, Sakai-ku, Sakai City, Osaka 590-8577, Japan

Please note: specifications are subject to change for improvement without notice. (English)

© Dec. 2019 by SHIMANO INC. ITP