

Dealer's Manual

ROAD	MTB	Trekking
City Touring/ Comfort Bike	URBAN SPORT	E-BIKE

Cassette Sprocket

SLX

CS-M7000-11

DEORE

CS-M5100-11

CS-M4100-10

CS-LG600-11

CS-LG600-10

CS-HG500-10

Contents

Contents	2
IMPORTANT NOTICE	3
TO ENSURE SAFETY	4
List of tools to be used.....	6
Installation/removal	7
Installing the cassette sprocket.....	7
Removing the cassette sprocket	8
Sprocket pattern	9
• CS-M7000-11	9
• CS-M5100-11	10
• CS-LG600-11	11
• CS-M4100-10	12
• CS-LG600-10	13
• CS-HG500-10	14




IMPORTANT NOTICE

- **This dealer's manual is intended primarily for use by professional bicycle mechanics.** Users who are not professionally trained for bicycle assembly should not attempt to install the components themselves using the dealer's manuals. If any part of the information on the manual is unclear to you, do not proceed with the installation. Instead, contact your place of purchase or a distributor for assistance.
- Make sure to read all manuals included with the product.
- Do not disassemble or modify the product other than as stated in the information contained in this dealer's manual.
- All manuals and technical documents are accessible online at <https://si.shimano.com>.
- For consumers who do not have easy access to the internet, please contact a SHIMANO distributor or any of the SHIMANO offices to obtain a hardcopy of the User's Manual.
- Please observe the appropriate rules and regulations of the country, state or region in which you conduct your business as a dealer.

For safety, be sure to read this dealer's manual thoroughly before use, and follow it for correct use.


The following instructions must be observed at all times in order to prevent personal injury and physical damage to equipment and surroundings.

The instructions are classified according to the degree of danger or damage which may occur if the product is used incorrectly.

 DANGER	Failure to follow the instructions will result in death or serious injury.
 WARNING	Failure to follow the instructions could result in death or serious injury.
 CAUTION	Failure to follow the instructions could cause personal injury or physical damage to equipment and surroundings.

TO ENSURE SAFETY

WARNING

- **Be sure to follow the instructions provided in the manuals when installing the product.** Only use SHIMANO genuine parts. If a component or replacement part is incorrectly assembled or adjusted, it can lead to component failure and cause the rider to lose control and crash.
-  Wear approved eye protection while performing maintenance tasks such as replacing components.

Be sure to also inform users of the following:

- Clean the chain and QUICK-LINK with an appropriate chain cleaner regularly. Intervals between maintenance depend on the use and riding circumstances. Never use alkali based or acid based solvents such as rust cleaners. If those solvents are used the chain or QUICK-LINK might break and cause serious injury.

NOTICE

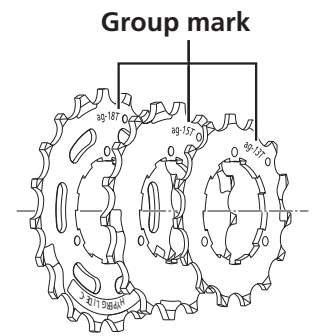
Be sure to also inform users of the following:

- If the chain keeps skipping during use, consult the place of purchase.
- The gears should be periodically washed with a neutral detergent then lubricated. In addition, cleaning the chain and QUICK-LINK with a neutral detergent and lubricating them can be an effective way of extending the life of the chain and QUICK-LINK.
- Products are not guaranteed against natural wear and deterioration from normal use and aging.
- For maximum performance we highly recommend SHIMANO lubricants and maintenance products.

For installation to the bicycle and maintenance

- The gears should be periodically washed with a neutral detergent. In addition, cleaning the chain with neutral detergent and lubricating it can be an effective way of extending the life of the gears and the chain.
- Always use the recommended combination of gears.

- Always be sure to use the sprocket set bearing the same group marks of gears; never use in combination with a sprocket bearing a different group mark of gears.
- * Depending on the tooth combination, some may not have a mark.






- Always use CS-M7000-11/CS-M5100-11 in combination with HG-X 11-speed chains, or with CN-LG500. Other chains cannot be used because the dimensions do not match.
- Always use CS-M4100-10/CS-HG500-10 in combination with HG-X 10-speed chains. Other chains cannot be used because the dimensions do not match.
- Before using CS-LG600 and other LINKGLIDE products, check the combinations listed in the compatibility information (<https://productinfo.shimano.com/#/com>). Other products cannot be used because the specifications do not match.
11-speed specifications: <https://productinfo.shimano.com/#/com?cid=C-432&acid=C-435>
10-speed specifications: <https://productinfo.shimano.com/#/com?cid=C-432&acid=C-436>

The actual product may differ from the illustration because this manual is intended mainly to explain the procedures for using the product.

List of tools to be used

The following tools are needed for installation/removal, adjustment, and maintenance purposes.

Tool	
 TL-LR10 / TL-LR15	TL-LR10 / TL-LR15
 TL-SR23 / TL-SR24	TL-SR23 / TL-SR24
	Adjustable wrench

Installation/removal

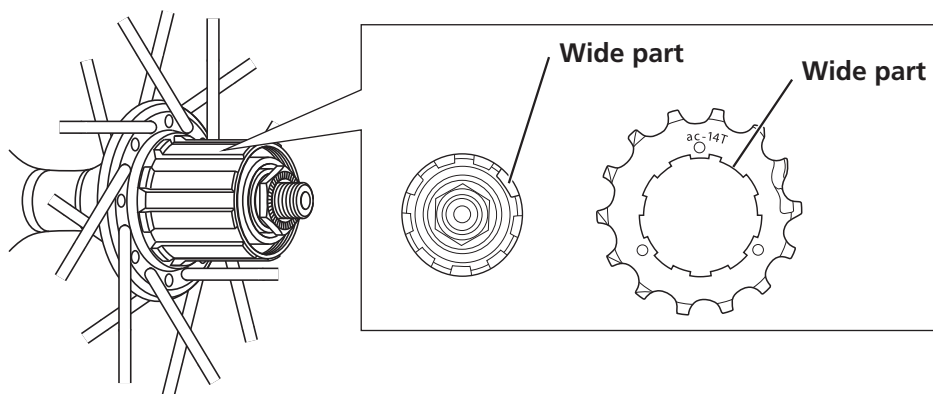
Installing the cassette sprocket

1. Place all of the sprockets on the freewheel body.

Place the sprockets in descending order from the largest sprocket.

Place the sprockets so that the wide convex section of the sprocket is aligned with the wide groove in the freewheel body.

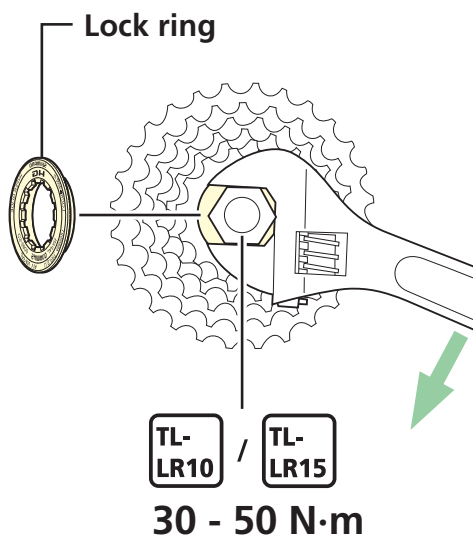
The marked side of the sprockets must be facing outward.



TECH TIPS

- There is only one wide groove area on the freewheel body and on each sprocket. Check when setting the sprockets.

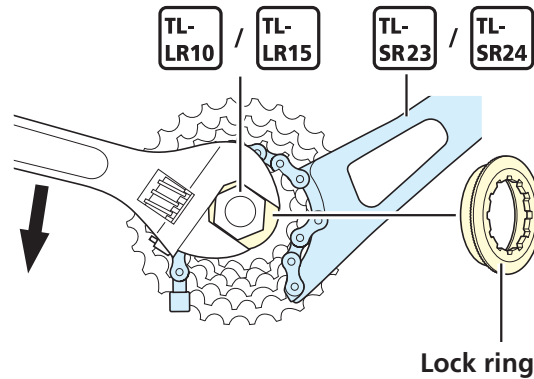
2. Place the lock ring into the freehub body and use a SHIMANO original tool to tighten.



Removing the cassette sprocket

1. Remove the lock ring with a SHIMANO original tool.

Install TL-SR23/TL-SR24 on the sprocket outward from the middle sprocket to secure the assembly. If the TL-SR23/TL-SR24 is set on a sprocket inward from the middle sprocket, it will not be stable.

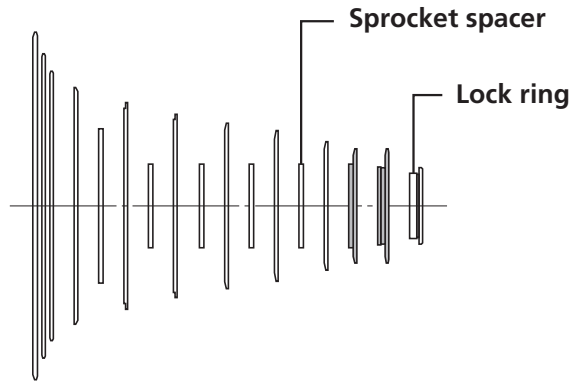


2. Remove the cassette sprocket from the freehub body.

Sprocket pattern

CS-M7000-11

< 11-40T (bs), 11-42T (bt), 11-46T >



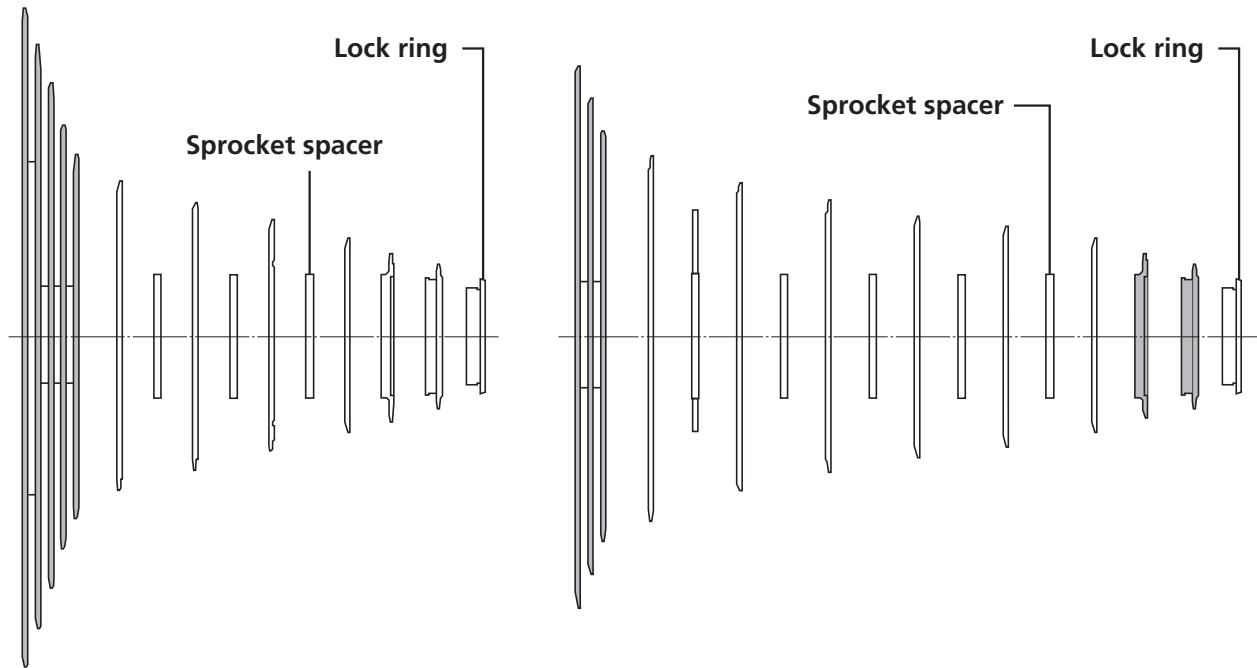
11-40T			11-42T			11-46T		
	Chainrings			Chainrings			Chainrings	
Number of teeth	(1)	(2)	Number of teeth	(1)	(2)	Number of teeth	(1)	(2)
40, 35, 31	40T bs, 35T bs, 31T bs	11S 40B, 11S 35B, 11S 31B	42, 37, 32	42T bt, 37T bt, 32T bt bu	11S 42A, 11S 37A, 11S 32B	46, 37, 32	46T bu, 37T2 bu, 32T bt bu	11S 46A, 11S 37B, 11S 32B
27	27T bs	11S 27D	28	28T bt bu	11S 28D	28	28T bt bu	11S 28D
24	24T bs bt bu	11S 24D	24	24T bs bt bu	11S 24D	24	24T bs bt bu	11S 24D
21	21T bs bt bu	11S 21H	21	21T bs bt bu	11S 21H	21	21T bs bt bu	11S 21H
19	19T bs bt bu	11S 19H	19	19T bs bt bu	11S 19H	19	19T bs bt bu	11S 19H
17	17T bs bt bu	11S 17E	17	17T bs bt bu	11S 17E	17	17T bs bt bu	11S 17E
15	15T bs bt bu	11S 15C	15	15T bs bt bu	11S 15C	15	15T bs bt bu	11S 15C
13	13T bs bt bu	11S 13C	13	13T bs bt bu	11S 13C	13	13T bs bt bu	11S 13C
11	11T bs bt bu	11S 11B	11	11T bs bt bu	11S 11B	11	11T bs bt bu	11S 11B

Sprockets will have a gear group marking of either (1) or (2).

CS-M5100-11

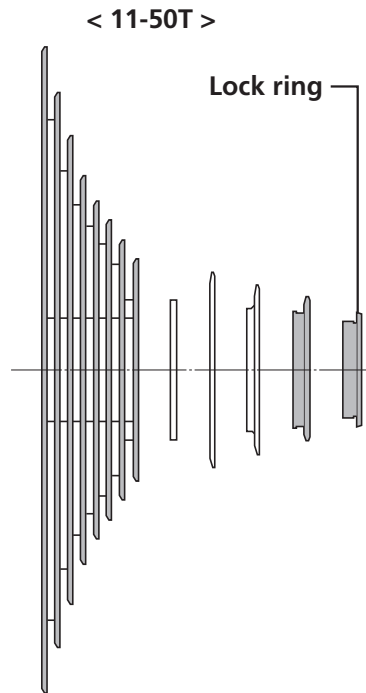
< 11-51T >

< 11-42T >



11-51T		11-42T	
Number of teeth	Mark	Number of teeth	Mark
51, 45, 39, 33, 28	51C, 45G, 39C, 33B, 28G	42, 37, 32, 28, 24	42B, 11S 37A, 11S 32B, 11S 28D, 11S 24D
24	24T bv	21	11S 21H
21	21L	19	11S 19H
18	18G	17	11S 17E
15	15T bj bk bv	15	11S 15C
13	13C 11S	13	11S 13C
11	11B 11S	11	11S 11B

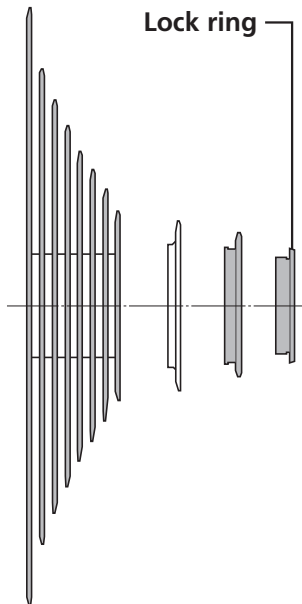
CS-LG600-11



11-50T	
Number of teeth	Mark
50,	50T,
43,	43T,
36,	36T,
30,	30T,
26,	26T,
23,	23T,
20,	20T,
17	17T
15	15T
13	13T
11	11T

CS-M4100-10

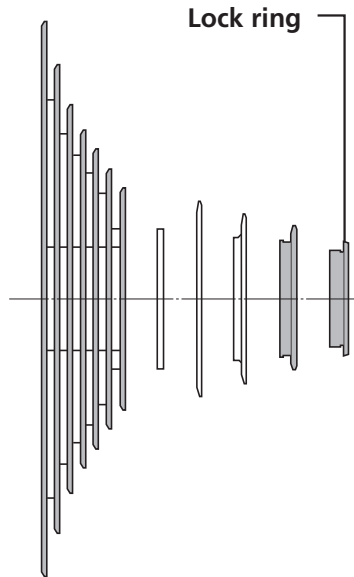
< 11-46T >



11-46T		11-42T	
Number of teeth	Mark	Number of teeth	Mark
46,	46B,	42,	42C,
37,	37T bv,	37,	37T bv,
32,	32T2 bv,	32,	32T2 bv,
28,	28T2 bv,	28,	28T2 bv,
24,	24T bv,	24,	24T bv,
21,	21T2 bv,	21,	21T2 bv,
18,	18T2 bv,	18,	18T2 bv,
15	15T bj bk bv	15	15T bj bk bv
13	13T bj bk bv	13	13T bj bk bv
11	11T bj bk bv	11	11T bj bk bv

CS-LG600-10

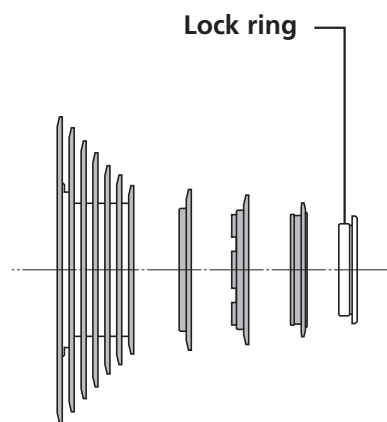
< 11-43T >



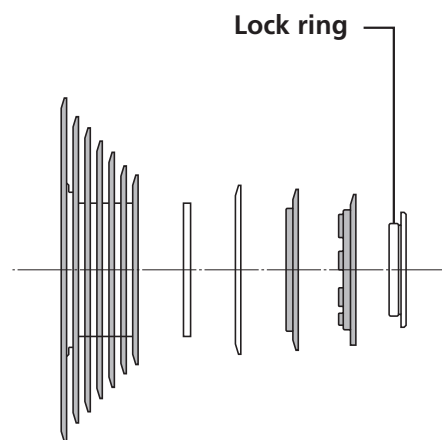
11-43T	
Number of teeth	Mark
43,	43T,
36,	36T,
30,	30T,
26,	26T,
23,	23T,
20,	20T,
17	17T
15	15T
13	13T
11	11T

CS-HG500-10

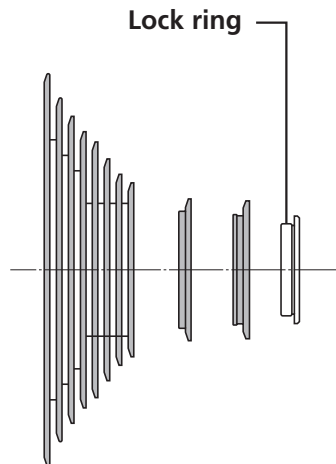
< 11-25T >



< 12-28T >



< 11-32T(bl), 11-34T(bj), 11-42T(bv) >



11-25T		12-28T		11-32T(bl)	
Number of teeth	Mark	Number of teeth	Mark	Number of teeth	Mark
25,	25T2,	28,	28T,	32,	32T bl,
23,	23T,	25,	25T,	28,	28T bl,
21,	21T,	23,	23T,	25,	25T bl,
19,	19T3,	21,	21T,	22,	22T bl,
17,	17T2,	19,	19T3,	20,	20T bl,
15,	15T,	17,	17T2,	18,	18T bl,
14,	14T,	15,	15T,	16,	16T bl,
13	13T	14	14T	14	14T bl
12	12T	13	13T	12	12T bl
11	11T	12	12T	11	11T2 bl

11-34T(bj)		11-42T(bv)	
Number of teeth	Mark	Number of teeth	Mark
34,	34T bj,	46,	42T bv,
30,	30T bj,	37,	37T bv,
26,	26T bj,	32,	32T2 bv,
23,	23T bj,	28,	28T2 bv,
21,	21T bj bk,	24,	24T bv,
19,	19T bj bk,	21,	21T2 bv,
17,	17T bj bk,	18,	18T2 bv,
15	15T bj bk bv	15	15T bj bk bv
13	13T bj bk bv	13	13T bj bk bv
11	11T bj bk bv	11	11T bj bk bv

SHIMANO

SHIMANO NORTH AMERICA BICYCLE, INC.

One Holland, Irvine, California 92618, U.S.A. Phone: +1-949-951-5003

SHIMANO EUROPE B.V.

High Tech Campus 92, 5656 AG Eindhoven, The Netherlands Phone: +31-402-612222

SHIMANO INC.

3-77 Oimatsu-cho, Sakai-ku, Sakai City, Osaka 590-8577, Japan

Please note: specifications are subject to change for improvement without notice. (English)

© Feb. 2021 by SHIMANO INC. ITP