

Dealer's Manual

Front hub/ Freehub (Disc brake)

HB-M3050

FH-M3050

HB-MT200

FH-MT200-B

HB-RM33

FH-RM33

FH-RM35

HB-TX505

FH-TX505

FH-TY505

FH-UR600

CONTENTS

- IMPORTANT NOTICE..... 3**
- TO ENSURE SAFETY..... 4**
- LIST OF TOOLS TO BE USED..... 6**
- INSTALLATION 8**
 - Spoke lacing 8
 - Installation of the disc brake rotor 8
- MAINTENANCE 10**
 - Front hub 10
 - Freehub..... 11

IMPORTANT NOTICE

- **This dealer's manual is intended primarily for use by professional bicycle mechanics.**
Users who are not professionally trained for bicycle assembly should not attempt to install the components themselves using the dealer's manuals. If any part of the information on the manual is unclear to you, do not proceed with the installation. Instead, contact your place of purchase or a local bicycle dealer for their assistance.
- Make sure to read all instruction manuals included with the product.
- Do not disassemble or modify the product other than as stated in the information contained in this dealer's manual.
- All manuals and technical documents are accessible online at <https://si.shimano.com>.
- For consumers who do not have easy access to the internet, please contact a SHIMANO distributor or any of the SHIMANO offices to obtain a hardcopy of the User's Manual.
- Please observe the appropriate rules and regulations of the country, state or region in which you conduct your business as a dealer.

For safety, be sure to read this dealer's manual thoroughly before use, and follow it for correct use.

The following instructions must be observed at all times in order to prevent personal injury and physical damage to equipment and surroundings. The instructions are classified according to the degree of danger or damage which may occur if the product is used incorrectly.

 **DANGER**

Failure to follow the instructions will result in death or serious injury.

 **WARNING**


Failure to follow the instructions could result in death or serious injury.

 **CAUTION**

Failure to follow the instructions could cause personal injury or physical damage to equipment and surroundings.

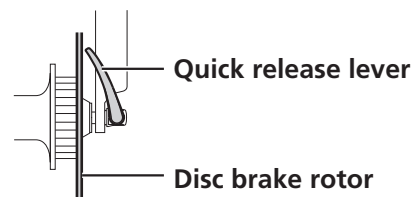
TO ENSURE SAFETY

WARNING

- **Be sure to follow the instructions provided in the manuals when installing the product.**
Only use SHIMANO genuine parts. If a component or replacement part is incorrectly assembled or adjusted, it can lead to component failure and cause the rider to lose control and crash.
-  Wear approved eye protection while performing maintenance tasks such as replacing components.

Be sure to also inform users of the following:

- **Before riding the bicycle, check that the wheels are secured. If the wheels are loose in any way, they may come off the bicycle and cause serious injury.**
- If the quick release lever is on the same side as the disc brake rotor, confirm that it does not interfere with the disc brake rotor. Otherwise, the bicycle may fall forward, and serious injury may result.
If the quick release lever interferes with the disc brake rotor, stop use and contact the place of purchase or a distributor.



- Make sure that the disc brake rotor has cooled down before operating the quick release lever. Failure to follow these instructions may result in burns or injury.
- Make sure to properly install the quick release hub onto the bicycle. Otherwise the wheel may detach from the bicycle while riding, resulting in serious injury.
- Make sure to read the manual for the quick release lever.

For installation to the bicycle, and maintenance:

- When installing the front wheel to the front suspension fork, always be sure to follow the directions given in the manual for the front suspension fork. The securing method and tightening torque for the front wheel both vary depending on the type of front suspension fork being used. If the instructions are not followed, the front wheel may fall out of the front fork and serious injury may occur. When the front wheel is tightened onto the front suspension fork in accordance with the tightening torque in the manual, the front wheel's rotation may become stiff; however, the instructions must always be followed.

Quick release type

- Use a front fork which is equipped with a wheel retention mechanism.

NOTICE

Be sure to also inform users of the following:

- This product is not warranted against damage resulting from improper use, such as jumping while riding or if the bicycle falls over, except if such malfunctions are caused by manufacturing methods.
- Products are not guaranteed against natural wear and deterioration from normal use and aging.
- For maximum performance we highly recommend Shimano lubricants and maintenance products.

For Installation to the Bicycle, and Maintenance:








- If the wheel becomes stiff and difficult to turn, perform an inspection.
- Do not lubricate the internal parts of the hub. Otherwise, grease will flow out.

The actual product may differ from the illustration because this manual is intended mainly to explain the procedures for using the product.

LIST OF TOOLS TO BE USED

LIST OF TOOLS TO BE USED

The following tools are needed for installation, adjustment, and maintenance purposes.

Tool		Tool		Tool	
	10 mm hexagon wrench		TL-LR15		TL-HS37
	12 mm hexagon wrench		TL-HS33		
	Adjustable wrench		TL-HS35		

INSTALLATION

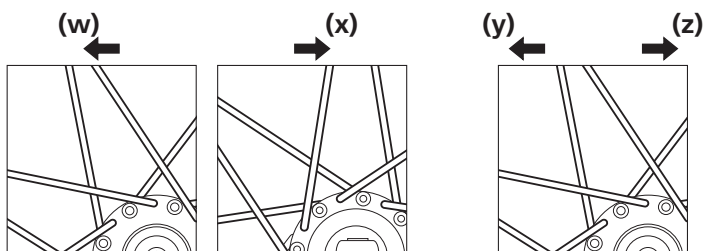
INSTALLATION

■ Spoke lacing

Check that the spokes have been laced as shown in the illustration.

A radial lacing cannot be used.

Rotating direction of wheel



(w) For front: Left (disc brake rotor) side

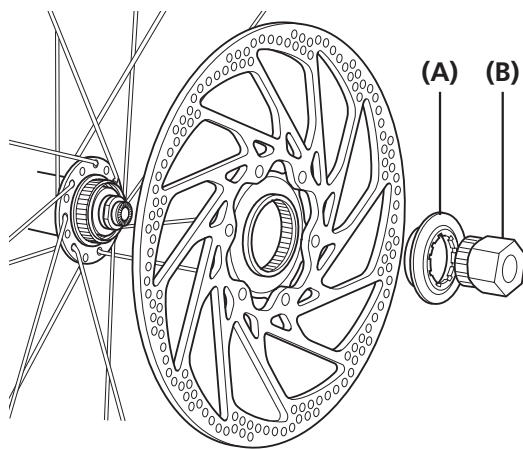
(x) For front: Right side

(y) For rear: Left (disc brake rotor) side

(z) For rear: Right (sprocket) side

■ Installation of the disc brake rotor

Quick release type



(A) Disc brake rotor fixing lock ring

(B) TL-LR15

Tightening torque



40 N·m

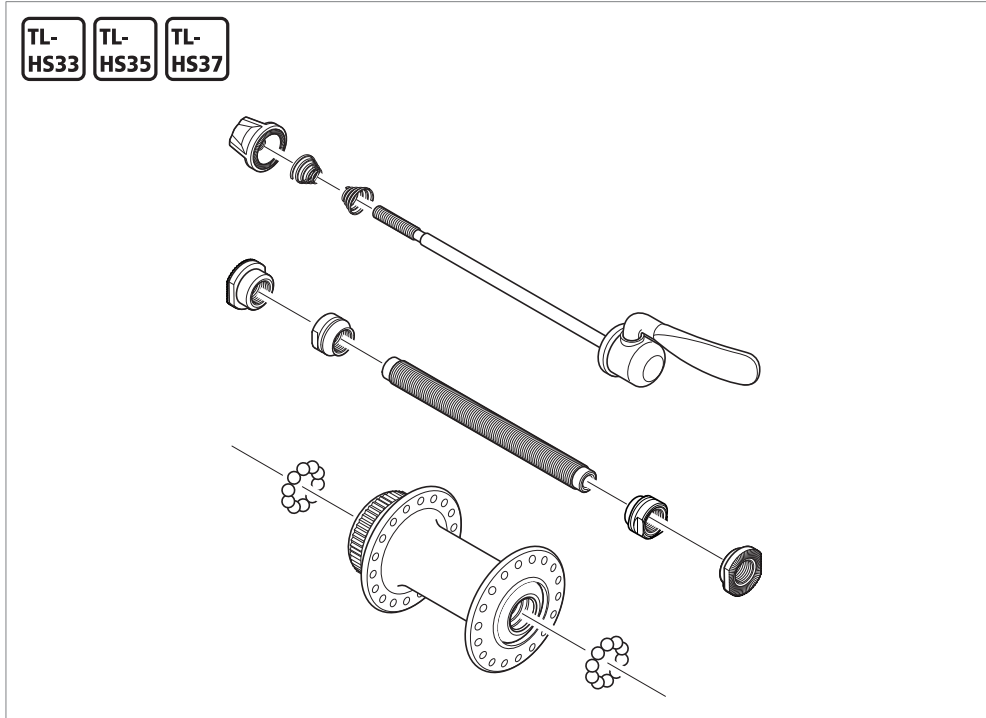
MAINTENANCE

MAINTENANCE

■ Front hub

The front hub can be disassembled as shown in the illustration. Apply grease to the various parts at periodic intervals. (The shape of the part varies depending on the product.)

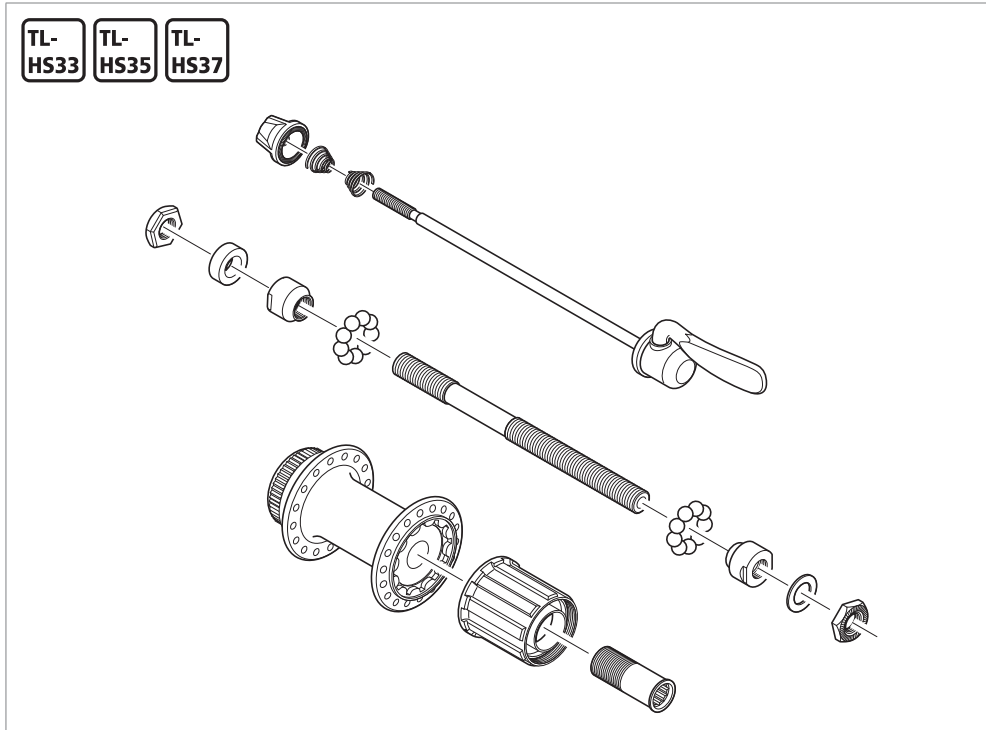
HB-M3050 / MT200 / RM33 / TX505



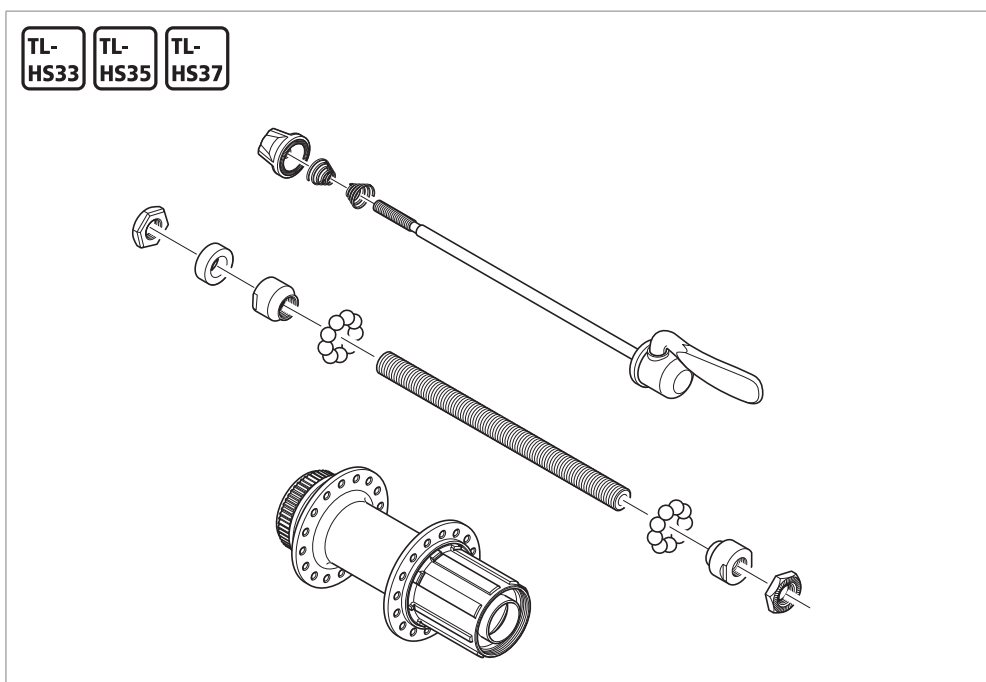
Freehub

The freehub can be disassembled as shown in the illustration. Apply grease to the various parts at periodic intervals. (The shape of the part varies depending on the product.)

FH-M3050 / RM33 / RM35 / UR600



FH-MT200-B / TX505 / TY505



NOTICE

Do not attempt to disassemble the freewheel body, because it may result in a malfunction.

Replacement of the freewheel body

FH-M3050 / RM33 / RM35 / UR600

10

After removing the hub axle, remove the freewheel body fixing screw (inside the freewheel body), and then replace the freewheel body.

- (y) Disassembly
- (z) Assembly

- (A) Freewheel body
- (B) Freewheel body fixing screw
- (C) 10 mm hexagon wrench

Tightening torque	
10	35 - 50 N·m

FH-MT200 / TX505 / TY505

After removing the hub axle, replace the freewheel body.

12

- (y) Disassembly
- (z) Assembly

- (A) Freewheel body
- (B) 12 mm hexagon wrench

Tightening torque	
12	147 - 200 N·m

SHIMANO

SHIMANO NORTH AMERICA BICYCLE, INC.

One Holland, Irvine, California 92618, U.S.A. Phone: +1-949-951-5003

SHIMANO EUROPE B.V.

High Tech Campus 92, 5656 AG Eindhoven, The Netherlands Phone: +31-402-612222

SHIMANO INC.

3-77 Oimatsu-cho, Sakai-ku, Sakai City, Osaka 590-8577, Japan

Please note: specifications are subject to change for improvement without notice. (English)

© Oct. 2020 by SHIMANO INC. ITP