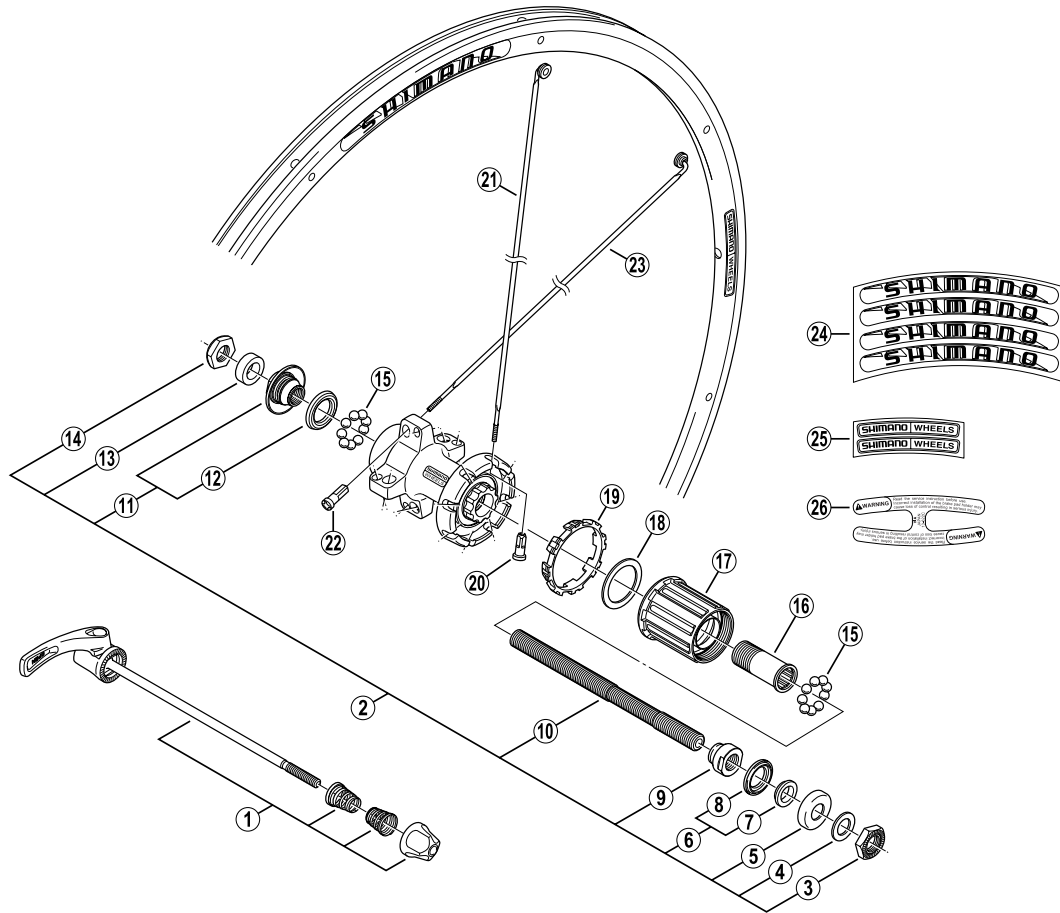


# Rear Wheel

## WH-R540-R 8/9-Speed



ITEM NO.	SHIMANO CODE NO.	DESCRIPTION
* 1	Y-3AV 90130	Complete Quick Release 163 mm (6-13/32")
	Y-4B2 98100	Complete Quick Release 168 mm (6-5/8")
* 2	Y-4B2 98110	Complete Hub Axle 141 mm (5-9/16")
3	Y-220 05011	Right Hand Serated Lock Nut 4.5 mm
4	Y-301 08100	Right Hand Washer 1.2 mm
5	Y-3A0 05100	Right Hand Dust Cap
6	Y-32X 98020	Right Hand Axle Spacer & Seal Ring
7	Y-31V 03000	Right Hand Axle Spacer 3.7 mm
8	Y-214 06000	Right Hand Seal Ring
* 9	Y-3BH02100	Right Hand Cone M10 x 12.7 mm
10	Y-30K 01100	Hub Axle 141 mm (5-9/16")
* 11	Y-4B2 98120	Left Hand Cone (M10 x 16 mm) w/Dust Cover & Seal Ring
12	Y-377 10000	Left Hand Seal Ring
13	Y-224 06010	Left Hand Axle Spacer 5.5 mm
14	Y-220 05031	Left Hand Serated Lock Nut 4 mm
15	Y-000 91310	Steel Ball (1/4") 18 pcs.
16	Y-359 04000	Body Fixing Bolt
* 17	Y-4BE 98080	Complete Freewheel Body w/Right Hand Dust Cap
18	Y-375 04000	Freewheel Body Washer
19	Y-4AM05000	Hub Body Cap
* 20	Y-012 Z4200	Right Hand Nipple (15 mm)
	Y-4B2 98050	Right Hand Spoke (278 mm) w/Washer
* 21	Y-4B2 98080	Right Hand Spoke (254 mm) for 650C w/Washer
22	Y-4A0 03000	Left Hand Nipple (15 mm)
	Y-4B2 98060	Left Hand Spoke (294 mm) w/Washer
* 23	Y-4B2 98090	Left Hand Spoke (268 mm) for 650C w/Washer
24	Y-4B2 98040	Rim Sticker A / 1 sheet (4 pcs.)
25	Y-4AM98060	Rim Sticker C / 1 sheet (2 pcs.)
	Y-4A0 17000	Warning Sticker
* 26	Y-4A0 17200	Warning Sticker for 650C
*	Y-4A0 17100	Warning Sticker for Tubular

Over Lock Nut Dimension: 130 mm (5-1/8")

0407-2124A

Specifications are subject to change without notice.

# SHIMANO