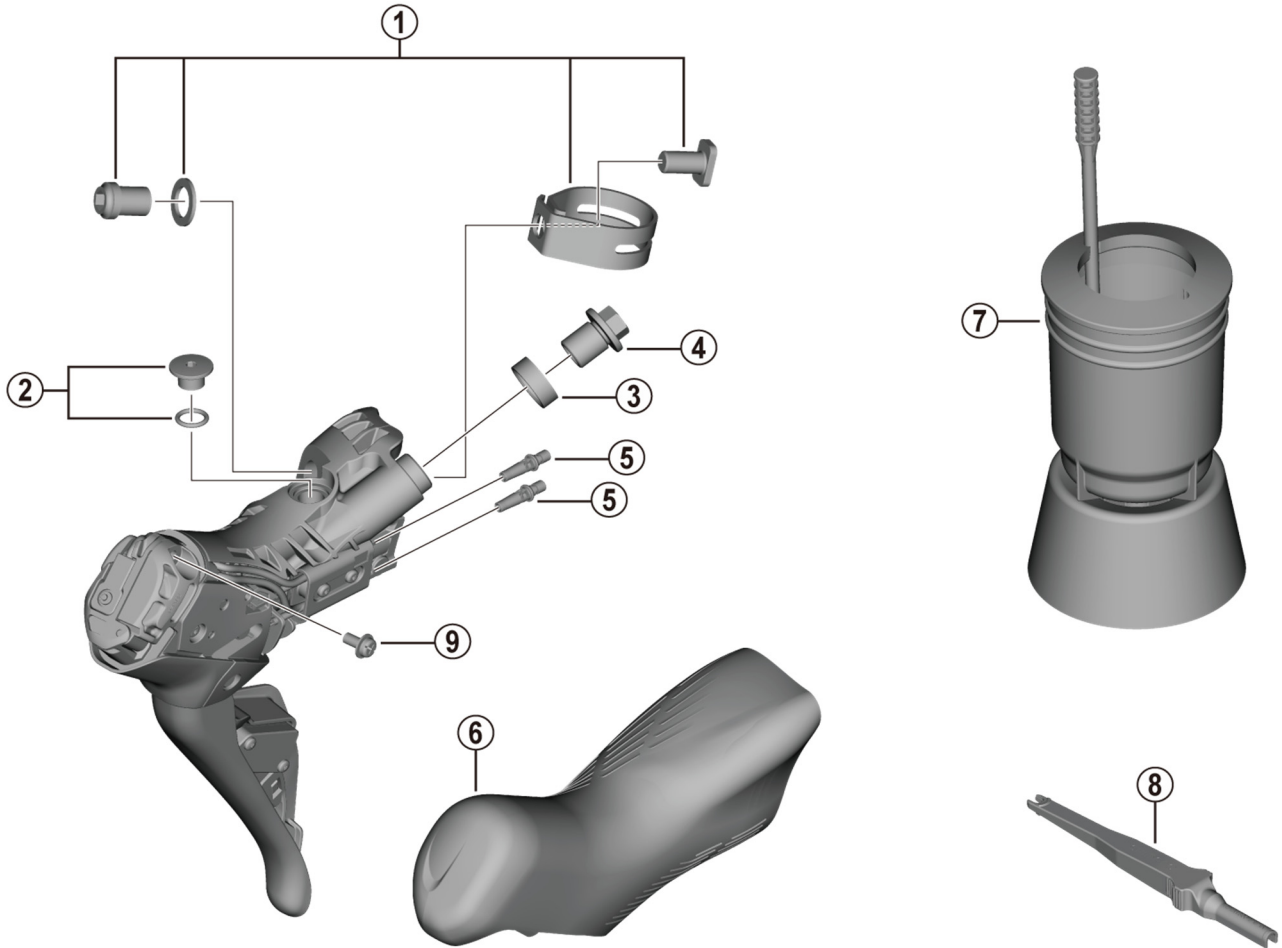


ULTEGRA Dual Control Lever (For Disc Brake)

# ST-R8170 (2x12-speed)



ITEM NO.	SHIMANO CODE NO.	DESCRIPTION
1	Y0E098030	Clamp band unit diameter (23.8 - 24.2 mm)
2	Y0MX98020	Bleed screw and O-ring
3	Y0C514000	Joint support ring
4	Y8RD02000	Flange flare nut (M9/Black)
5	Y7HE30000	Dummy plug
6	Y0NS98010	Bracket covers (pair)
7	Y13000090	TL-BR002 Funnel unit for M7 screw
8	Y7HE40000	TL-EW300 Plug tool
9	Y0MX40000	Battery case screw

Sep.-2021-4866

© Shimano Inc. I

Specifications are subject to change without notice.

# SHIMANO



quefairedemesdechets.fr