



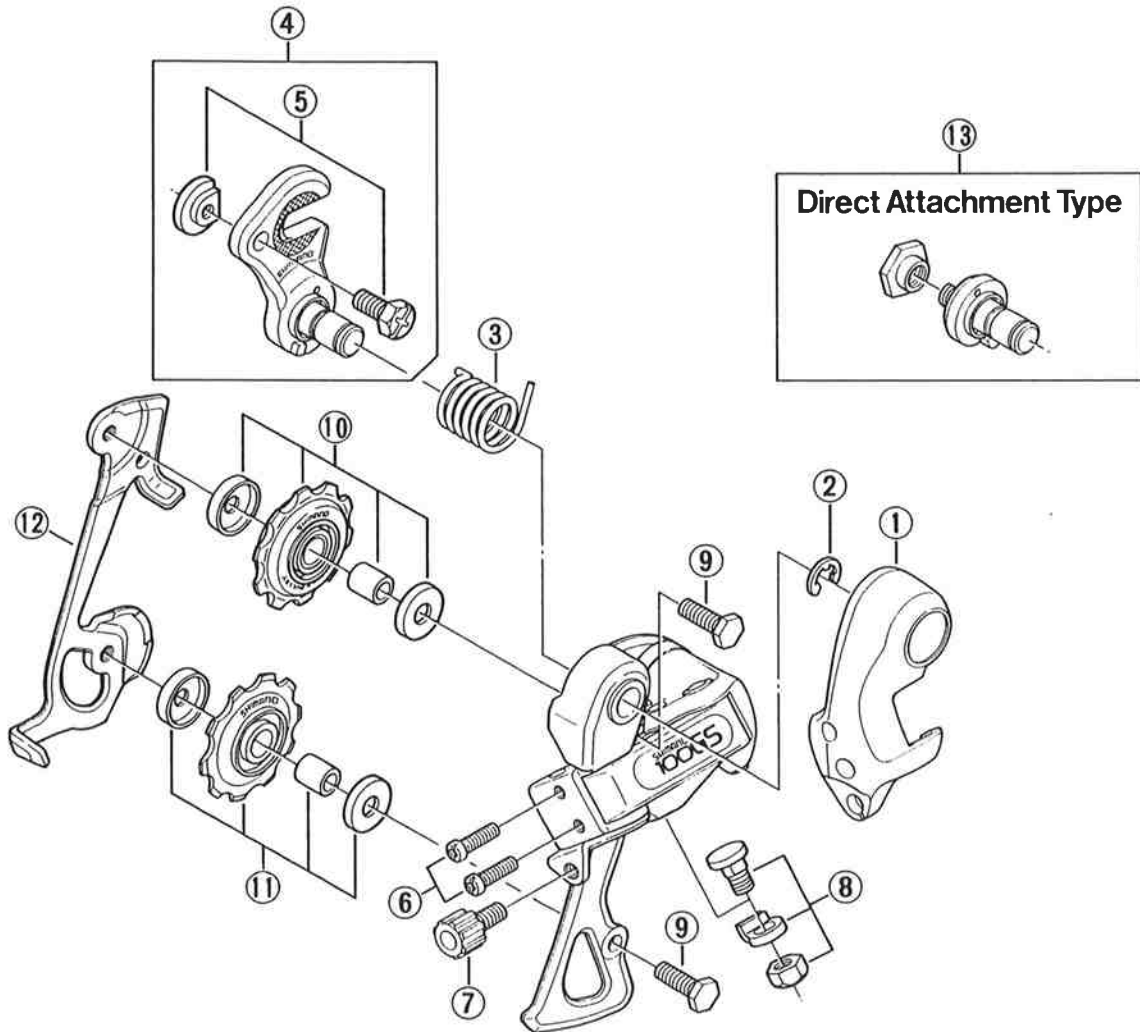
SHIMANO (EUROPA) GmbH.
Kleinhüsen 1-3 4010 Hilden,
West Germany Tel. 02103-5005-0

SHIMANO AMERICAN CORPORATION
One Shimano Drive, P.O. Box 19615, Irvine,
California U.S.A. 92718 Tel. (714) 951-5003

Small parts list for after market.

- You may photocopy this sheet and use it as an order form.
- Sie können dieses Blatt kopieren und als Bestellformular verwenden.
- Vous pouvez photocopier cette feuille et l'utiliser comme bon de commande.
- Dit blad kan gecopieerd en als bestelformulier gebruikt worden.
- Potete fotocopiare questo foglio e usarlo come modulo di commissione.

RD-M100-GS Rear Derailleur SHIMANO 100GS / Long Cage



Q'TY	ITEM NO.	PART NO.	DESCRIPTION
	1	52M 9801	Bracket Body Cover
	2	521 3001	Stop Ring (ø6mm)
	3	52M 1300	B-Tension Spring
	4	52M 9803	Bracket Unit
	5	525 9801	Bracket Screw (M5x11.5) & Nut
	6	517 9802	Stroke Adjusting Screws (M4x14.5) 2pcs.
	7	52M 2100	Cable Adjusting Barrel
	8	51G 9805	Cable Fixing Bolt Unit
	9	524 7200	Pulley Bolt
	10	563 9837	Guide Pulley Unit
	11	563 9839	Tension Pulley Unit
	12	511 0402	Inner Plate
	13	52M 9802	Bracket Axle Unit for Direct Attachment Type