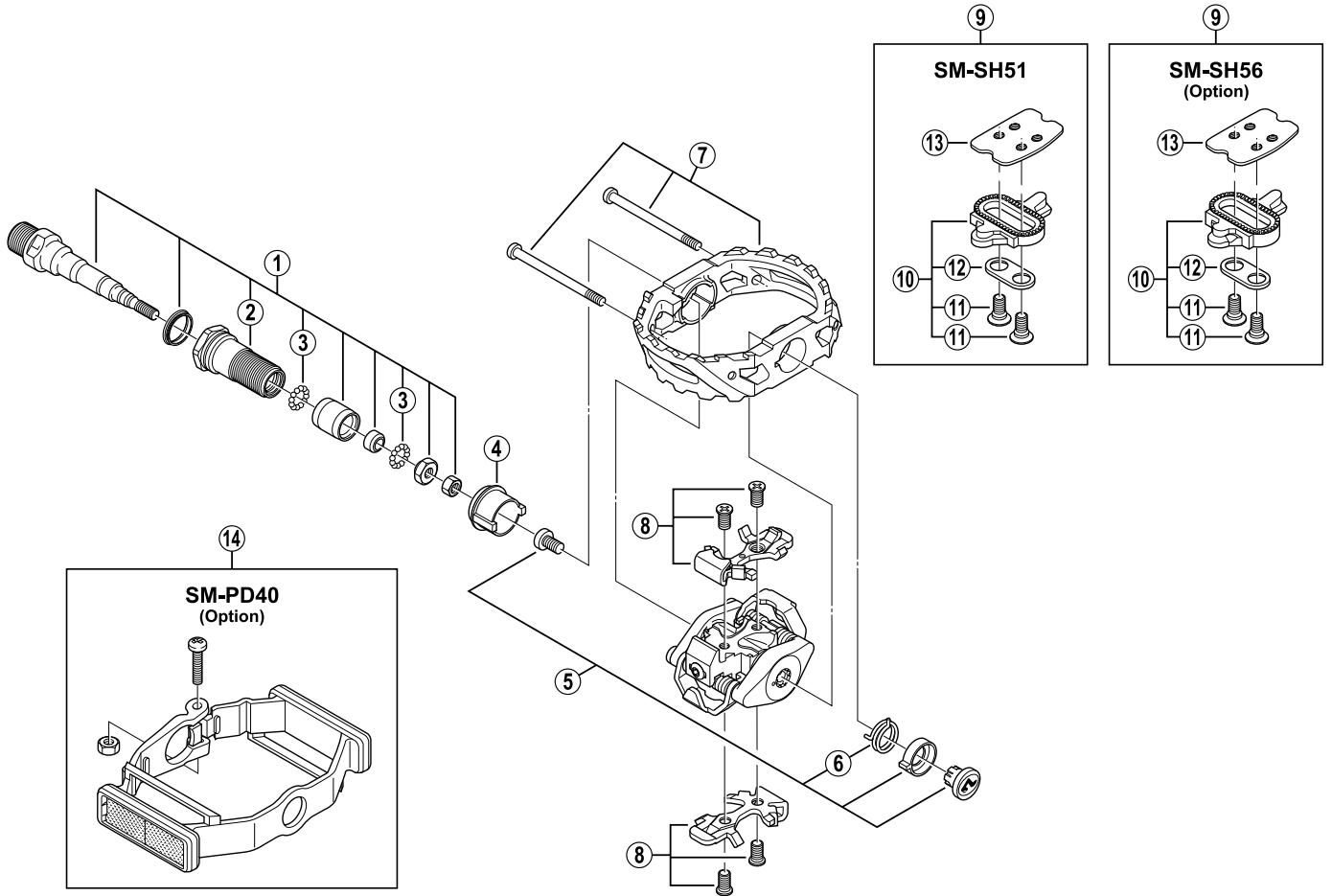


SPD Pedals PD-M545



| ITEM NO. | SHIMANO CODE NO. | DESCRIPTION |
|----------|------------------|--|
| * 1 | Y-41F 98060 | Pedal Axle Assembly (Right / B.C.9/16" x 20T.P.I) |
| * 1 | Y-41F 98070 | Pedal Axle Assembly (Left / B.C.9/16" x 20T.P.I) |
| * 2 | Y-41F 98080 | Lock Bolt (Right) |
| * 2 | Y-41F 98090 | Lock Bolt (Left) |
| * 3 | Y-41N 98030 | Steel Ball (3/32") 62 pcs. |
| * 4 | Y-41F 11300 | Sleeve |
| 5 | Y-41F 98010 | Cap Unit (Right) |
| 5 | Y-41F 98020 | Cap Unit (Left) |
| 6 | Y-41F 05000 | Cage Spring (Right) |
| 6 | Y-41F 06000 | Cage Spring (Left) |
| 7 | Y-41F 98040 | Cage (Right) & Bolts |
| 7 | Y-41F 98050 | Cage (Left) & Bolts |
| 8 | Y-41C 98011 | Body Plate & Fixing Screws (M5) |
| * 9 | Y-424 98200 | SM-SH51 Cleat Set (Single Release Mode / Pair) |
| * 9 | Y-41S 98090 | SM-SH56 Cleat Set (Multiple Release Mode / Pair) |
| * 10 | Y-424 98201 | SM-SH51 Cleat Set w/o Cleat Nut (Single Release Mode / Pair) |
| * 10 | Y-41S 98100 | SM-SH56 Cleat Set w/o Cleat Nut (Multiple Release Mode / Pair) |
| * 11 | Y-417 04030 | Cleat Fixing Bolt (1 pc.) |
| * 12 | Y-424 23000 | Cleat Adapter (1 pc.) |
| * 13 | Y-40N 01000 | Cleat Nut (1 pc.) |
| 14 | Y-41J 98010 | SM-PD40 Reflector Unit (Pair) |

0407-1752B

Specifications are subject to change without notice.

SHIMANO