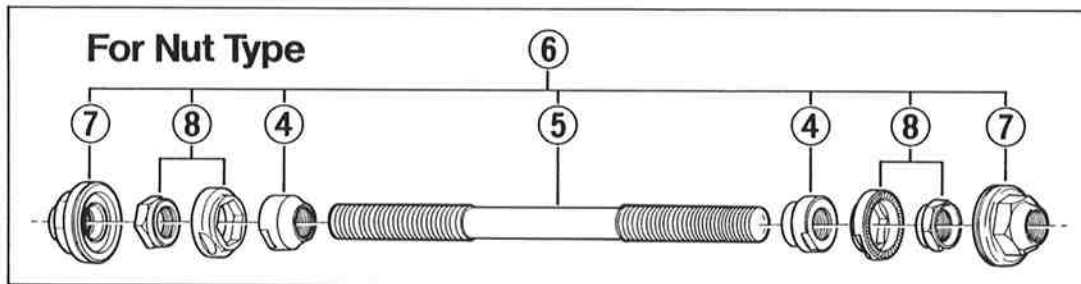
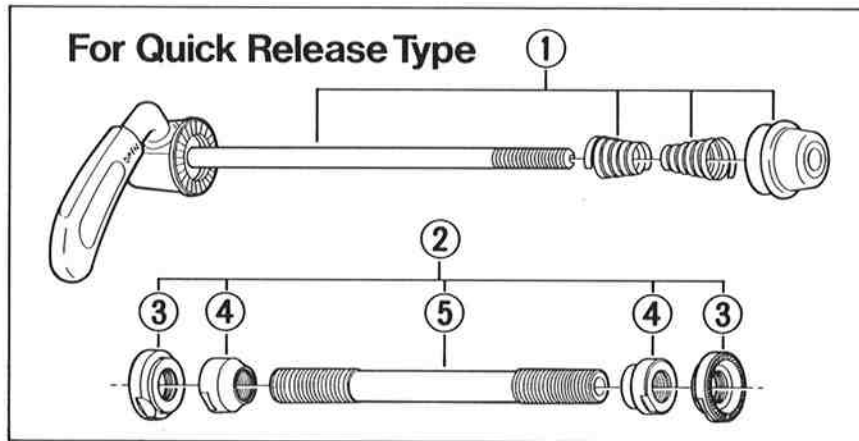
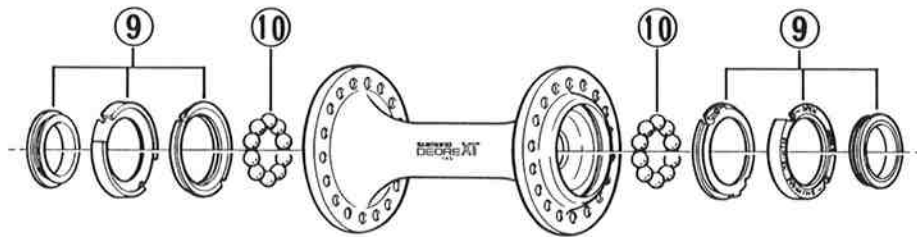


HB-M730-FQR Front Hub DEORE XT/Quick Release Type

HB-M730-FNT Front Hub DEORE XT/Nut Type

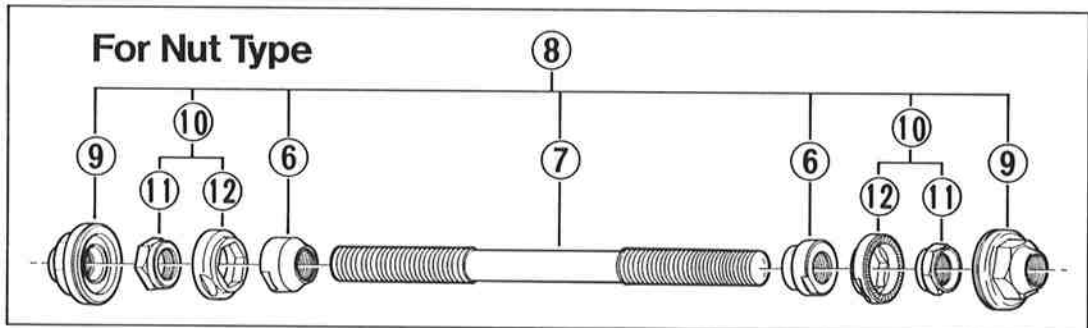
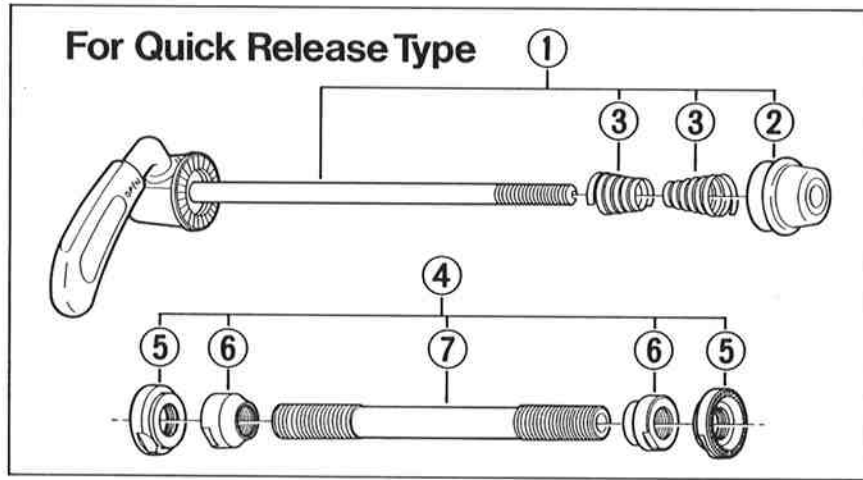
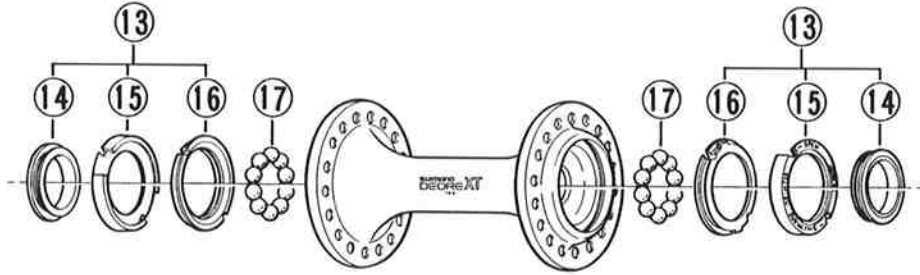


Over Lock Nut Dimensions: Quick Release Type / Nut Type...100mm(3-15/16")

ITEM NO.	PART NO.	DESCRIPTION	Q'TY
1	336 9801	Complete Quick Release 129mm(5-3/32")	
2	336 9802	Complete Hub Axle 108mm(4-1/4") for Quick Release Type	
3	336 0700	Lock Nut	
4	336 0600	Cone M9x9.6mm	
5	216 0700-9	Hub Axle 108mm(4-1/4") for Quick Release Type	
	337 0100	Hub Axle 142mm(5-19/32") for Nut Type	
6	337 9801	Complete Hub Axle 142mm(5-19/32") for Nut Type	
7	337 9010	Hub Nut	
8	337 9802	Sleeve Lock Nut & Spacer	
9	336 9803	Dust Cap Unit	
10	—	Steel Ball (3/16") 10pcs.	

- You may photocopy this sheet and use it as an order form.
- Sie können dieses Blatt kopieren und als Bestellformular verwenden.
- Vous pouvez photocopier cette feuille et l'utiliser comme bon de commande.
- Dit blad kan gecopieerd en als bestelformulier gebruikt worden.
- Potete fotocopiare questo foglio e usarlo come modulo di commissione.

HB-M730-FQR Front Hub DEORE XT/Quick Release Type
HB-M730-FNT Front Hub DEORE XT/Nut Type



Over Lock Nut Dimensions: Quick Release Type / Nut Type...100mm

ITEM NO.	PART NO.	DESCRIPTION	Q'TY
1	3-336 9801	Complete Quick Release 129mm	
2	3-375 9061	Nut for Skewer	
3	231 1100	Volute Spring	
4	3-336 9802	Complete Hub Axle 108mm for Quick Release Type	
5	336 0700	Lock Nut	
6	336 0600	Cone M9x9.6mm	
7	216 0700-9	Hub Axle 108mm for Quick Release Type	
	337 0100	Hub Axle 142mm for Nut Type	
8	3-337 9801	Complete Hub Axle 142mm for Nut Type	
9	3-337 9010	Hub Nut	
10	3-337 9802	Sleeve Lock Nut & Spacer	
11	337 0300	Sleeve Lock Nut	
12	337 0200	Spacer for Sleeve Lock Nut	
13	3-336 9803	Dust Cap Unit	
14	336 0500	Seal Ring	
15	336 0400	Dust Cap 2	
16	336 0300	Dust Cap 1	
17	000 0121	Steel Ball (3/16")	