

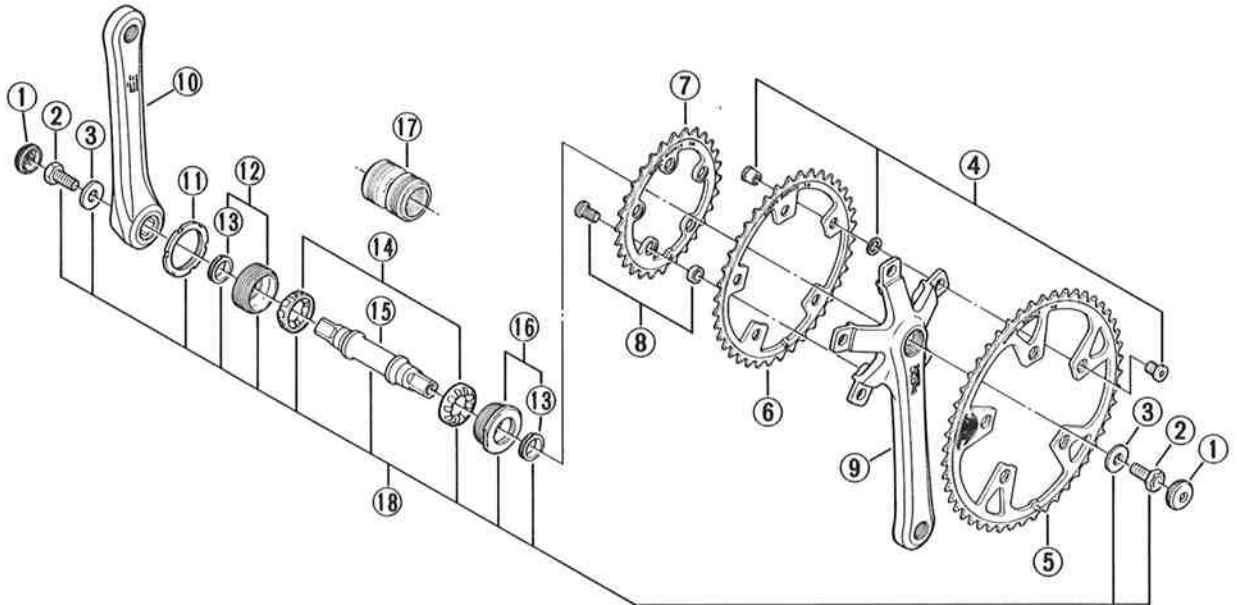


**SHIMANO AMERICAN CORPORATION**  
 One Shimano Drive, Irvine, California  
 U.S.A. 92718 Tel. (714) 951-5003

You may photocopy this sheet and use it as an order form.

**FC-MT60**  
**BB-MT60**

Front Chainwheel w/ BIOPACE Chaining  
 DEORE  
 Bottom Bracket Assembly  
 DEORE



● Bolt circle diameter: 110mm...(For Large Gear & Middle Gear), 74mm...(For Small Gear)

ITEM NO.	PART NO.	DESCRIPTION	Q'TY	
1	172 2000	Crank Arm Cap		
2	134 0300	Crank Arm Fixing Bolt		
3	134 0400	Crank Arm Fixing Washer		
4	172 9801	Chaining Fixing Bolt Unit (5sets)		
5	147 4600	Chainring 46T / BIOPACE II		
	147 4601	Chainring 46T / BIOPACE II (GMG-Color)		
	147 4602	Chainring 46T / BIOPACE II (Black)		
	147 4800	Chainring 48T		
	147 4801	Chainring 48T (GMG-Color)		
	147 4802	Chainring 48T (Black)		
	147 5000	Chainring 50T		
	147 5001	Chainring 50T (GMG-Color)		
	6	147 3600	Chainring 36T / BIOPACE II	
		147 3601	Chainring 36T / BIOPACE II (GMG-Color)	
147 3602		Chainring 36T / BIOPACE II (Black)		
147 3800		Chainring 38T		
147 3801		Chainring 38T (GMG-Color)		
147 3802		Chainring 38T (Black)		
147 4400		Chainring 44T		
7	147 2600	Chainring 26T / BIOPACE II		
	147 2601	Chainring 26T / BIOPACE II (GMG-Color)		
	147 2602	Chainring 26T / BIOPACE II (Black)		
	147 2800	Chainring 28T		
	147 2801	Chainring 28T (GMG-Color)		
8	172 9802	Triple Gear Fixing Bolt & Spacer (5sets)		
	17A 0200	Right Crank Arm 170mm		
	17A 0300	Right Crank Arm 175mm		
10	17B 0200	Left Crank Arm 170mm		
	17B 0300	Left Crank Arm 175mm		
11	178 0530	Lock Ring (1.37"x24T) English Thread		
	178 0520	Lock Ring (35xP1) French Thread		
	178 0510	Lock Ring (36x24T) Italian Thread		
12	19B 9801	Left Hand Adjustable Cup (1.37"x24T) English Thread & Seal Ring		
	19B 9802	Left Hand Adjustable Cup (35xP1) French Thread & Seal Ring		
	19B 9803	Left Hand Adjustable Cup (36x24T) Italian Thread & Seal Ring		
13	19B 0500	Seal Ring		
14	188 9802	Ball Retainer (1/4") 2pcs.		
15	148 0162	Spindle (D-3A) 117.5mm for Shell Width 68mm		
	148 0172	Spindle (D-5A) 117.5mm for Shell Width 70mm		
	148 0182	Spindle (D-3NL) 122.5mm for Shell Width 68mm		
	148 0192	Spindle (D-5NL) 122.5mm for Shell Width 70mm		
16	19B 9804	Right Hand Fixed Cup (1.37"x24T) English Thread & Seal Ring		
	19B 9805	Right Hand Fixed Cup (35xP1) French Thread & Seal Ring		
	19B 9806	Right Hand Fixed Cup (36x24T) Italian Thread & Seal Ring		
17	179 2100	Dust Seal (Option)		
18	19E 1100056	Bottom Bracket Assembly (D-3A...68-117.5 / 1.37"x24T)		
	19E 5100056	Bottom Bracket Assembly (D-3NL...68-122.5 / 1.37"x24T)		

発行 62 10 12



**SHIMANO (EUROPA) GmbH.**  
Im Hülsenfeld 13 4010 Hilden,  
West Germany Tel. 02103-5005-0

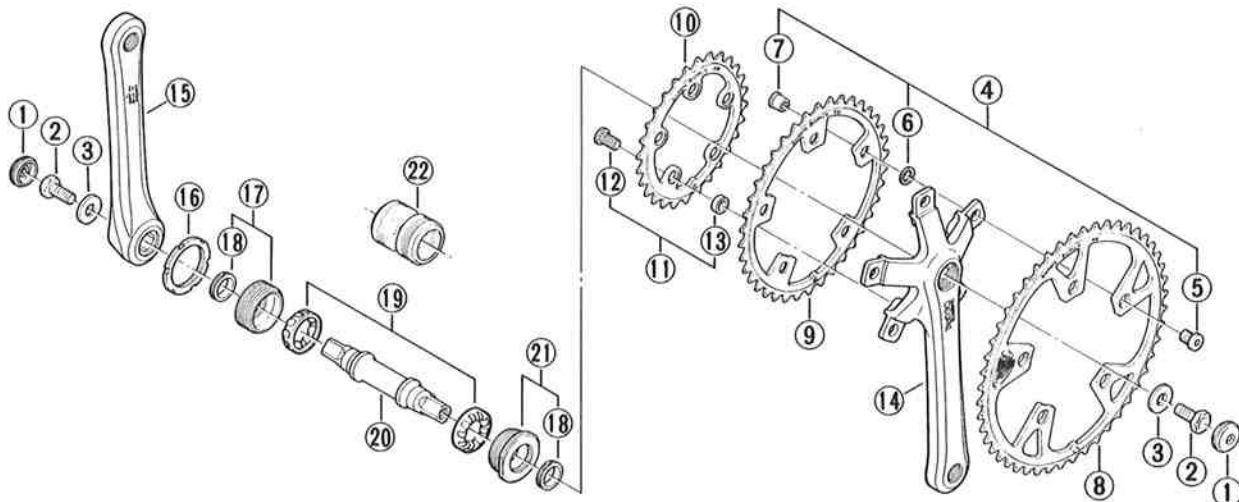
- You may photocopy this sheet and use it as an order form.
- Sie können dieses Blatt kopieren und als Bestellformular verwenden.
- Vous pouvez photocopier cette feuille et l'utiliser comme bon de commande.
- Dit blad kan gecopieerd en als bestelformulier gebruikt worden.
- Potete fotocopiare questo foglio e usarlo come modulo di commissione.

## FC-MT60

Front Chainwheel w/BIOPACE Chainring  
DEORE

## BB-MT60

Bottom Bracket Assembly  
DEORE



- Bolt circle diameter: 110mm...(For Large Gear & Middle Gear), 74mm...(For Small Gear)

ITEM NO.	PART NO.	DESCRIPTION	Q'TY
1	172 2000	Crank Arm Cap	
2	134 0300	Crank Arm Fixing Bolt	
3	134 0400	Crank Arm Fixing Washer	
4	3-172 9801	Chainring Fixing Bolt Unit (5sets)	
5	132 0502	Chainring Fixing Bolt	
6	172 2110	Spacer for Middle Gear	
7	132 0600	Chainring Fixing Nut	
8	147 4600	Chainring 46T / BIOPACE II	
	147 4601	Chainring 46T / BIOPACE II (GMG-Color)	
	147 4602	Chainring 46T / BIOPACE II (Black)	
	147 4800	Chainring 48T	
	147 4801	Chainring 48T (GMG-Color)	
	147 4802	Chainring 48T (Black)	
9	147 5000	Chainring 50T	
	147 5001	Chainring 50T (GMG-Color)	
	147 3600	Chainring 36T / BIOPACE II	
	147 3601	Chainring 36T / BIOPACE II (GMG-Color)	
	147 3602	Chainring 36T / BIOPACE II (Black)	
	147 3800	Chainring 38T	
10	147 3801	Chainring 38T (GMG-Color)	
	147 3802	Chainring 38T (Black)	
	147 4400	Chainring 44T	
	147 4401	Chainring 44T (GMG-Color)	
	147 2600	Chainring 26T / BIOPACE II	
	147 2601	Chainring 26T / BIOPACE II (GMG-Color)	
11	147 2602	Chainring 26T / BIOPACE II (Black)	
	147 2800	Chainring 28T	
	147 2801	Chainring 28T (GMG-Color)	
	147 2802	Chainring 28T (Black)	
12	3-172 9802	Triple Gear Fixing Bolt & Spacer (5sets)	
13	132 0503	Triple Gear Fixing Bolt	
14	172 2200	Spacer for Triple Gear	
15	17A 0200	Right Crank Arm 170mm	
	17A 0300	Right Crank Arm 175mm	
16	17B 0200	Left Crank Arm 170mm	
	17B 0300	Left Crank Arm 175mm	
17	178 0530	Lock Ring (1.37"x24T) English Thread	
	178 0520	Lock Ring (35xP1) French Thread	
	178 0510	Lock Ring (36x24T) Italian Thread	
18	3-19B 9801	Left Hand Adjustable Cup (1.37"x24T) English Thread & Seal Ring	
	3-19B 9802	Left Hand Adjustable Cup (35xP1) French Thread & Seal Ring	
	3-19B 9803	Left Hand Adjustable Cup (36x24T) Italian Thread & Seal Ring	
19	19B 0500	Seal Ring	
20	3-188 9802	Ball Retainer (1/4") 2pcs.	
	148 0162	Spindle (D-3A) 117.5mm for Shell Width 68mm	
	148 0172	Spindle (D-5A) 117.5mm for Shell Width 70mm	
	148 0182	Spindle (D-3NL) 122.5mm for Shell Width 68mm	
	148 0192	Spindle (D-5NL) 122.5mm for Shell Width 70mm	
21	3-19B 9804	Right Hand Fixed Cup (1.37"x24T) English Thread & Seal Ring	
	3-19B 9805	Right Hand Fixed Cup (35xP1) French Thread & Seal Ring	
	3-19B 9806	Right Hand Fixed Cup (36x24T) Italian Thread & Seal Ring	
22	179 2100	Dust Seal (Option)	