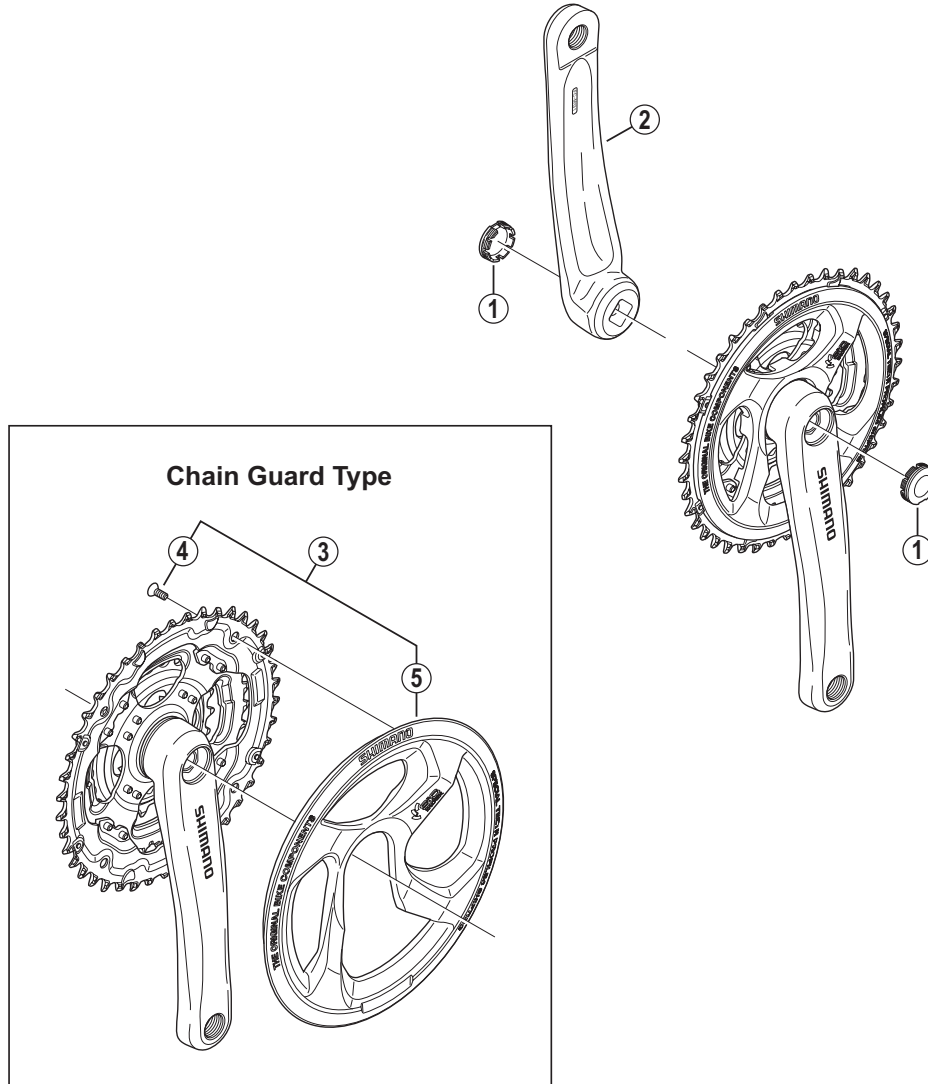


# Front Chainwheel FC-M131



• Chaining teeth combinations: 42-34-24T / 48-38-28T

ITEM NO.	SHIMANO CODE NO.	DESCRIPTION	INTERCHANGEABILITY
1	Y1LY13000	Crank Arm Cap	A
* 2	Y1LY98010	Left Hand Crank Arm 170 mm (Silver)	
	Y1LY98020	Left Hand Crank Arm 170 mm (Black)	
* 3	Y1LY98030	42T Chain Guard & Fixing Screws	
	Y1LY98040	48T Chain Guard & Fixing Screws	
4	Y1D298010	Chain Guard Fixing Screw (4 pcs.)	
5	Y1LY12000	42T Chain Guard	
	Y1LY16000	48T Chain Guard	

A: Same parts.

B: Parts are usable, but differ in materials, appearance, finish, size, etc.  
Absence of mark indicates non-interchangeability.

FC-M171

Mar.-2013-3035A  
© Shimano Inc. I

Specifications are subject to change without notice.

# SHIMANO