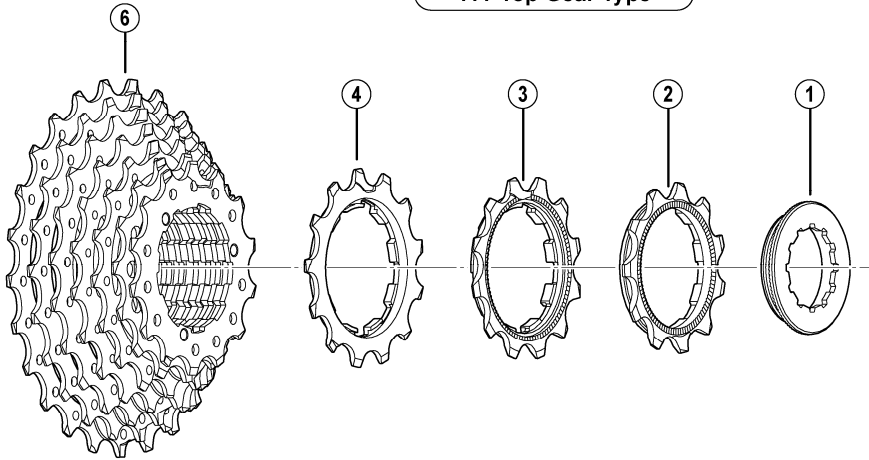
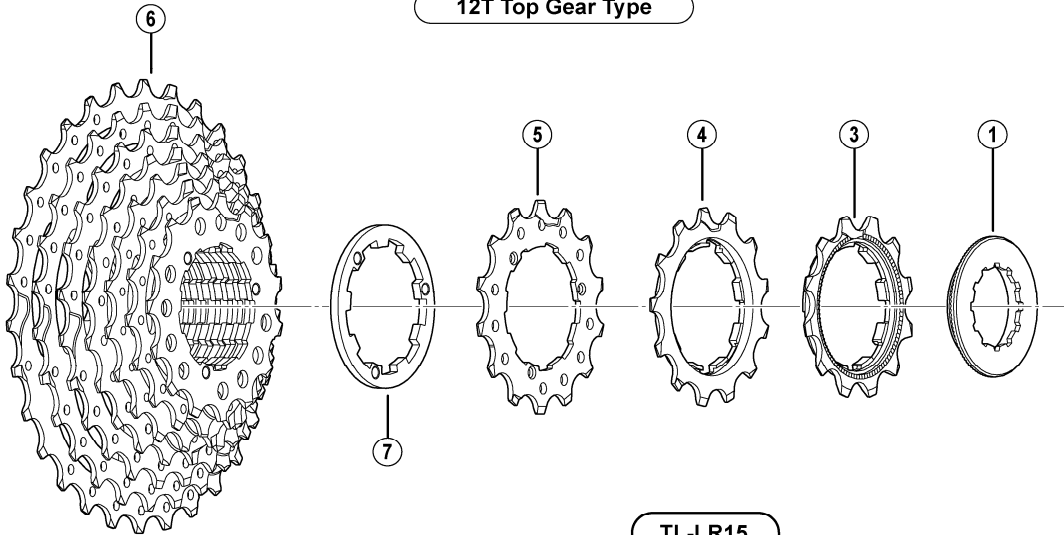


TIAGRA Cassette Sprocket
CS-4600 10-Speed

11T Top Gear Type

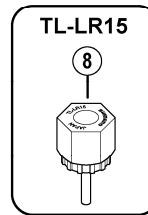


12T Top Gear Type



CS-4600 sprocket teeth combinations

11 - 25 T	11 - 12 - 13 - 14 - 15 - 17 - 19 - 21 - 23 - 25 T
12 - 28 T	12 - 13 - 14 - 15 - 17 - 19 - 21 - 23 - 25 - 28 T
12 - 30 T	12 - 13 - 14 - 15 - 17 - 19 - 21 - 24 - 27 - 30 T



CS-5700

ITEM NO.	SHIMANO CODE NO.	DESCRIPTION	INTERCHANGEABILITY	
1	Y1YF01000	Lock Ring for 11T Top Gear		
	Y1YF02000	Lock Ring for 12T Top Gear		
2	Y1Z81100N	Sprocket Wheel 11T (Built in spacer type)	A	
3	Y1Z81200N	Sprocket Wheel 12T (Built in spacer type)	A	
4	Y1ZD1390N	Sprocket Wheel 13T (Built in spacer type)	A	
5	Y1YF14200	Sprocket Wheel 14T		
6	Y1YF98010	Sprocket Unit (14-15-17-19-21-23-25T) for 11-25T		
	Y1YF98020	Sprocket Unit (15-17-19-21-23-25-28T) for 12-28T		
	Y1YF98030	Sprocket Unit (15-17-19-21-24-27-30T) for 12-30T		
7	Y35765231	Sprocket Spacer (t=2.35 mm)	A	
8	Y12009230	Lock Ring Removal Tool (TL-LR15)	A	

A: Same parts.
 B: Parts are usable, but differ in materials, appearance, finish, size, etc.
 Absence of mark indicates non-interchangeability.

Feb.-2011-3143
 © Shimano Inc. A

Specifications are subject to change without notice.

SHIMANO