

SHIMANO

SHIMANO (EUROPA) GmbH.
Kleinhülsen 1-3 40724 Hilden, Germany
Tel. 02103-5005-0

SHIMANO AMERICAN CORPORATION
One Shimano Drive, P.O. Box 19615, Irvine,
California U.S.A. 92713-9615 Tel. (714) 951-5003

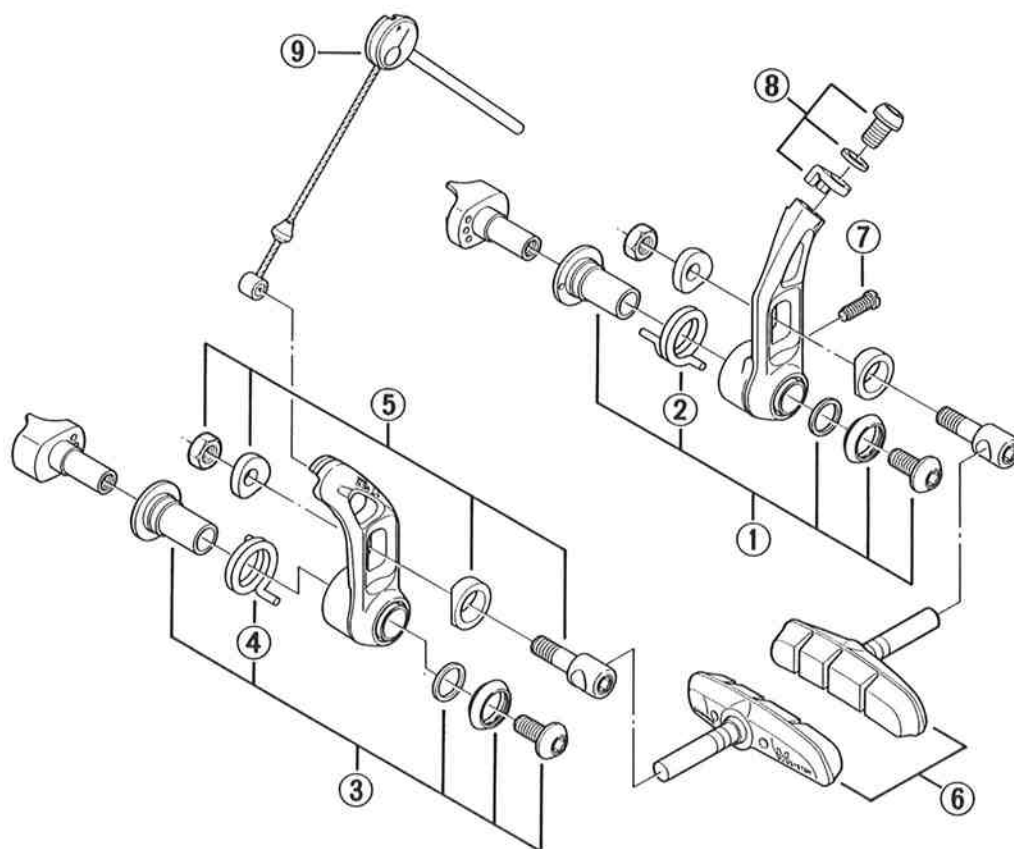
Small parts list for after market.

- You may photocopy this sheet and use it as an order form.
- Sie können dieses Blatt kopieren und als Bestellformular verwenden.
- Vous pouvez photocopier cette feuille et l'utiliser comme bon de commande.
- Dit blad kan gecopieerd en als bestelformulier gebruikt worden.
- Potete fotocopiare questo foglio e usarlo come modulo di commissione.

DEORE LX Cantilever Brake

BR-M560 M-Size

BR-M561 L-Size



Q'TY	ITEM NO.	PART NO.	DESCRIPTION
	1	82K 9801	Anchor Link Fixing Bolt Unit (M6 x 13.5)
	2	82N 1000	Return Spring (ø2.0mm / White) for Anchor Link
	3	82K 9802	Hooking Link Fixing Bolt Unit (M6 x 13.5)
	4	82N 1100	Return Spring (ø2.0mm / Yellow) for Hooking Link
	5	82K 9803	Brake Shoe Fixing Bolt Unit
	6	82K 9808	Brake Shoes (5 pairs)
	7	82N 0710-1	Adjusting Screw (M4 x 14.5) for Spring
	8	82K 9805	Wire Fixing Bolt Unit (M6 x 11.5)
	*	82N 9805	Y-Type Unit Link (S) for BR-M560
	*	82N 9806	Y-Type Unit Link (A) for BR-M560 / M561
	9	82N 9807	Y-Type Unit Link (B) for BR-M560 / M561
	*	82N 9808	Y-Type Unit Link (C) for BR-M560 / M561
	*	82N 9809	Y-Type Unit Link (D) for BR-M560 / M561