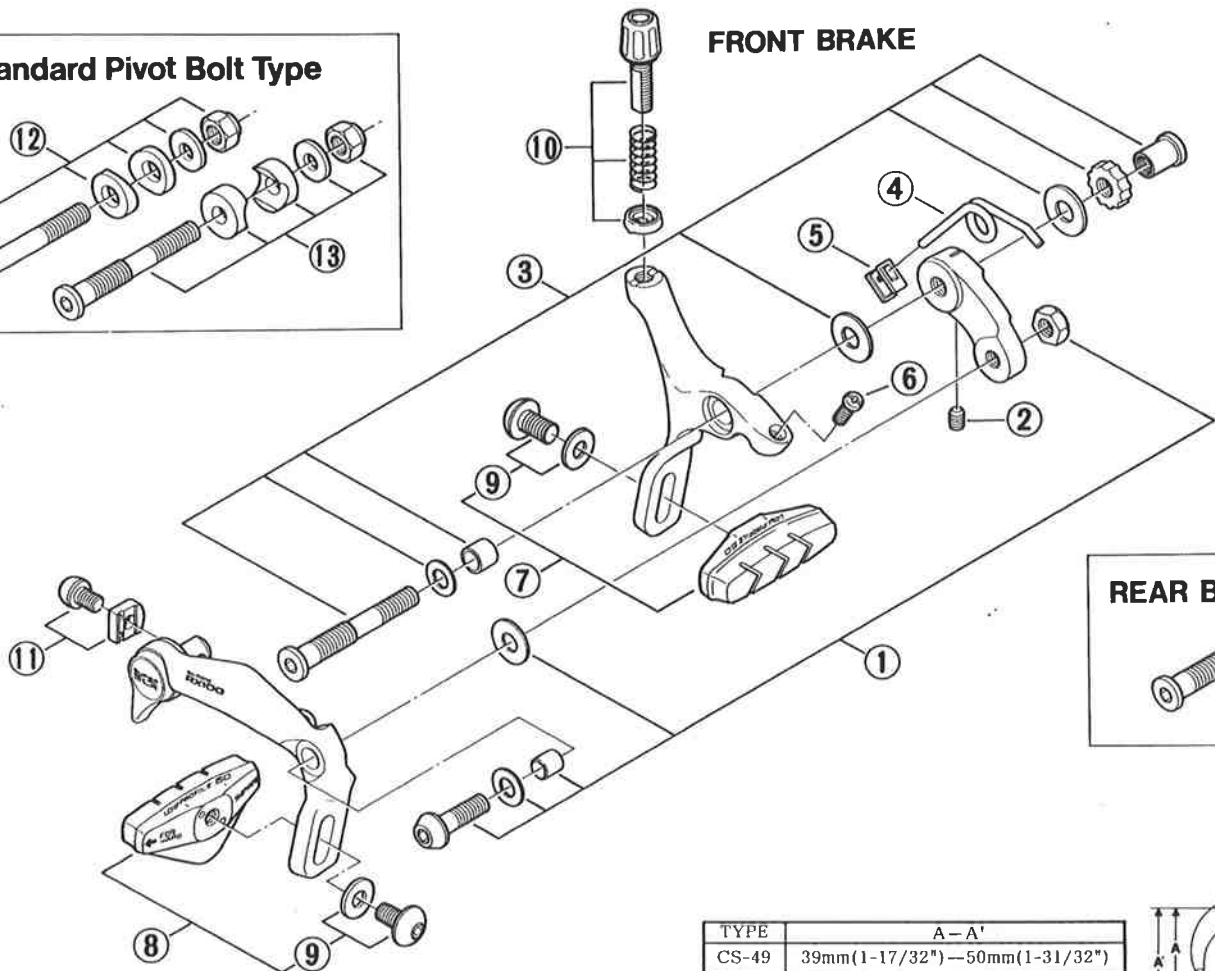
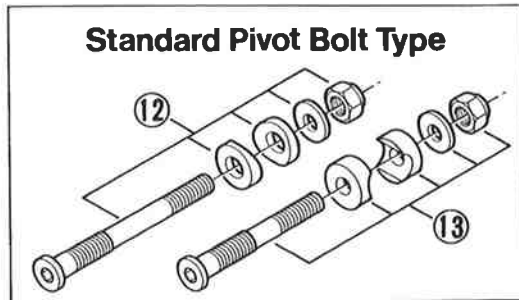




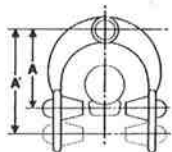
SHIMANO AMERICAN CORPORATION  
 One Shimano Drive, Irvine, California  
 U.S.A. 92718 Tel. (714) 951-5003

You may photocopy this sheet and use it as an order form.

**BR-A550-49** Caliper Brake SHIMANO RX100 / 49-Type  
**BR-A550-57** Caliper Brake SHIMANO RX100 / 57-Type



TYPE	A-A'
CS-49	39mm(1-17/32")—50mm(1-31/32")
CS-57	47mm(1-27/32")—58mm(2-9/32")

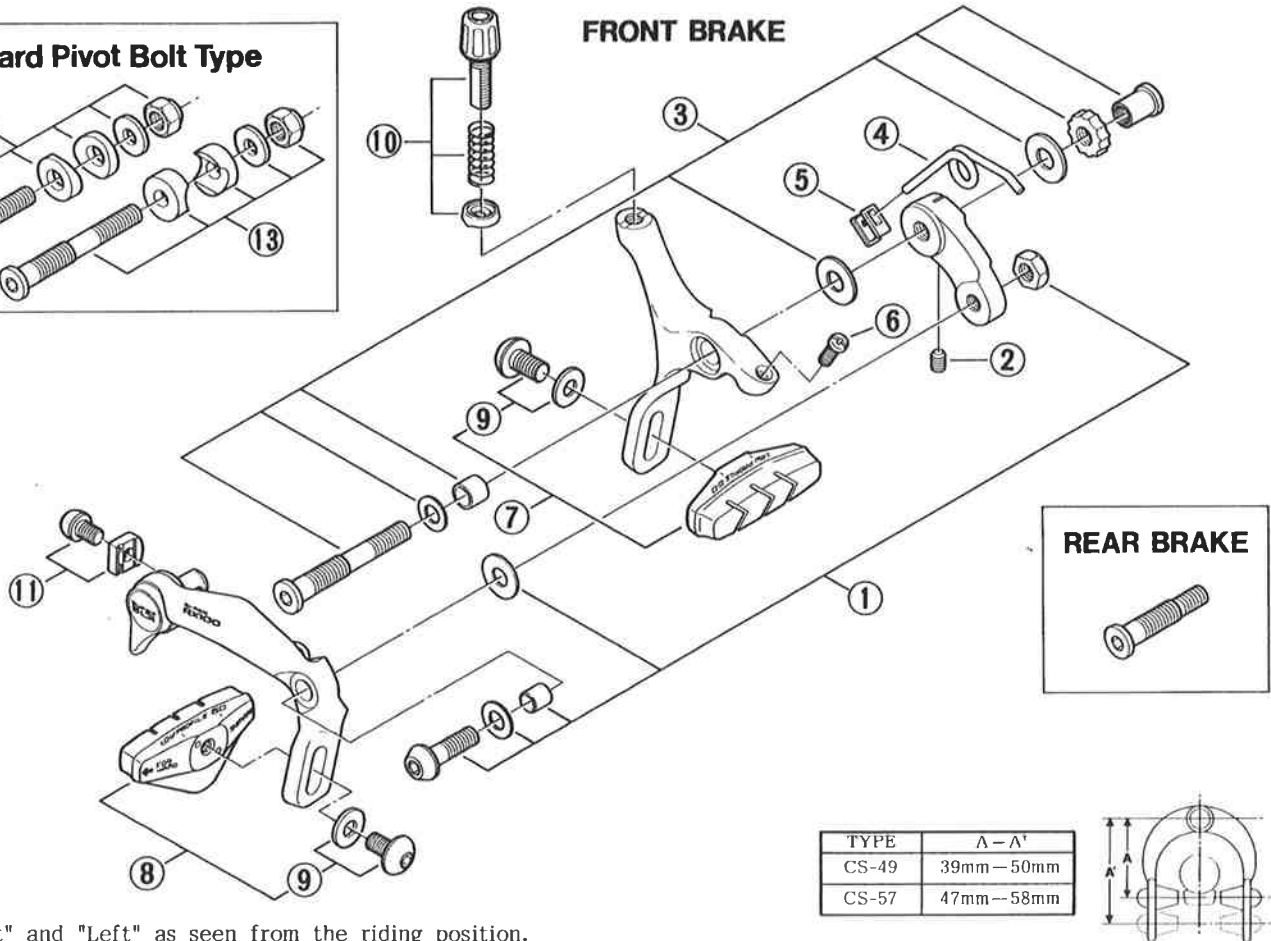
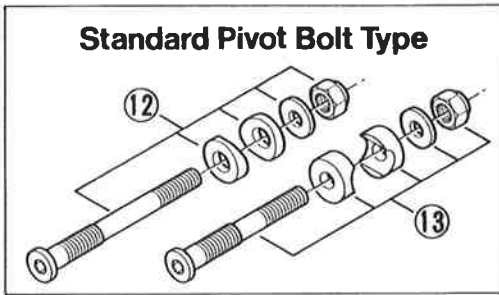


NOTE: "Right" and "Left" as seen from the riding position.

Q'TY	ITEM NO.	PART NO.	DESCRIPTION
	* 1	82B 9801	Arm Bolt Unit (M6x23.5)
	* 2	884 1400	Stopper Screw
	3	81U 9805	Pivot Bolt Assembly 50.4mm(2") for Front
		81U 9806	Pivot Bolt Assembly 35.7mm(1-13/32") for Rear
	4	81U 0900	Arm Return Spring for 49-Type
		81U 0920	Arm Return Spring for 57-Type
	* 5	81U 1700	Sleeve for 49-Type
		81J 1200	Sleeve for 57-Type
	* 6	81U 1000	EC-Screw (M4x11) for 49-Type
		81U 1010	EC-Screw (M4x12.5) for 57-Type
	7	—	Brake Shoe Assembly A (Right side for front brake or rear brake)
	8	—	Brake Shoe Assembly B (Left side for front brake or rear brake)
	7&8	82A 9803	Brake Shoe Assembly (4pcs. on card)
	9	82A 9804	Shoe Fixing Bolt (M6x11.2) & Washer
	10	81U 9803	Cable Adjusting Bolt Unit
	11	82A 9808	Cable Fixing Bolt (M5x8) & Plate
	12	82B 9803	Standard Pivot Bolt Unit 69.9mm(2-3/4") for Front
	13	82B 9808	Standard Pivot Bolt Unit 52.9mm(2-3/32") for Rear

- You may photocopy this sheet and use it as an order form.
- Sie können dieses Blatt kopieren und als Bestellformular verwenden.
- Vous pouvez photocopier cette feuille et l'utiliser comme bon de commande.
- Dit blad kan gecopieerd en als bestelformulier gebruikt worden.
- Potete fotocopiare questo foglio e usarlo come modulo di commissione.

**BR-A550-49** Caliper Brake SHIMANO RX100 / 49-Type  
**BR-A550-57** Caliper Brake SHIMANO RX100 / 57-Type



NOTE: "Right" and "Left" as seen from the riding position.

Q'TY	ITEM NO.	PART NO.	DESCRIPTION
	* 1	82B 9801	Arm Bolt Unit (M6x23.5)
	* 2	884 1400	Stopper Screw
	3	81U 9805	Pivot Bolt Assembly 50.4mm for Front
		81U 9806	Pivot Bolt Assembly 35.7mm for Rear
	4	81U 0900	Arm Return Spring for 49-Type
		81U 0920	Arm Return Spring for 57-Type
	* 5	81U 1700	Sleeve for 49-Type
		81J 1200	Sleeve for 57-Type
	* 6	81U 1000	EC-Screw (M4x11) for 49-Type
		81U 1010	EC-Screw (M4x12.5) for 57-Type
	7	—	Brake Shoe Assembly A (Right side for front brake or rear brake)
	8	—	Brake Shoe Assembly B (Left side for front brake or rear brake)
	7&8	82A 9901	Brake Shoe Assembly (5pair on card)
	9	82A 9804	Shoe Fixing Bolt (M6x11.2) & Washer
	10	81U 9803	Cable Adjusting Bolt Unit
	11	82A 9808	Cable Fixing Bolt (M5x8) & Plate
	12	82B 9803	Standard Pivot Bolt Unit 69.9mm for Front
	13	82B 9808	Standard Pivot Bolt Unit 52.9mm for Rear