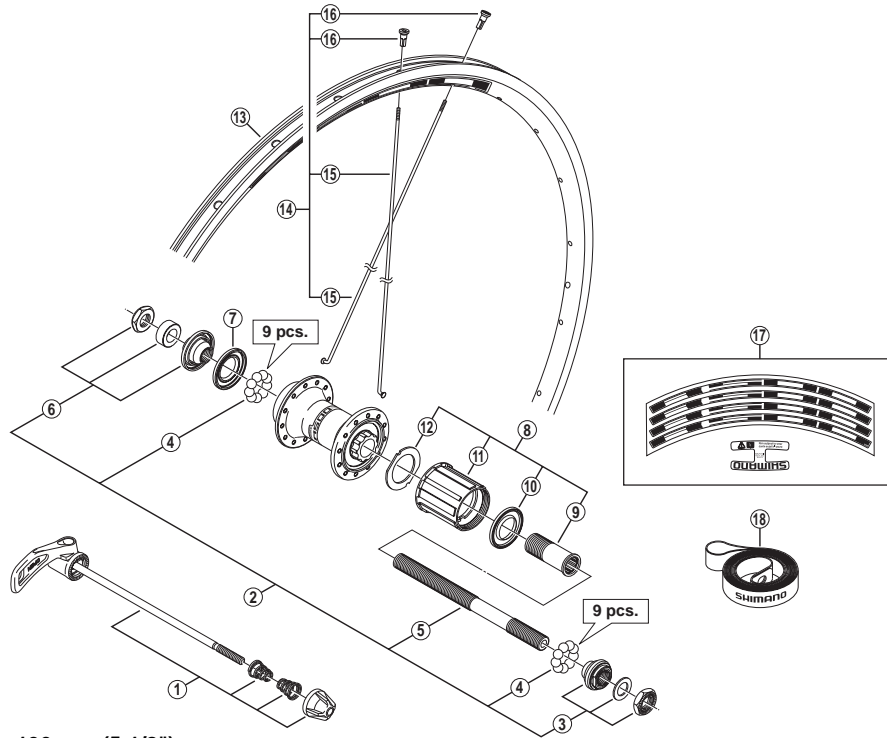


Rear Wheel (8/9/10-Speed)

WH-R501-R

WH-R501-A-R



• Over Lock Nut Dimension: 130 mm (5-1/8")

WH-R500-R
WH-R500-A-R

ITEM NO.	SHIMANO CODE NO.	DESCRIPTION	INTERCHANGEABILITY	
*	Y4SK98110	Complete Quick Release 163 mm (6-13/32") Black for WH-R501		
*	Y4SK98120	Complete Quick Release 168 mm (6-5/8") Black for WH-R501		
	Y4BG98220	Complete Quick Release 163 mm (6-13/32") Silver for WH-R501-A	A	A
	Y4BG98230	Complete Quick Release 168 mm (6-5/8") Silver for WH-R501-A	A	A
2	Y4SK98030	Complete Hub Axle 141 mm (5-9/16")	A	A
3	Y4SK98040	Right Hand Lock Nut Unit	A	A
4	Y00091310	Steel Ball (1/4") 18 pcs.	A	A
5	Y30K01100	Hub Axle M10 x 141 mm (5-9/16")	A	A
6	Y4SK98060	Left Hand Lock Nut Unit	A	A
7	Y3CR09000	Left Hand Seal Ring	A	A
8	Y4SK98070	Complete Freewheel Body	A	A
9	Y3BL03000	Body Fixing Bolt	A	A
10	Y3CR08000	Right Hand Seal Ring	A	A
11	Y4SK98080	Freewheel Body Unit	A	A
12	Y3AN10000	Freewheel Body Washer	A	A
13	EWHRIM2URDBC	Rim {24H / Black / Rim Sticker: Standard}	A	A
	EWHRIM2URBCM	Rim {24H / Black / Rim Sticker: Monotone}		
14	EWHSPOKEPB1	Spoke Unit for WH-R501 {Spoke (286 mm x 24 pcs.) / Nipple (24 pcs.)}		
	EWHSPOKEZB1	Spoke Unit for WH-R501-A {Spoke (286 mm x 24 pcs.) / Nipple (24 pcs.)}		
15	Y0123Z865	Spoke (286 mm) for WH-R501	A	
	Y0123Z865	Spoke (286 mm/Bladed type) for WH-R501-A		A
16	Y012Y4341	Nipple	A	A
	Y4SK98020	Rim Sticker Unit (Standard)		
	Y4SK98090	Rim Sticker Unit (Monotone)		
*	Y4SK98130	Rim Sticker Unit (Red)		
*	Y4SK98140	Rim Sticker Unit (Blue)		
*	Y4SK98150	Rim Sticker Unit (Orange)		
*	Y4SK98160	Rim Sticker Unit (Green)		
*	Y4SK98170	Rim Sticker Unit (Sky Blue)		
*	Y4SK98180	Rim Sticker Unit (High-Tech Grey)		
18	EWHRIMTAPERA	Rim Tape	A	A

A: Same parts.

B: Parts are usable, but differ in materials, appearance, finish, size, etc.

Absence of mark indicates non-interchangeability.

Jan.-2013-3266B

© Shimano Inc. I

Specifications are subject to change without notice.

SHIMANO