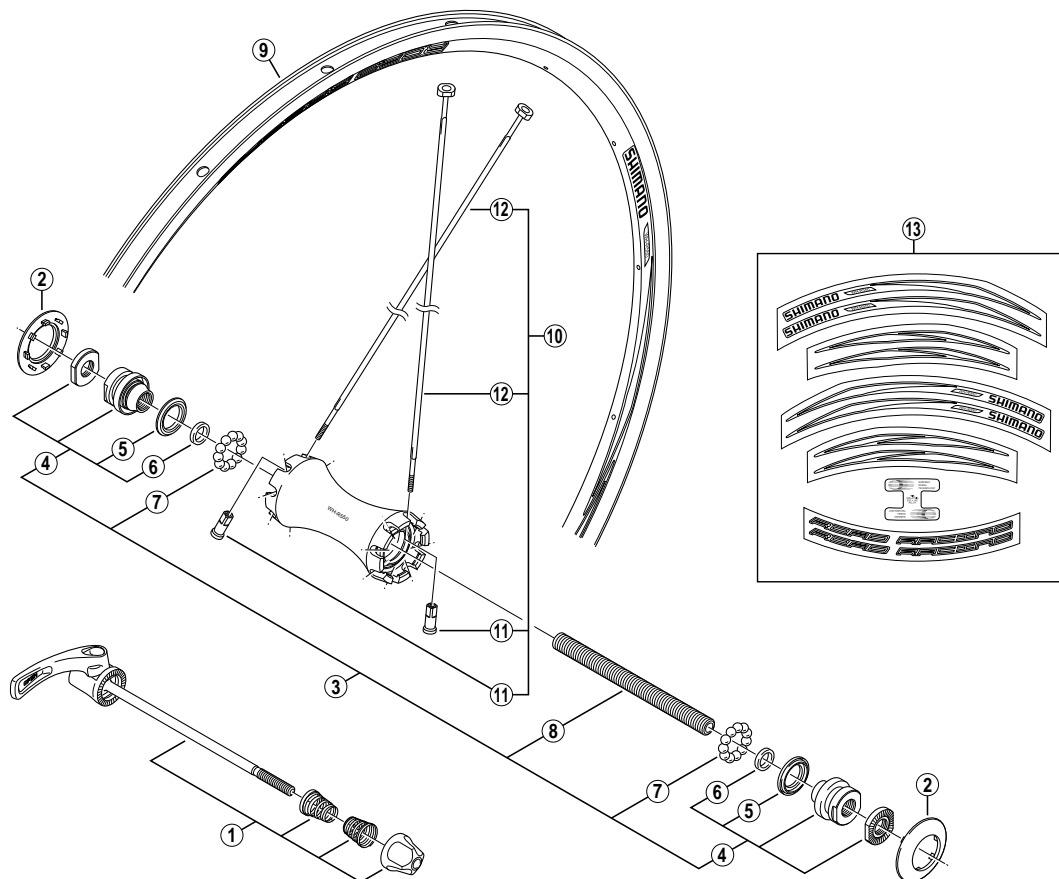


Front Wheel

WH-R550-L-F (EU spec.) Black Version

WH-R550-S-F (EU spec.) Silver Version



• Over Lock Nut Dimension: 100 mm (3-15/16")

ITEM NO.	SHIMANO CODE NO.	DESCRIPTION	INTERCHANGEABILITY
1	Y-22U 90110	Complete Quick Release 133 mm (5-1/4")	A
2	Y-4AC02000	Hub Cap	A
3	Y-4D4 98010	Complete Hub Axle 108 mm (4-1/4")	A
4	Y-4D4 98020	Lock Nut Unit	A
5	Y-214 06000	Seal Ring	A
6	Y-2T8 04000	O-Ring	A
7	Y-4BB98030	Steel Ball (3/16") 22 pcs.	A
8	Y-21C 03100	Hub Axle 108 mm (4-1/4")	A
9	E-WHRIMPFGACE	Rim for WH-R550-L {16H / Black / Anodized / Clincher}	
	E-WHRIMPFGACE	Rim for WH-R550-S {16H / Silver / Anodized / Clincher}	
10	E-WHSPOKERA1	Spoke Unit for WH-R550-L {Spoke (Black / 286 mm x 16 pcs.) / Spoke Washer (16 pcs.) / Nipple (16 pcs.)}	A
	E-WHSPOKERA2	Spoke Unit for WH-R550-S {Spoke (Silver / 286 mm x 16 pcs.) / Spoke Washer (16 pcs.) / Nipple (16 pcs.)}	A
11	Y-012 Z4200	Nipple	A
12	Y-4BE98130	Spoke (286 mm/Black) w/Washer for WH-R550-L	A
	Y-4BR98040	Spoke (286 mm/Silver) w/Washer for WH-R550-S	A
13	Y-4BE98170	Rim Sticker Unit for WH-R550-L	
	Y-4BE98180	Rim Sticker Unit for WH-R550-S	

A: Same parts.

B: Parts are usable, but differ in materials, appearance, finish, size, etc.
Absence of mark indicates non-interchangeability.

WH-R550

0610-2650

Specifications are subject to change without notice.

SHIMANO