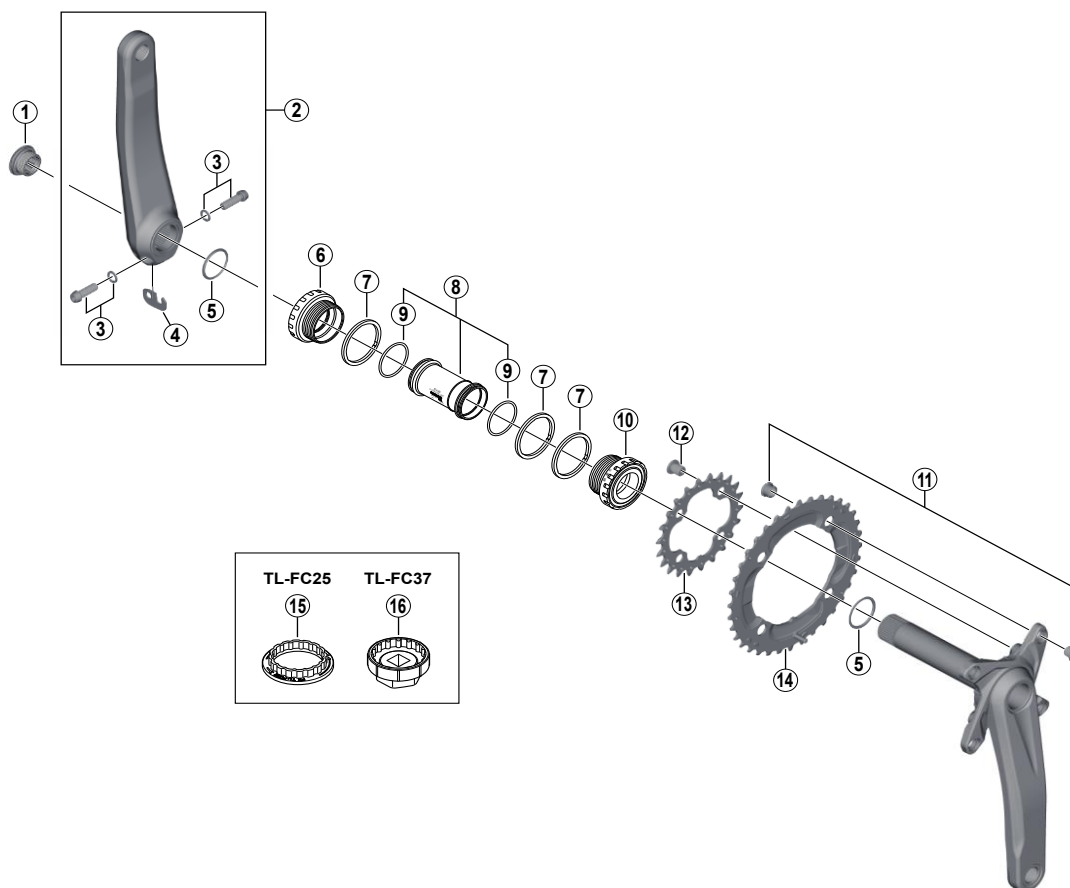


SLX Crankset FC-M677 BB-MT800



- Chaining teeth combinations: 36-22T / 38-24T
- Bolt circle diameter: 104 mm...(For outer gear), 64 mm...(For inner gear)

FC-M675

ITEM NO.	SHIMANO CODE NO.	DESCRIPTION	INTERCHANGEABILITY
1	Y1F811100	Crank Arm Fixing Bolt	A
2	Y1N998010	Left Hand Crank Arm Unit 170 mm	A
	Y1N998020	Left Hand Crank Arm Unit 175 mm	A
3	Y1KS98030	Clamp Bolt (M6 x 19) & Washer	A
4	Y1FU98120	Plate	A
5	Y1F316000	Ring	A
6	Y1V698010	Left Hand Adapter (B.C.1.37" x 24T) English Thread (BB-MT800)	B
7	Y1F813000	Spacer (2.5 mm)	A
8	Y1E598210	Inner Cover & O-Ring	A
9	Y1TF21000	O-Ring	A
10	Y1V698020	Right Hand Adapter (B.C.1.37" x 24T) English Thread (BB-MT800)	B
11	Y1NA98010	Outer Gear Fixing Bolt (M8 x 7 / 1 Unit = 4 pcs.) & Nut (1 Unit = 4 pcs.)	A
12	Y1NV98040	Inner Gear Fixing Bolt (M8 x 8.5 / 1 Unit = 4 pcs.)	A
13	Y1KF22000	Chaining 22T-AA/AC/AY	
	Y1NA24000	Chaining 24T-AM/AZ	
	Y1RM98010	Chaining 36T-AY	
14	Y1RM98010	Chaining 36T-AY	
	Y1RM98020	Chaining 38T-AZ	
15	Y13009260	TL-FC25 Adapter Installation Tool	
16	Y13009270	TL-FC37 Adapter Installation Tool	

A: Same parts.

B: Parts are usable, but differ in materials, appearance, finish, size, etc.

Absence of mark indicates non-interchangeability.

Specifications are subject to change without notice.

Jun.-2015-3911

© Shimano Inc. I

SHIMANO