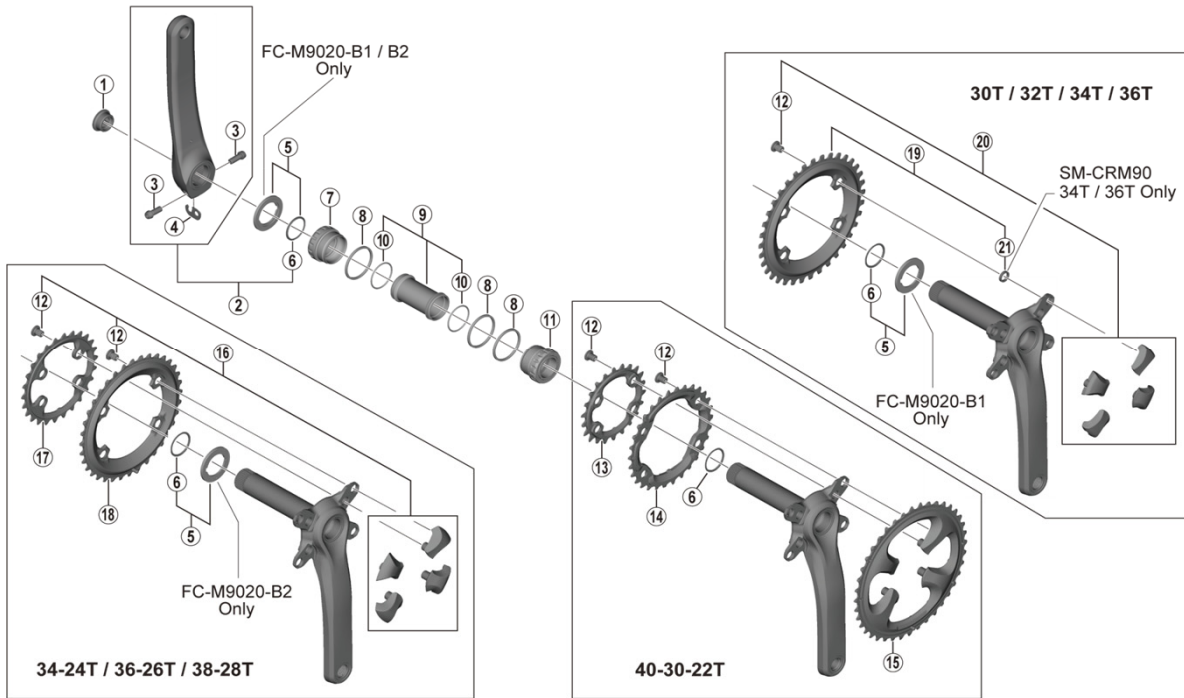


XTR Crankset

**FC-M9020 FC-M9020-B1/B2**  
**SM-BB93 SM-CRM90/CRM91**



- Chaining teeth combinations: 40-30-22T / 38-28T / 36-26T / 34-24T / 36T / 34T / 32T / 30T
- Bolt circle diameter: 96 mm...(For outer gear and middle gear), 64 mm...(For inner gear)

SM-BB90-A

ITEM NO.	SHIMANO CODE NO.	DESCRIPTION	INTERCHANGEABILITY
1	Y1LR13000	Crank Arm Fixing Bolt	
2	Y1PW98010	Left Hand Crank Arm 165 mm	
	Y1PW98020	Left Hand Crank Arm 170 mm	
	Y1PW98030	Left Hand Crank Arm 175 mm	
	Y1PW98040	Left Hand Crank Arm 180 mm	
3	Y1E512100	Clamp Bolt (M6 x 15)	
4	Y1GE98050	Plate	
5	Y1PW98070	Spacer & Ring	
6	Y1F316000	Ring	
7	Y1P898010	Left Hand Adapter (B.C.1.37" x 24T) English Thread (SM-BB93)	B
8	Y1P804000	Spacer (2.5 mm)	
9	Y1LR98090	Inner Cover & O-Ring	A
10	Y1TF21000	O-Ring	A
11	Y1P898020	Right Hand Adapter (B.C.1.37" x 24T) English Thread (SM-BB93)	B
12	Y1PV98102	Gear Fixing Bolt (M7 x 8.5 / 4 pcs.)	
13	Y1PW22000	Chaining 22T-AR for 40-30-22T	
14	Y1PW98050	Chaining 30T-AR for 40-30-22T	
15	Y1PW98060	Chaining 40T-AR for 40-30-22T	
16	Y1PV98201	Chaining Fixing Parts & Fixing Bolt (8 pcs.) Set for Double 38-28T / 36-26T / 34-24T	
	Y1PV24000	Chaining 24T-AS for 34-24T	
	Y1PV26000	Chaining 26T-AT for 36-26T	
	Y1PV28000	Chaining 28T-AW for 38-28T	
17	Y1PV98040	Chaining 34T-AS for 34-24T	
	Y1PV98050	Chaining 36T-AT for 36-26T	
	Y1PV98060	Chaining 38T-AW for 38-28T	
	ISMCRM90A0	Chaining 30T (SM-CRM90)	
18	ISMCRM90A2	Chaining 32T (SM-CRM90)	
	ISMCRM90A4	Chaining 34T (SM-CRM90) w/Gear Spacer	
	ISMCRM90A6	Chaining 36T (SM-CRM90) w/Gear Spacer	
	ISMCRM91A0	Chaining 30T (SM-CRM91)	
	ISMCRM91A2	Chaining 32T (SM-CRM91)	
	ISMCRM91A4	Chaining 34T (SM-CRM91)	
19	ISMCRM91A6	Chaining 36T (SM-CRM91)	
	Y1PV98101	Chaining Fixing Parts & Fixing Bolt (4 pcs.) Set for Single 36T / 34T / 32T / 30T	
	Y1PV98030	Gear Spacer (4 pcs.) for 34T / 36T Only	

A: Same parts.

B: Parts are usable, but differ in materials, appearance, finish, size, etc.

Absence of mark indicates non-interchangeability.

Specifications are subject to change without notice.

Jul.-2019-3776E

© Shimano Inc. I

**SHIMANO**