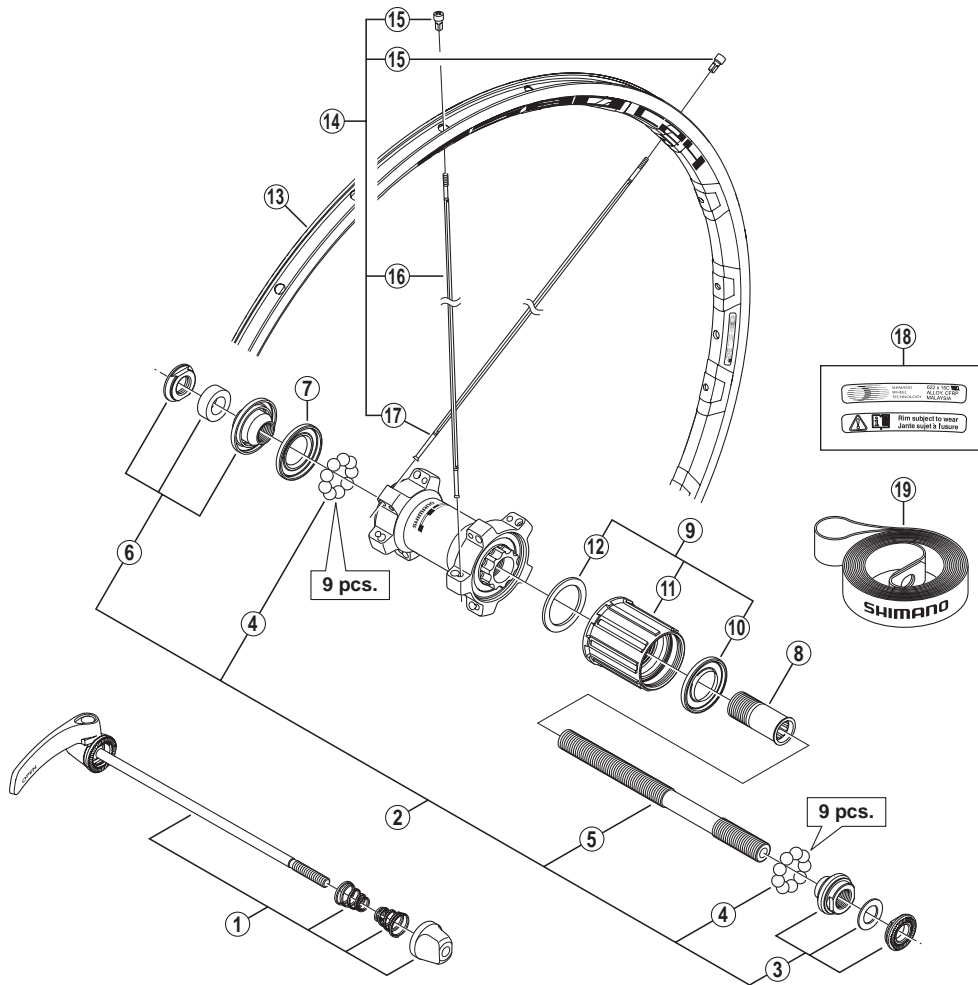


Rear Wheel

WH-RS80-A-C24-R 8/9/10-Speed



• Over Lock Nut Dimension: 130 mm (5-1/8")

ITEM NO.	SHIMANO CODE NO.	DESCRIPTION	INTERCHANGEABILITY			
			WH-RS10-A	WH-RS20-A	WH-RS30-A	WH-RS80-C50-CL
1	Y4F898040	Complete Quick Release 163 mm (6-13/32")	A	A	A	A
	Y4GW98060	Complete Quick Release 168 mm (6-5/8")	A	A	A	A
2	Y4GW98070	Complete Hub Axle 141 mm (5-9/16")	B	B	B	A
* 3	Y4GW98110	Right Hand Lock Nut Unit	B	B	B	A
4	Y00091310	Steel Ball (1/4") 18 pcs.	A	A	A	A
5	Y30K01100	Hub Axle M10 x 141 mm (5-9/16")	A	A	A	A
6	Y4GW98080	Left Hand Lock Nut Unit	B	B	B	A
7	Y3CR09000	Left Hand Seal Ring	A	A	A	A
* 8	Y3BL03000	Body Fixing Bolt	B	B	B	A
9	Y4DV98110	Complete Freewheel Body	A	A	A	A
10	Y3CR08000	Right Hand Seal Ring	A	A	A	A
11	Y4DV98120	Freewheel Body Unit	A	A	A	A
12	Y37504000	Freewheel Body Washer	A	A	A	A
13	EWHRIM2NRECC	Rim {20H}				
* 14	EWHSPOKE2PB1	Spoke Unit {Spoke (302 mm x 10 pcs. & 302 mm x 10 pcs.) / Nipple (20 pcs.)}				
15	Y012Z4075	Nipple	B	B	A	B
16	Y012AD027	Right Hand Spoke (302 mm)				
17	Y012AG027	Left Hand Spoke (302 mm)				
18	Y4GP98010	Rim Sticker Unit				A
19	EWHRIMTAPERA	Rim Tape	A	A	A	A

A: Same parts.

B: Parts are usable, but differ in materials, appearance, finish, size, etc.

Absence of mark indicates non-interchangeability.

Apr.-2012-3270A

© Shimano Inc. I

Specifications are subject to change without notice.

SHIMANO