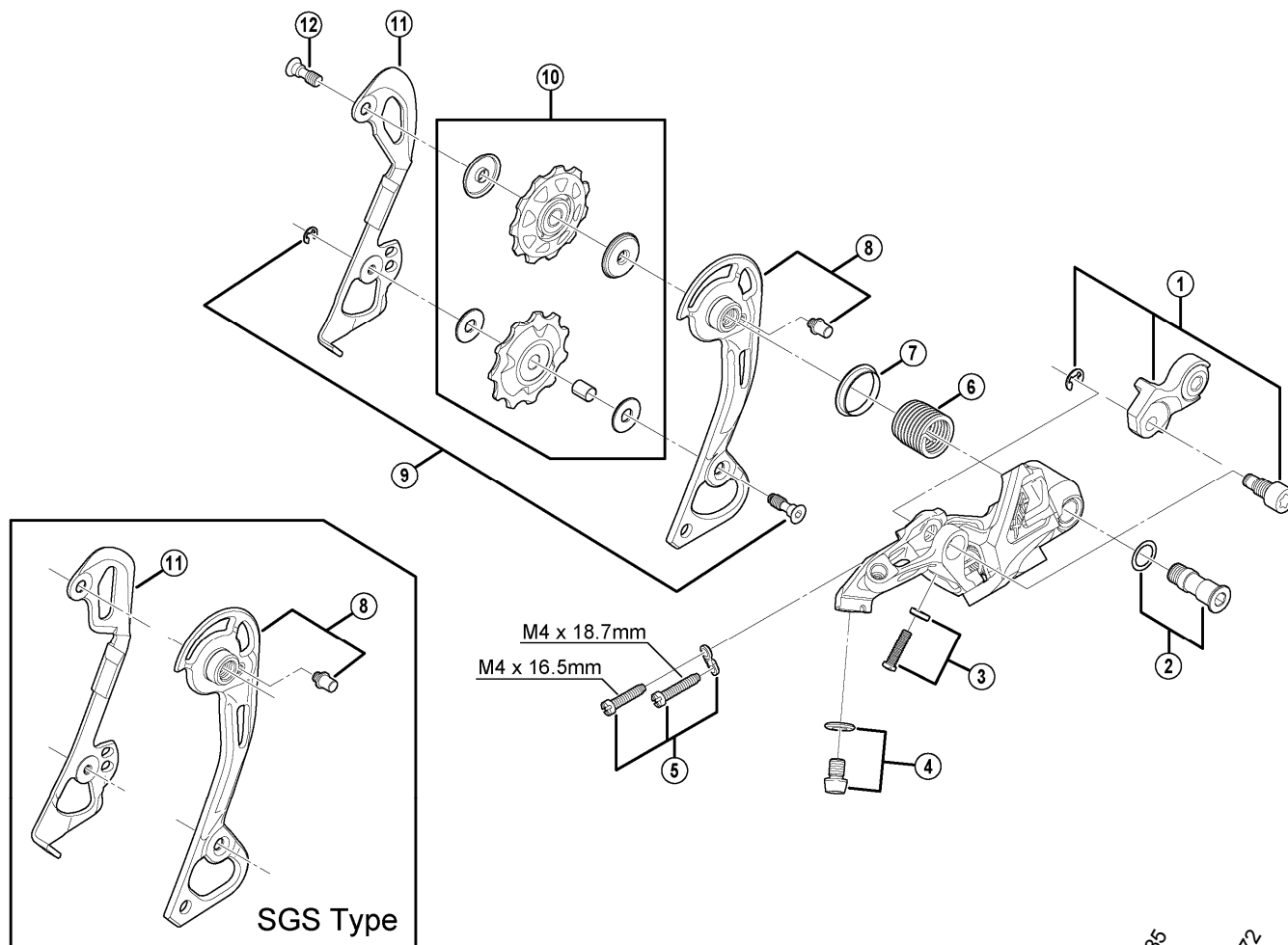


XTR Rear Derailleur

RD-M980 (GS) Long Cage

RD-M980 (SGS) Super Long Cage



RD-M985

RD-M972

ITEM NO.	SHIMANO CODE NO.	DESCRIPTION	INTERCHANGEABILITY		
* 1	Y5XD98130	Bracket Axle Unit	A		
2	Y5XC98030	P-Axle Assembly			
3	Y5XC98040	B-Tension Adjusting Screw (M4 x 15.1) & Plate	A		
4	Y5XC98050	Cable Fixing Bolt (M6 x 8) & Plate	A		
5	Y5WJ98020	Adjusting Screws & Plate	A	A	
6	Y5WJ27000	P-Tension Spring		A	
7	Y5UC14000	P-Seal Ring		A	
8	Y5XC98060	Outer Plate Assembly (GS-Type)			
	Y5XC98070	Outer Plate Assembly (SGS-Type)			
9	Y5XC98100	Tension Pulley Bolt & Stop Ring	A		
10	Y5XC98110	Guide & Tension Pulley Unit	A		
11	Y5XC09000	Inner Plate (GS-Type)	A		
	Y5XC10000	Inner Plate (SGS-Type)	A		
12	Y5WJ21000	Guide Pulley Bolt	A	A	

A: Same parts.

B: Parts are usable, but differ in materials, appearance, finish, size, etc.

Absence of mark indicates non-interchangeability.

Apr.-2012-3085A

© Shimano Inc. A

Specifications are subject to change without notice.

SHIMANO