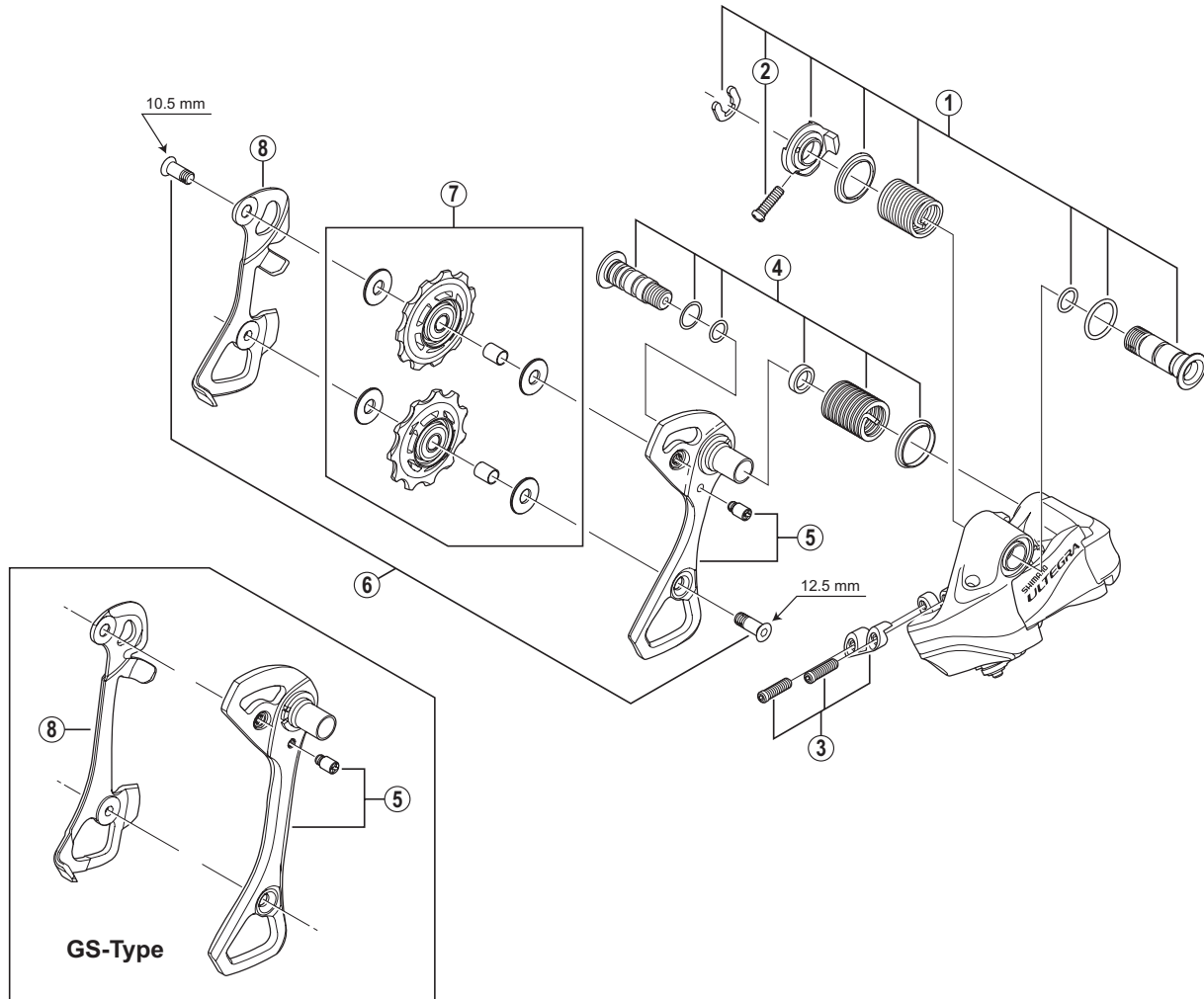


ULTEGRA Rear Derailleur (11-speed)
RD-6870 (SS/GS) Short Cage/Long Cage



RD-6800

ITEM NO.	SHIMANO CODE NO.	DESCRIPTION	INTERCHANGEABILITY
1	Y5YC98010	B-Axle Assembly	A
2	Y55625080	B-Tension Adjusting Screw (M4 x 13.5)	A
3	Y5YD98010	Stroke Adjusting Bolts & Plate	
4	Y5YD98020	Plate Axle Assembly (SS-type)	
	Y5YD98030	Plate Axle Assembly (GS-type)	
5	Y5YC98070	Outer Plate & Plate Stopper Pin (SS-type)	A
	Y5YC98080	Outer Plate & Plate Stopper Pin (GS-type)	A
6	Y5X998070	Pulley Bolt 10.5mm & 12.5mm	A
7	Y5YC98110	Tension & Guide Pulley Set	A
8	Y5XH08000	Inner Plate (SS-type)	A
	Y5YC25000	Inner Plate (GS-type)	A

A: Same parts.

B: Parts are usable, but differ in materials, appearance, finish, size, etc.
 Absence of mark indicates non-interchangeability.

Feb.-2014-3641A
 © Shimano Inc. I

Specifications are subject to change without notice.

SHIMANO