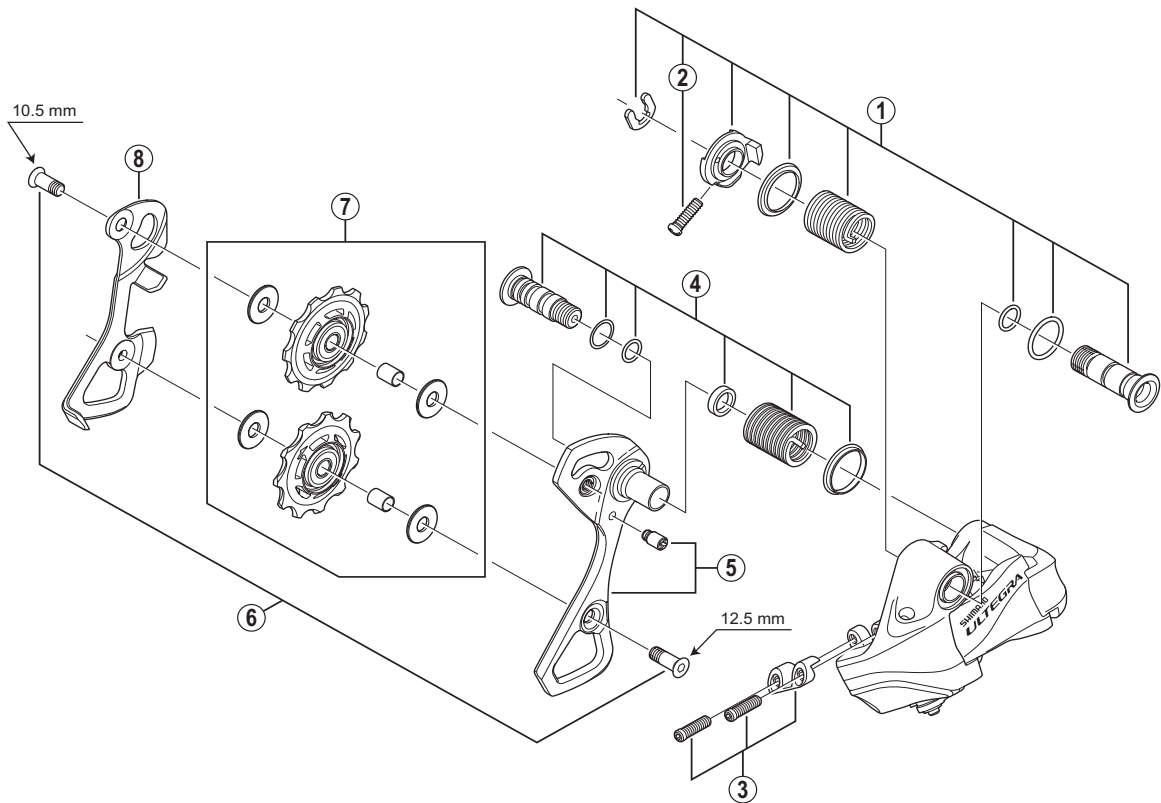


ULTEGRA Rear Derailleur (10-speed)
RD-6770-A (SS)



RD-6870

ITEM NO.	SHIMANO CODE NO.	DESCRIPTION	INTERCHANGEABILITY
1	Y5YC98010	B-Axle Assembly	A
2	Y55625080	B-Tension Adjusting Screw (M4 x 13.5)	A
3	Y5YD98010	Stroke Adjusting Bolts & Plate	A
4	Y5YD98020	Plate Axle Assembly	A
5	Y5YC98070	Outer Plate & Plate Stopper Pin	A
6	Y5X998070	Pulley Bolt 10.5 mm & 12.5 mm	A
7	Y5YC98110	Tension & Guide Pulley Set	A
8	Y5XH08000	Inner Plate	A

A: Same parts.

B: Parts are usable, but differ in materials, appearance, finish, size, etc.

Absence of mark indicates non-interchangeability.

Specifications are subject to change without notice.

Dec.-2015-4116

© Shimano Inc. I

SHIMANO